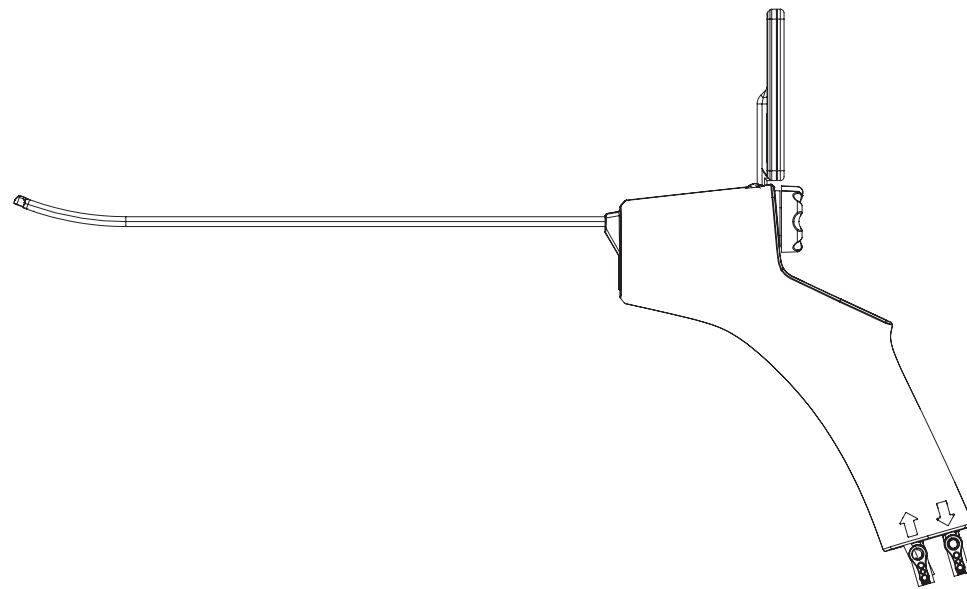




LiNA OperåScope™



Innovation in Gynecology

R Only



STERILE EO
(Device)

STERILE R

CE
0459



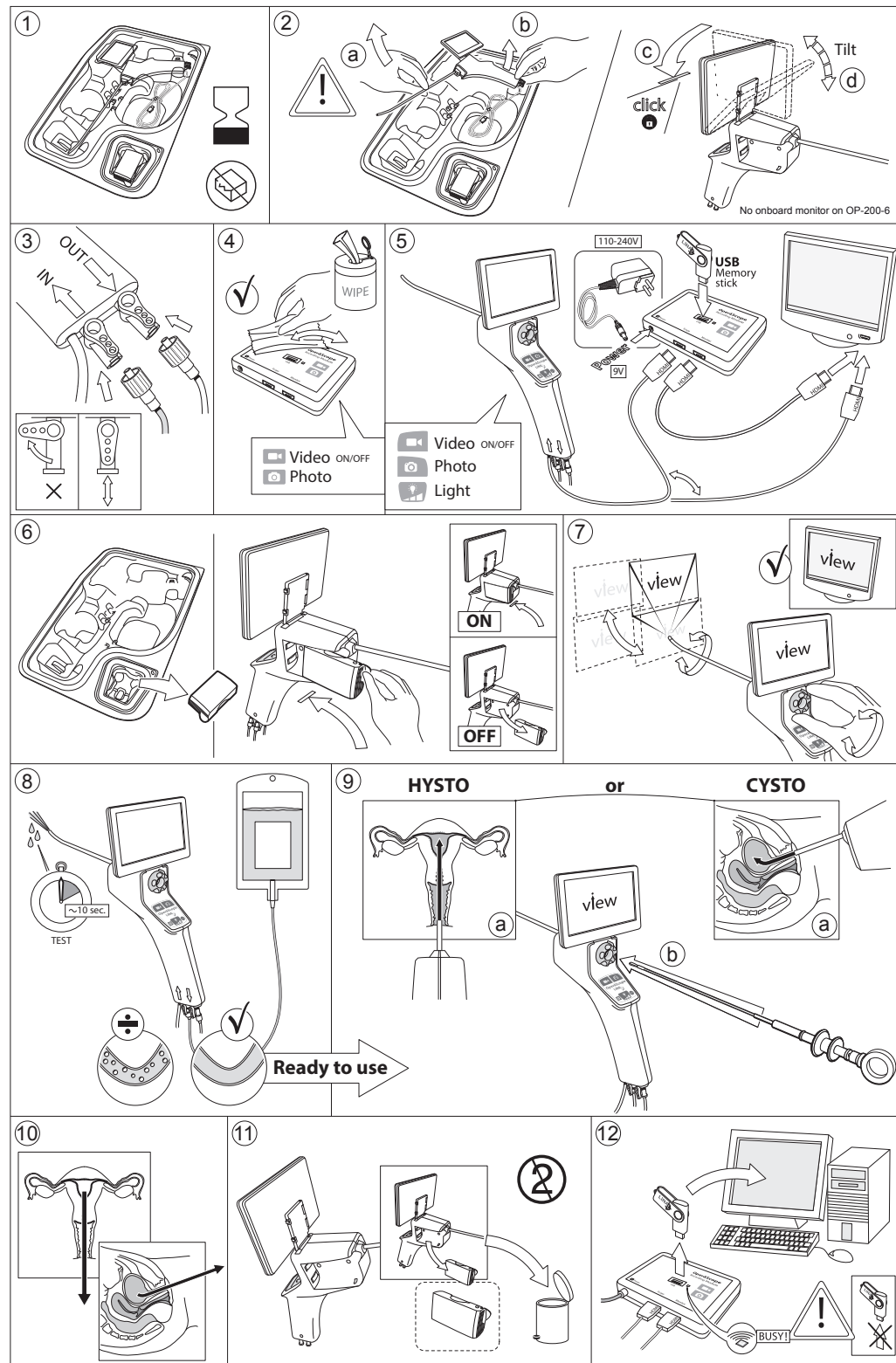
LiNA OperåScope™

REF OP-201-6-I, OP-RM-1-UK, OP-RM-1-EU, OP-RM-1-AUS



LiNA OperåScope™

REF OP-201-6-I, OP-RM-1-UK, OP-RM-1-EU, OP-RM-1-AUS



en

INTENDED USE:

LiNA OperåScope™ for Hysteroscopy:

The LiNA OperåScope™ is intended for use in visualization of the cervical canal and uterine cavity during diagnostic and therapeutic gynecological procedures.

LiNA OperåScope™ for Cystoscopy:

The LiNA OperåScope™ is intended for use in visualization of the female urethra and the bladder cavity during diagnostic and therapeutic cystoscopic procedures.

PATIENT POPULATION:

Adolescent or older patients with diagnostic and therapeutic gynecological procedures that require visualization of the cervical canal and uterine cavity.

Adolescent or older female patients with diagnostic and therapeutic cystoscopy procedures that require visualization of the urethra and bladder cavity.

The types of procedures where the LiNA OperåScope™ could offer visualization include:

- Hysteroscopy:
 - Assessment of abnormal bleeding, pelvic pain, amenorrhea and abnormal findings from hysterosalpingogram;
 - Assessment of infertility and pregnancy wastage;
 - Confirmation of the presence of intrauterine foreign body;
 - Assist in locating submucosal fibroids and polyps targeted for removal;
 - Provide visual guidance during directed biopsy, polypectomy, submucosal myomectomy, transection of intrauterine adhesions and septa.
- Cystoscopy:
 - The LiNA OperåScope™ permits viewing of the female urinary bladder through a minimally invasive approach by utilizing natural orifices to access the diagnostic site.
 - Furthermore provides visual guidance during following diagnostic and therapeutic procedures: assessment of recurrent Urinary Tract Infections (UTI's), pelvic pain, difficulties in urinating, urinary incontinence, directed biopsy, removal of polyps and bladder stones, Botulinum toxin injections (e.g. Botox), insertion and/or removal of urinary stents, Inspection of the bladder and urethra for injury and assessment for ureteral patency.

PRODUCT DESCRIPTION:

The LiNA OperåScope™ is a single-use battery operated scope with a cannula and LCD display with a 3m HDMI cable attached to the handle. The LiNA OperåScope™ is provided sterile via ethylene oxide and the battery pack is provided sterile via radiation.

The 4.2 mm (nominal) diameter cannula contains a miniature camera and LED illumination at the distal tip, and a pre-curved tip section of the cannula is rotated by a turning knob (Figure 7) on the handle. The center of this turning knob is the insertion channel for introduction of instruments/accessories up to 1.86 mm (5.5 Fr) nominal in diameter; and 310mm minimum working length. Distention and flushing of the uterine/bladder cavity with distention medium is facilitated with separate in-flow and out-flow luer lock stopcocks at the bottom of the handle. The HDMI cable at the bottom of the handle can be connected to an external monitor with HDMI input, or alternatively connected to the LiNA OperåScope™ Recording Module for recording of video or pictures to a standard USB drive (Please observe to have free storage capacity on the USB drive).

During operation, visualization can be optimized by adjusting the brightness (illumination). The brightness is controlled by brightness button (Figure 5) located on the handle. The default setting is at maximum brightness.

In addition to the LiNA OperåScope™, the LiNA OperåScope™ Recording Module (Figure 4) is available to capture both still and video images for later viewing. The LiNA OperåScope™ Recording Module is provided nonsterile and designed to be connected to the LiNA OperåScope™ HDMI cable. The LiNA OperåScope™ Recording Module is not intended to come in contact with the sterile field or the patient.

The LiNA OperåScope™ and Recording Module are to be used under ambient conditions and stored under room temperature and dry conditions.

Environmental conditions during transportation and storage

Temperature 0°C to +55°C
Air humidity 10% to 90%
Atmospheric pressure 70 kPa to 106 kPa

Environmental conditions during use:

Temperature +10°C to +40°C
Air humidity 35% to 75%
Atmospheric pressure 70 kPa to 106 kPa

ACCESSORIES:

The following accessories can be used with the LiNA OperåScope™:

- LiNA OperåScope™ Recording Module,
- Commercially available fluid management tubing with a male luer lock,
- Commercially available instruments/accessories for diagnostic/therapeutic use.

CONTRAINDICATIONS:

The device is contraindicated for Hysteroscopy use in:

- Inability to distend the uterus,
- Cervical Stenosis,
- Cervical/Vaginal infection,
- Uterine bleeding or menses,
- Known Pregnancy,
- Known carcinoma of the cervix and/or the uterus,
- Recent uterine perforation,
- Known Pelvic Inflammatory Disease (PID),
- Medical contraindication or intolerance to anesthesia.

The device is contraindicated for Cystoscopy use in:

- Known Pelvic Inflammatory Disease (PID),
- Acute/known Urinary Tract Infections,
- Severe Coagulopathy.

WARNINGS:

Failure to follow all instructions or any warnings or precautions could result in serious patient injury.

- The LiNA OperåScope™ is provided STERILE via ethylene oxide (LiNA OperåScope™) and radiation sterilization (Battery). Carefully inspect the packaging for any damage prior to use. Do NOT attempt to use the device if sterile barrier is damaged. Do NOT use past expiration date. Do NOT use if the device is exposed to non-sterile surfaces before procedure.
- Low light intensity at the lowest available setting may limit visualization and be unsuitable for surgical procedures. Device operators should check that the light intensity range is suitable for the planned procedure prior to use.
- Do not advance the LiNA OperåScope™ should resistance be experienced while in the patient.
- Do not attempt to alter the shape of the distal cannula.
- For single use only. Do NOT reuse, reprocess or re-sterilize the LiNA OperåScope™. Any reprocessing may impede the function of this device. Reusing single use devices may also increase the risk of cross contamination. Attempts to clean the device results in risk of device malfunction and/or erroneous pathology specimen collection due to residual tissue in the LiNA OperåScope™.
- Do not remove the battery during the treatment process.
- Always have a backup device readily available for immediate use.
- For use only with the batteries provided with each LiNA OperåScope™ device – batteries are identified as AA Energizer alkaline batteries in a dedicated battery pack for the LiNA OperåScope™.
- LiNA OperåScope™ is designed with 60 minutes of battery life.
- If any malfunction should occur during use or battery life expires, stop the procedure immediately, and slowly withdraw the LiNA OperåScope™ and replace with a new LiNA OperåScope™.
- Portable RF communication equipment (including peripherals such as antenna cables and external antennas) should not be used within 30 cm (12 inches) of the LiNA OperåScope™, as degradation of LiNA OperåScope™ performance could result.

en

- Use of accessories, transducers and cables other than those specified could result in a change in electromagnetic properties resulting in potential improper operation.
- Use of the LiNA OperåScope™ equipment adjacent to other equipment should be avoided because it could result in improper operation. If such use is necessary, this equipment and the other equipment should be observed to verify that they are operating normally.
- Avoid submersing the LiNA OperåScope™ handle, battery, HDMI port and/or LCD screen in a fluid bath. Should the LiNA OperåScope™ be submerged, ensure the LiNA OperåScope™ is dried off and remains operational before clinical use. If the LiNA OperåScope™ is nonoperational, replace with a new device.
- To mitigate the risk of perforation, only advance/manipulate the LiNA OperåScope™ while viewing a live camera image and illumination.
- Hysteroscopy procedures using the LiNA OperåScope™ should be performed only by medical professional who have adequate training in hysteroscopy.
- Cystoscopy procedures using the LiNA OperåScope™ should be performed only by medical professional who have adequate training in Cystoscopy.
- A liquid distension medium is used and strict fluid intake and output surveillance should be maintained. Intrauterine instillation exceeding 1 liter should be followed with great care to reduce the possibility of fluid overload.

PRECAUTIONS:

Potential general complications with use of LiNA OperåScope™

Before each use or after a change of LiNA OperåScope™ settings, check to ensure LiNA OperåScope™ view provides a live image (rather than a stored one) and has the correct image orientation.

If a continuous flush/irrigation during LiNA OperåScope™ operation is not maintained, the distal tip operating temperature may exceed 41°C (105.8°F).

While the LiNA OperåScope™ Recording Module is connected to the LiNA OperåScope™, ensure that the power supply unit is easily accessible if power should need to be disconnected.

Ensure the LiNA OperåScope™ Recording Module and monitor are outside of the patient's reach.

Potential complications of Continuous Flow Hysteroscopy/Cystoscopy:

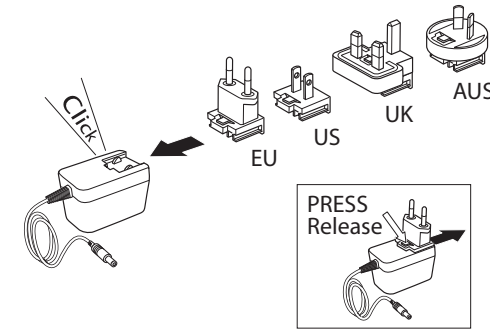
- Hyponatremia,
- Hypothermia,
- Uterine perforation/false passage resulting in possible injury to bowel, bladder, major blood vessels and ureter,
- Bladder perforation/false passage resulting in possible injury to bowel, uterus, major blood vessels and ureter,
- Pulmonary edema,
- Cerebral edema,
- Infection,
- Bleeding,
- Pain,
- Vasovagal episodes,
- Urethral trauma (Cystoscopy specific).

The use of normal saline as a distending medium, and limiting the infused volume to less than 1000 ml is recommended to decrease the risk of the above complications. Intrauterine distension can usually be accomplished with pressures in the range of 35 - 75 mmHg. Unless the systemic blood pressure is excessive, it is seldom necessary to use pressures greater than 75-80 mmHg.

INSTRUCTION FOR USE:

Read the instruction for use prior to using this device!

1. Carefully inspect the packaging for any damages prior to use. Do NOT attempt to use the device if the sterile barrier is damaged. Do NOT use past expiration date.
2. Using sterile technique, remove the LiNA OperåScope™ from the sterilized blister (Figure 2).
3. Attach the in-flow fluid tubing to the inflow port and the out flow tubing to the outflow port (Figure 3).
4. LiNA OperåScope™ can be connected via HDMI cable to an external monitor or the Recording Module.
Note: Prior to using the LiNA OperåScope™ Recording Module, ensure to affix the wall plug relevant for the local wall sockets and the unit is plugged in and green power light is illuminated.



5. Remove the battery from the sterilized blister and insert the battery into the LiNA OperåScope™ handle (Figure 6).
6. The light source at the distal tip of the cannula will illuminate and the camera image should be visible on the onboard LCD. If illumination or camera image is not functional, discontinue setup and open a new LiNA OperåScope™ (Figure 7).
7. Flush the fluid through the cannula until all air bubbles have cleared from the tubing (Figure 8).
8. The LiNA OperåScope™ is now ready for use.
9. With fluid flowing, the cannula is inserted through the cervical canal or Urethra while viewing the image, as is standard procedure for introduction of LiNA OperåScope™ (Figure 9).
10. If picture or video recording is desired, insert a USB memory stick into the LiNA OperåScope™ Recording Module and make sure the HDMI cable is connected from the LiNA OperåScope™. Both the LiNA OperåScope™ handle and Recording Module have picture and video capture buttons. Press and release the picture button to capture a still image. Press and release video button to start recording; press and release the video button again to stop recording (Figure 5).
Note: When the LiNA OperåScope™ Recording Module is busy the LED will be flashing blue.
11. The LiNA OperåScope™ has central lumen located within the turning knob of the handle (Figure 9) and provides a conduit to delivery diagnostic and therapeutic instruments/accessories to the uterine or bladder cavity. Instruments/accessories within the following dimensions are compatible with the LiNA OperåScope™ central lumen:
 - Maximum outer diameter: 1.86 mm (5.5 Fr)
 - Minimum useable length: 310 mm
12. After the procedure is completed, remove the LiNA OperåScope™ (Figure 10).
13. Remove the battery pack and dispose of the battery. The device may now be safely disposed in accordance with local governing ordinances (Figure 11).
14. Remove USB stick from LiNA OperåScope™ Recording Module and transfer the recordings to a computer using a USB port (Figure 12).

Technical specification for LiNA OperåScope™

| | |
|-------------------------------|--|
| Nominal input voltage: | 3V DC ±10% |
| Nominal Current: | 330mA ±20% |
| Battery type: | 2pcs AA 1.5V Energizer Alkaline (Non-rechargeable) |
| Operating time: | ≤60 minutes |
| Camera resolution: | 400x400 pixel |
| Diagonal size of LCD display: | 4.3 Inch |
| Minimum usable length: | 240mm |
| Pre-fixed tip angle: | 20° ±5° |

Shelf Life Conditions

The shelf life for LiNA OperåScope™ is 36 months. The test units were then subjected to simulated shipment conditions per ASTM D4169, Cycle 13, assurance level 1. All units were inspected and subjected to design verification testing and met all acceptance criteria.



LiNA OPERÅSCOPE™ RECORDING MODULE:

The LiNA OperåScope™ Recording Module power supply is prepared according to the above bullet 4 in Instructions for use. The different ref. numbers refers to the relevant socket.

- OP-RM-1-EU (for use in most EU countries – socket type C)
- OP-RM-1-UK (for use in UK and other countries using socket type G)
- OP-RM-1-AUS (for use in Australia and other countries using socket type I)

Download of Video/Still Imagery Files Post Procedure

Video and still imagery can be downloaded from the LiNA OperåScope™ via the LiNA OperåScope™ Recording Module USB and imported into the patient's medical record. Since there is no patient identifying information on the video/still imagery file, the downloaded file should be uploaded and saved to the patient's medical record immediately post procedure ensuring the proper link between the file and the patient.

Playback of recorded Video/Still images on computer

Step 1

Insert the USB-stick into the computer USB port.

Step 2

Download and install some supplement codec software for Windows Media Player such as Media Player Codec Pack.

Step 3

Click "Start" in Windows and select the folder in which your MPEG 4 file is located, such as My Videos or My Downloads.

Step 4

Right-click on the video and select "Open With." Choose "Windows Media Player" from the available options to begin playing your video/Images.

Note: The LiNA OperåScope™ Recording Module should be disposed according to local regulations as being electronic waste.

Post Procedure Cleaning

The LiNA OperåScope™ Recording Module is intended to be used outside the sterile field and away from the patient. While the LiNA OperåScope™ Recording Module is not intended to come in direct contact with patient, the device can be exposed to body fluids and/or blood as it is used in the operating room during patient treatment.

After each patient use, the following cleaning/disinfecting instructions to ensure proper cleaning of the external components.



DO NOT SUBMERGE LiNA OPERÅSCOPE™ RECORDING MODULE.

DURING CLEANING/DISINFECTING, ORIENT THE LiNA OPERÅSCOPE™ RECORDING MODULE POSITION TO MINIMIZE LIQUID FROM COMING IN CONTACT WITH THE POWER, USB, SCOPE AND MONITOR CONNECTORS.

LiNA OPERÅSCOPE™ RECORDING MODULE CASE SHOULD NOT BE OPENED FOR CLEANING/DISINFECTING.

WARNING: NO MODIFICATION OF THIS EQUIPMENT IS ALLOWED.

1. Power off and unplug the LiNA OperåScope™ Recording Module.
2. Place the LiNA OperåScope™ Recording Module and power cord on a clean, dry surface.
3. Using a cleaning/disinfecting wipe, completely wipe the top, bottom and all 4 sides of the LiNA OperåScope™ Recording Module.
4. After wiping, visually inspect the exterior for residual bodily fluids or dirt and repeat wipe.
5. Let the LiNA OperåScope™ Recording Module sit for at least 3 minutes.
6. Using a 70% Isopropyl swab, thoroughly wipe the seams of the Module ensuring the Module is free of bodily fluid.
7. Once the Module is visually clean, place the device in a storage area for future use.

LiNA OperåScope™ Recording Module Battery 7-year Shelf Life:

The LiNA OperåScope™ Recording Module battery has an operating life of 7 years from the date of manufacture and will be replaced prior to the anticipated shelf life expiration.

| | |
|---------------------------------|--------------------------|
| Nominal input voltage: | 100-240V AC ±10% |
| Nominal input frequency: | 50-60Hz |
| Nominal input current: | 0.16-0.08Arms @ max load |

| | |
|-------------------------------------|-----------------------|
| Nominal output voltage: | Uout: 9V DC +5% / -5% |
| Nominal output current lout: | 800mA |
| AC adapter provided: | Friwo Fox 9VDC/800mA |

General information:

Environmental conditions during transportation and storage

| | |
|----------------------|-------------------|
| Temperature | 0°C to +55°C |
| Air humidity | 10% to 90% |
| Atmospheric pressure | 70 kPa to 106 kPa |

Environmental conditions during use:

| | |
|----------------------|-------------------|
| Temperature | +10°C to +40°C |
| Air humidity | 35% to 75% |
| Atmospheric pressure | 70 kPa to 106 kPa |

LiNA OperåScope™ complies with standards for EMC: Medical Electrical Equipment - PART 1-2: General requirements for basic safety and essential performance.

- Note: the emissions characteristics of this equipment make it suitable for use in industrial areas and hospitals/clinics (CISPR 11 Class A). The equipment is not indicated for use outside a hospital or clinic setting.
- Immunity according to Professional healthcare facility environment.

Open Source Software used in LiNA OperåScope™ Recording Module:

The product contains, among other things, Open Source Software, licensed under an Open Source Software License and developed by third parties. These Open Source Software files are protected by copyright. Your rights to use the Open Source Software beyond the mere execution of LiNA Medicals program, is governed by the relevant Open Source Software license conditions.

Your compliance with those license conditions will entitle you to use the Open Source Software as foreseen in the relevant license. In the event of conflicts between LiNA Medical license conditions and the Open Source Software license conditions, the Open Source Software conditions shall prevail with respect to the Open Source Software portions of the software. The Open Source Software is licensed royalty-free (i.e., no fees are charged for exercising the licensed rights, whereas fees may be charged for reimbursement of costs incurred by LiNA Medical).

A list of the Open Source Software programs contained in this product and the Open Source Software licenses are available in this document.

If programs contained in this product are licensed under GNU General Public License (GPL), GNU Lesser General Public License (LGPL) or any other Open Source Software license, which requires that source code be made available and this software is not already delivered in source code form together with the device you can request the corresponding source code from LiNA Medical by paying a fee 5.- Euro for the physical act of transferring the copy. Please send your specific request, within three years of the purchase date of this product, together with the Name and/or ID number of the product to:

LiNA Medical
Formervangen 5
DK-2600 Glostrup
Denmark
www.lina-medical.com

Warranty regarding further use of the Open Source Software:

LiNA Medical provides no warranty for the Open Source Software programs contained in this device, if such programs are used in any manner other than the program execution intended by LiNA Medical. The licenses listed below define the warranty, if any, from the authors or licensors of the Open Source Software. LiNA Medical specifically disclaims any warranties for defects caused by altering any Open Source Software program or the product's configuration. You have no warranty claims against LiNA Medical in the event the Open Source Software infringes the intellectual property rights of a third party. Technical support, if any, will only be provided for unmodified software.

Reporting:

Any serious incident that has occurred in relation to the device should be reported to the LiNA Medical ApS and the competent regulatory authority of the country in which the user and/or patient is established. WWCE marking 2020.





da

TILSIGTET ANVENDELSE:**LiNA OperåScope™ til hysteroskopi:**

LiNA OperåScope™ er beregnet til brug ved visualisering af livmoderhalskanalen og livmoderhulen under diagnostiske og terapeutiske gynækologiske procedurer.

LiNA OperåScope™ til cystoskopi:

LiNA OperåScope™ er beregnet til brug ved visualisering af det kvindelige urinrør og blæren under diagnostiske og terapeutiske cystoskopiske procedurer.

PATIENTPOPULATION:

Unge eller ældre patienter med diagnostiske og terapeutiske gynækologiske procedurer, som kræver visualisering af livmoderhalskanalen og livmoderhulen.

Unge eller ældre kvindelige patienter med diagnostiske og terapeutiske cystoskopiprocedurer, som kræver visualisering af urinrøret og blæren.

De typer procedurer, hvor LiNA OperåScope™ kan tilbyde visualisering, inkluderer:

- Hysteroskopi:
 - Vurdering af unormal blødning, bækkensmerter, amenorré og unormale fund ved hysterosalpingografi;
 - Vurdering af infertilitet og fostertab;
 - Bekræftelse af tilstedeværelsen af intrauterint fremmedlegeme i kroppen;
 - Hjælp ved lokalisering af submucosale fibroider og polyper, der skal fjernes;
 - Levering af visuel vejledning under målrettet biopsi, polypectomy, submucosal myomektomi, transektion af intrauterine sammenvoksninger og septa.
- Cystoskopi:
 - LiNA OperåScope™ muliggør visning af den kvindelige urinblære via en minimalt invasiv tilgang ved at benytte naturlige åbninger til at få adgang til diagnosestedet.
 - Derudover får man en visuel vejledning under følgende diagnostiske og terapeutiske procedurer: vurdering af tilbagevendende urinvejsinfektioner (UTT'er), bækkensmerter, problemer med vandladning, urininkontinens, målrettet biopsi, fjernelse af polyper og blæresten, injektioner med botulinumtoksin (f.eks. Botox), indføring og/eller fjernelse af urinvejssten, inspektion af blæren og urinrøret for skade samt vurdering af ureteral åbenhed.

PRODUKTBESKRIVELSE:

LiNA OperåScope™ er et batteridrevet engangsskop med et kateter og et LCD-display med et 3 m langt HDMI-kabel, tilsluttet håndstykket. LiNA OperåScope™ leveres steriliseret med ethylenoxid, og batteripakken leveres steriliseret med stråling.

Kateterets (nominelle) diameter på 4,2 mm indeholder et miniatyrekamera og LED-belysning i den distale spids, og kateterets buede spidssektion kan drejes ved hjælp af en drejeknap (**Figur 7**) på håndstykket. Midten af denne drejeknap er indføringskanalen til indføring af instrumenter/tilbehør med en nominel diameter på op til 1,86 mm (5,5 Fr) og en minimumsarbejdslængde på 310 mm. Udvidelse og skylning af livmoderen/blæren med udvidelsesmedium faciliteres ved hjælp af separate luer lock-stoppaner til henholdsvis indløb og udløb nederst på håndstykket. HDMI-kablet nederst på håndstykket kan tilsluttes en ekstern skærm med HDMI-indgang eller alternativt tilsluttes LiNA OperåScope™-optagelsesmodulet til optagelse af video eller billeder til et standard-USB-drev (sørg for, at der er nok ledig lagerplads på USB-drevet).

Under betjening kan visualisering optimeres ved at justere lysstyrken (belysning). Lysstyrken justeres med en lysstyrkeknap (**Figur 5**) på håndstykket. Standardindstillingen er maksimal lysstyrke.

Ud over LiNA OperåScope™ er LiNA OperåScope™-optagelsesmodulet (**Figur 4**) tilgængeligt til optagelse af både billeder og videoer til senere visning. LiNA OperåScope™-optagelsesmodulet leveres usterilt og er beregnet til at blive sluttet til LiNA OperåScope™ HDMI-kablet. LiNA OperåScope™-optagelsesmodulet er ikke beregnet til at komme i kontakt med det sterile felt eller patienten.

LiNA OperåScope™ og optagelsesmodulet skal benyttes under omgivende forhold og opbevares ved stuetemperatur og tørt.



da

Miljømæssige forhold under transport og opbevaring:

| | |
|------------------|--------------------|
| Temperatur | 0 °C til + 55 °C |
| Luftfugtighed | 10 % til 90 % |
| Atmosfærisk tryk | 70 kPa til 106 kPa |

Miljøforhold under anvendelse:

| | |
|------------------|--------------------|
| Temperatur | +10 °C til +40 °C |
| Luftfugtighed | 35 % til 75 % |
| Atmosfærisk tryk | 70 kPa til 106 kPa |

TILBEHØR:

Følgende tilbehør kan anvendes sammen med LiNA OperåScope™:

- LiNA OperåScope™-optagelsesmodul,
- Kommercielt tilgængelige væskestyringslanger med han-luer-lock,
- Kommercielt tilgængelige instrumenter/tilbehør til diagnostisk/terapeutisk brug.

KONTRAINDIKATIONER:

Anordningen er kontraindiceret til brug ved hysteroskopi ved:

- Manglende evne til at udspile uterus,
- Cervikal stenose,
- Cervikal/vaginal infektion,
- Uterin blødning eller menstruation,
- Kendt graviditet,
- Kendt karcinom i cervix og/eller livmoder,
- Nylig perforering af livmoderen,
- Kendt underlivsbetændelse (PID),
- Medicinske kontraindikationer eller intolerance over for anæstesi.

Anordningen er kontraindiceret til brug ved cystoskopi ved:

- Kendt underlivsbetændelse (PID),
- Akutte/kendte urinvejsygdomme,
- Alvorlig koagulopati.

ADVARSLER:

Manglende overholdelse af alle instruktioner, advarsler og forholdsregler kan resultere i alvorlig patientskade.

- LiNA OperåScope™ leveres STERILISERET med ethylenoxid (LiNA OperåScope™) og strålesterilisering (batteri). Inspicer omhyggeligt emballagen for beskadigelse inden brug. Forsøg IKKE at bruge instrumentet, hvis den sterile barriere er beskadiget. Brug IKKE instrumentet efter udløbsdatoen. Anvend IKKE anordningen, hvis den har været udsat for ikke-sterile overflader inden proceduren.
- Lav lysintensitet ved den lavest mulige indstilling kan begrænse visualisering og være uegnet til kirurgiske procedurer. Operatører af anordningen bør kontrollere, at området for lysintensitet er velegnet til den planlagte procedure inden brug.
- Fremfør ikke LiNA OperåScope™, hvis der opleves modstand inde i patienten.
- Forsøg ikke at ændre formen på det distale kateter.
- Instrumentet er kun beregnet til engangsbrug. LiNA OperåScope™ må IKKE genbruges, genbehandles eller resteriliseres. En hvilken som helst form for reprocessering kan have en negativ indvirkning på anordningens funktion. Genanvendelse af instrumenter til engangsbrug kan også øge risikoen for krydskontaminering. Forsøg på at rengøre anordningen medfører risiko for funktionsfejl i anordningen og/eller fejlagtig indsamling af patologiske prøver på grund af restvæv i LiNA OperåScope™.
- Fjern ikke batteriet under behandlingsforløbet.
- Hav altid en reserveanordning klar til omgående brug.
- Må kun bruges med de batterier, der medfølger hver LiNA OperåScope™-anordning – batterierne er identificeret som AA Energizer Alkaline-batterier i en dedikeret batteripakke til LiNA OperåScope™.
- LiNA OperåScope™ er designet med 60 minutters batterilevetid.
- Hvis der skulle opstå en funktionsfejl under anvendelsen, eller batterierne løber tør, skal du stoppe proceduren med det samme og langsomt trække LiNA OperåScope™ tilbage og udskifte det med et nyt LiNA OperåScope™.
- Bærbart RF-kommunikationsudstyr (herunder perifert udstyr såsom antennekabler og eksterne antenner) må ikke benyttes tættere end 30 cm (12 tommer) på LiNA OperåScope™, da det kan medføre forringelse af ydeevnen af LiNA OperåScope™.



- Brug af andet tilbehør, andre transducere og kabler end de, der er specificeret, kan medføre en ændring i elektromagnetiske egenskaber og resultere i potentiel fejlfunktion.
- Det bør undgås at bruge LiNA OperåScope™-udstyret i nærheden af andet udstyr, da dette kan medføre fejlfunktion. Hvis en sådan anvendelse er nødvendig, skal dette udstyr og det andet udstyr observeres for at bekræfte, at det fungerer normalt.
- Undlad at nedsænke LiNA OperåScope™-håndstykket, batteriet, HDMI-porten og/eller LCD-skærmen i et væskebad. Skulle LiNA OperåScope™ blive nedsænket, skal du sørge for, at LiNA OperåScope™ er tørret og stadig er funktionsdygtigt inden klinisk anvendelse. Hvis LiNA OperåScope™ ikke fungerer, skal det udskiftes med en ny anordning.
- For at mindske risikoen for perforation må operaskopet™ kun fremføres/manipuleres under visning af et live-kamerabillede og belysning.
- Hysteroskopi procedurer ved brug af LiNA OperåScope™ må kun udføres af faguddannet sundhedspersonale, som har tilstrækkelig uddannelse i hysteroskopi.
- Cystoskopi procedurer ved brug af LiNA OperåScope™ må kun udføres af faguddannet sundhedspersonale, som har tilstrækkelig uddannelse i cystoskopi.
- Der anvendes et flydende udvidelsesmedium, og der skal foretages en streng overvågning af væskeindtag og -udløb. Intrauterininstallation på mere end 1 liter bør overvåges meget omhyggeligt for at reducere risikoen for væskeoverfyldning.

FORSIGTIGHEDSREGLER:

Potentielle generelle komplikationer ved brug af LiNA OperåScope™

Før hver brug eller efter en ændring af indstillingerne for LiNA OperåScope™ skal du kontrollere, at LiNA OperåScope™-visningen giver et direkte billede (i stedet for et gemt billede), samt at billedet vender korrekt.

Hvis der ikke opretholdes kontinuerlig strøm/skylning under betjening af LiNA OperåScope™, kan driftstemperaturen på den distale spids overstige 41 °C (105,8 °F).

Mens LiNA OperåScope™-optagelsesmodulet er sluttet til LiNA OperåScope™, skal du kontrollere, at strømforsyningsenheden er lettilgængelig, hvis det skulle blive nødvendigt at slå strømmen fra.

Sørg for, at LiNA OperåScope™-optagelsesmodulet og skærmen er uden for patientens rækkevidde.

Potentielle komplikationer ved hysteroskopi/cystoskopi med kontinuerligt flow:

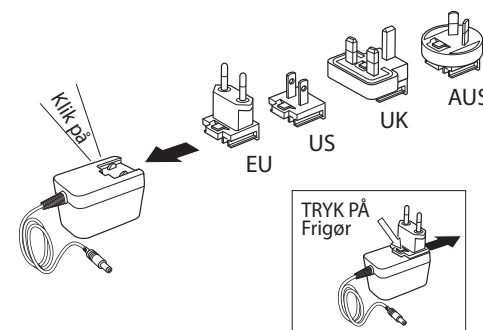
- Hyponatriæmi,
- Hypotermi,
- Perforering af livmoderen/falsk passage, der kan medføre skader på tarm, blære, større blodkar og ureter,
- Blæreperforation/falsk passage, der kan medføre skader på tarm, uterus, større blodkar og ureter,
- Lungeødem,
- Cerebralt ødem,
- Infektion,
- Blødning,
- Smerte,
- Vasovagale episoder,
- Urinrørstraume (specifikt for cystoskopi).

Det anbefales at bruge normalt saltvand som udvidelsesmedium samt at begrænse den indsprøjtede volumen til mindre end 1.000 ml for at reducere risikoen for ovennævnte komplikationer. Intrauterinindsenktion kan normalt udføres med tryk i området 35-75 mmHg. Medmindre det systemiske blodtryk er meget højt, er det sjældent nødvendigt at anvende tryk på mere end 75-80 mmHg.

BRUGSANVISNING:

Læs brugsanvisningen, før du bruger denne enhed!

1. Efterse grundigt emballagen for skader før brug. Brug IKKE instrumentet, hvis den sterile barriere er beskadiget. Brug IKKE instrumentet efter udløbsdatoen.
2. Tag LiNA OperåScope™ ud af den steriliserede blisterpakning ved hjælp af en steriliseret blisterpakning (Figur 2).
3. Monter indløbsvæskeslangen på indløbsporten og udløbsslangen til udløbsporten (Figur 3).
4. LiNA OperåScope™ kan slutes til en ekstern skærm eller optagelsesmodulet ved hjælp af et HDMI-kabel. Bemærk: Inden brug af LiNA OperåScope™-optagelsesmodulet skal du sørge for at sætte det relevante stik i den korrekte stikkontakt og kontrollere, at enheden er sluttet til, og at den grønne lampe lyser.



5. Tag batteriet ud af den steriliserede blisterpakning, og sæt batteriet i LiNA OperåScope™ (Figur 6).
6. Lyskilden på den distale spids af kateteret vil lyse, og kamerabilledet bør være synligt på den indbyggede LCD. Hvis belysningen eller kamerabilledet ikke fungerer, skal du afbryde opsætningen og åbne et nyt LiNA OperåScope™ (Figur 7).
7. Skyl væsken igennem kateteret, indtil der ikke er flere luftbobler i slangen (Figur 8).
8. LiNA OperåScope™ er nu klar til brug.
9. Når væsken løber, indsættes kateteret gennem livmoderhalskanalen eller urinrøret, mens billedet vises, i henhold til standardproceduren for indføring af LiNA OperåScope™ (Figur 9).
10. Hvis billed- eller videooptagelse ønskes, skal du indsætte et USB-hukommelsesstik i LiNA OperåScope™-optagelsesmodulet og sørge for, at HDMI-kablet er tilsluttet LiNA OperåScope™. Både LiNA OperåScope™-håndstykket og -optagelsesmodulet har knapper til billed- og videooptagelse. Tryk på billedknappen, og slip den igen for at tage et stillbillede. Tryk på videoknappen, og slip den igen for at gå i gang med at optage; tryk på og slip videoknappen igen for at stoppe optagelsen (Figur 5). Bemærk: Når LiNA OperåScope™-optagelsesmodulet er optaget, blinker LED'en blå.
11. LiNA OperåScope™ har central lumen inde i drejknappen på håndstykket (Figur 9) og fungerer som kanal for levering af diagnostiske og terapeutiske instrumenter/tilbehør til uterus og blæren. Instrumenter/tilbehør inden for følgende mål er kompatible med den centrale lumen i LiNA OperåScope™:
 - Maksimal ydre diameter: 1,86 mm (5,5 Fr)
 - Minimal brugbar længde: 310 mm
12. Når proceduren er færdig, fjernes LiNA OperåScope™ (Figur 10).
13. Tag batteripakken ud, og bortskaf batteriet. Anordningen kan nu bortskaffes sikkert i overensstemmelse med lokale bestemmelser (Figur 11).
14. Tag USB-stikket ud af LiNA OperåScope™-optagelsesmodulet, og overfør optagelserne til en computer ved hjælp af en USB-port (Figur 12).

Tekniske specifikationer for LiNA OperåScope™

| | |
|------------------------------------|---|
| Nominal indgangsspænding: | 3 V DC ±10 % |
| Nominal strøm: | 330 mA ±20 % |
| Batteritype: | 2 stk. AA 1,5 V Energizer Alkaline (ikke-genopladelige) |
| Anvendelsestid: | ≤ 60 minutter |
| Kameraopløsning: | 400x400 pixel |
| Diagonal størrelse på LCD-display: | 4,3 tommer |
| Minimal brugbar længde: | 240 mm |
| Fastsat spidsvinkel: | 20° ±5° |

Betingelser for holdbarhed

Opbevaringstiden for LiNA OperåScope™ er på 36 måneder. Testenhederne blev derefter underkastet simulerede forsendelsesbetingelser pr. ASTM D4169, cyklus 13, sikringsniveau 1. Alle enheder blev inspiceret og underkastet designkontroltest og opfyldte alle acceptkriterier.



LiNA OperåScope™

REF OP-201-6-I, OP-RM-1-UK, OP-RM-1-EU, OP-RM-1-AUS

LiNA OperåScope™-OPTAGELSESMODUL:

LiNA OperåScope™-optagelsesmodulets strømforsyning er klargjort i henhold til ovenstående kugle 4 i Brugsanvisning. De forskellige ref. numre henviser til det relevante stik.

- OP-RM-1-EU (til brug i de fleste EU-lande - sokkeltype C)
- OP-RM-1-UK (til brug i Storbritannien og andre lande, der bruger sokkeltype G)
- OP-RM-1-AUS (til brug i Australien og andre lande, der bruger sokkeltype I)

Download af video/stillbilleder efter procedure

Video og stillbilleder kan downloades fra LiNA OperåScope™ via LiNA OperåScope™-optagemodul USB og importeres til patientens patientjournal. Da der ikke findes nogen patientidentificerende information på video-/stillbilledsfilen, skal den downloadede fil uploades og gemmes til patientens patientjournal straks efter proceduren, hvilket sikrer den rette forbindelse mellem filen og patienten.

Afspilning af optagede video/stillbilleder på computeren

Trin 1

Indsæt USB-stick i computerens USB-port.

Trin 2

Download og installer noget codec-software til supplement til Windows Media Player, såsom Media Player Codec Pack.

Trin 3

Klik på "Start" i Windows og vælg den mappe, hvor din MPEG 4-fil befinder sig, f.eks. Mine videoer eller Mine downloads.

Trin 4

Højreklik på videoen, og vælg "Åbn med". Vælg "Windows Media Player" fra de tilgængelige valgmuligheder for at begynde afspilning af din video/billeder.

Bemærk: LiNA OperåScope™-optagelsesmodulet skal bortskaffes i henhold til lokale bestemmelser som elektronisk affald.

Rengøring efter proceduren

LiNA OperåScope™-optagelsesmodulet er beregnet til at blive anvendt uden for det sterile felt og væk fra patienten. Selvom LiNA OperåScope™-optagelsesmodulet ikke er beregnet til at komme i direkte kontakt med patienten, kan anordningen tåle at blive eksponeret for kropsvæsker og/eller blod, når den bruges på operationsstuen under patientbehandling.

Efter hver anvendelse på en patient skal følgende rengørings-/desinfektionsanvisninger følges for at sikre korrekt rengøring af de eksterne komponenter.

LiNA OPERÅSCOPE™-OPTAGELSESMODUL MÅ IKKE NEDSÆNKES I VÆSKE.



UNDER RENGØRING/DESINFEKTION SKAL POSITIONEN AF LiNA OPERÅSCOPE™-OPTAGELSESMODULET VENDES SÅLEDES, AT DER KOMMER SÅ LIDT VÆSKE I KONTAKT MED STIKKENE TIL STRØM, USB, SKOP OG SKÆRM SOM MULIGT.

KABINETTET TIL LiNA OPERÅSCOPE™-OPTAGELSESMODULET SKAL IKKE ÅBNES VED RENGØRING/DESINFEKTION.

ADVARSEL: DER MÅ IKKE FORETAGES ÆNDRINGER AF UDSTYRET.

1. Sluk for LiNA OperåScope™-optagelsesmodulet, og tag stikket ud af stikkontakten.
2. Anbring LiNA OperåScope™-optagelsesmodulet og strømledningen på en ren, tør overflade.
3. Brug en rengørings-/desinfektionsserviet til at aftørre toppen, bunden og alle 4 sider af LiNA OperåScope™-optagelsesmodulet.
4. Når det er tørt af, skal du visuelt inspicere ydersiden for resterende kropsvæsker eller snavs og gentage aftørringen.
5. Lad LiNA OperåScope™-optagelsesmodulet stå i mindst 3 minutter.
6. Brug en vatpind med 70 % isopropyl til grundigt at aftørre modulets samlinger for at sikre, at modulet er frit for kropsvæsker.
7. Når modulet er visuelt rent, skal anordningen anbringes i et opbevaringsområde til fremtidig anvendelse.

LiNA OperåScope™-optagelsesmodulets batteri har 7-års holdbarhed:

LiNA OperåScope™-optagelsesmodulets batteri har en driftslevetid på 7 år fra fremstillingsdatoen og vil blive udsdskiftet inden udløbet af den forventede levetid.



LiNA OperåScope™

REF OP-201-6-I, OP-RM-1-UK, OP-RM-1-EU, OP-RM-1-AUS

| | |
|---|-----------------------------------|
| Nominel indgangsspænding: | 100-240 V AC ±10 % |
| Nominel indgangsfrekvens: | 50-60 Hz |
| Nominel indgangsstrøm: | 0,16-0,08 Arms @ maks. belastning |
| Nominel udgangsspænding: | Uout: 9 V DC + 5%/-5 % |
| Nominel udgangsstrøm Iout: | 800 mA |
| Medfølgende vekselstrømsadapter: | Friwo Fox 9 VDC/800 mA |

Generelle oplysninger:

Miljømæssige forhold under transport og opbevaring:

| | |
|------------------|--------------------|
| Temperatur | 0 °C til + 55 °C |
| Luftfugtighed | 10 % til 90 % |
| Atmosfærisk tryk | 70 kPa til 106 kPa |

Miljøforhold under anvendelse:

| | |
|------------------|--------------------|
| Temperatur | +10 °C til +40 °C |
| Luftfugtighed | 35 % til 75 % |
| Atmosfærisk tryk | 70 kPa til 106 kPa |

LiNA OperåScope™ overholder standarderne for EMC: Elektromedicinsk udstyr – DEL 1-2: Generelle krav til grundlæggende sikkerhed og essentiel ydeevne.

- Bemærk: Emissionskarakteristikaene ved dette udstyr gør det egnet til brug i industriområder og på hospitaler/klinikker (CISPR 11 klasse A). Udstyret er ikke indiceret til brug uden for et hospitals- eller klinikmiljø.
- Immunitet i henhold til professionelt sundhedspjemiljø.

Open source-software anvendt i LiNA OperåScope™-optagelsesmodulet:

Produktet indeholder bl.a. open source-software, som er licenseret under en open source-softwarelicens og udviklet af tredjeparter. Disse open source-softwarefiler er beskyttet af ophavsret. Dine rettigheder til at bruge open source-softwaren ud over benyttelse af LiNA Medicals-programmet er reguleret af de relevante licensbetingelser for open source-softwaren.

Din overholdelse af disse licensbetingelser giver dig ret til at benytte open source-softwaren som beskrevet i den relevante licens. Hvis der skulle opstå konflikter mellem LiNA Medical-licensbetingelserne og licensbetingelserne for open source-softwaren, gælder betingelserne for open source-softwaren, hvad angår de dele af softwaren, der stammer fra open source-softwaren. Open source-softwaren er licenseret royalty-fri (dvs. der opkræves ingen gebyrer for udøvelse af de licenserede rettigheder, mens der godt kan opkræves gebyrer for godtgørelse af omkostninger pådraget af LiNA Medical).

En liste over open source-softwareprogrammer indeholdt i dette produkt og open source-softwarelicenserne er tilgængelige i dette dokument.

Hvis programmer indeholdt i dette produkt er licenseret under GNU General Public License (GPL), GNU Lesser General Public License (LGPL) eller nogen anden open source-softwarelicens, som kræver, at kildekoden gøres tilgængelig, og denne software ikke allerede er leveret i kildekodeformularen sammen med anordningen, kan du anmode om den relevante kildekode fra LiNA Medical ved at betale et gebyr på 5 euro for den fysiske handling forbundet med at overføre kopien. Du bedes sende din specifikke anmodning senest tre år efter købsdatoen for dette produkt sammen med produktets navn og/eller ID-ID-nummer til:

LiNA Medical
Formervangen 5
DK-2600 Glostrup
Danmark
www.lina-medical.com

Garanti vedrørende yderligere brug af open source-softwaren:

LiNA Medical giver ingen garanti på open source-softwareprogrammerne indeholdt i denne anordning, hvis sådanne programmer benyttes på nogen anden måde end den programudførelse, der er tiltænkt af LiNA Medical. De nedenfor angivne licenser definerer garantien, hvis der er nogen, fra ophavspersonerne eller licenshaverne af open source-softwaren. LiNA Medical frasiger sig specifikt enhver garanti for defekter forårsaget af ændring af et open source-softwareprogram eller produktets konfiguration. Du har ingen krav på garanti fra LiNA Medical, hvis open source-softwaren overtræder en tredjeparts intellektuelle ejendomsret. Der vil kun blive givet teknisk support, om nogen, til umodificeret software.

Indberetning:

Enhver alvorlig hændelse, der opstår i forbindelse med denne anordning, skal indberettes til LiNA Medical ApS og den kompetente kontrolmyndighed i det land, hvor brugeren og/eller patienten har hjemsted. WWCE-markering 2020.





LiNA OperåScope™

REF OP-201-6-I, OP-RM-1-UK, OP-RM-1-EU, OP-RM-1-AUS

SV

AVSEDD ANVÄNDNING:

LiNA OperåScope™ för hysteroskopi:

LiNA OperåScope™ är avsedd för användning vid visualisering av livmoderhalskanalen och livmoderkaviteten under diagnostiska och terapeutiska gynekologiska ingrepp.

LiNA OperåScope™ för cystoskopi:

LiNA OperåScope™ är avsedd för användning vid visualisering av det kvinnliga urinröret och urinblåsan vid diagnostiska och terapeutiska cystoskopiska ingrepp.

PATIENTPOPULATION:

Vid diagnostiska och terapeutiska gynekologiska ingrepp på ungdomar eller äldre patienter som kräver visualisering av livmoderhalskanalen och livmoderskaviteten.

Vid diagnostiska och terapeutiska cystoskopiingrepp på unga eller äldre kvinnliga patienter som kräver visualisering av urinröret och urinblåsan.

Typer av ingrepp där LiNA OperåScope™ kan erbjuda visualisering inkluderar:

- Hysteroskopi:
 - Bedömning av onormal blödning, bäckensmärter, amenorré och onormala fynd från hysterosalpingografi.
 - Bedömning av infertilitet och graviditetsförlust.
 - Bekräftelse av närvaro av intrauterin främmande kropp.
 - Hjälp med att hitta submukosala fibroider och polyper som ska avlägsnas.
 - Tillhandahållande av visuell vägledning under riktad biopsi, polypektomi, submukosal myomektomi, transektion av intrauterina vidhäftningar och septa.
- Cystoskopi:
 - LiNA OperåScope™ möjliggör visning av den kvinnliga urinblåsan genom ett minimalt invasivt tillvägagångssätt där man använder naturliga öppningar för att komma åt diagnosstället.
 - Dessutom ger verket visuell vägledning under följande diagnostiska och terapeutiska förfaranden: utvärdering av återkommande urinvägsinfektioner (UTI), bäckensmärter, svårigheter med urinering, urininkontinens, riktad biopsi, avlägsnande av polyper och stenar i urinblåsan, botulinumtoxininjektioner (t.ex. Botox), insättning och/eller avlägsnande av urinstentar, inspektion av skada i urinblåsan och urinröret samt bedömning av ureteral öppnhet.

PRODUKTBESKRIVNING:

LiNA OperåScope™ är ett batteridrivet verktyg avsett för engångsbruk, som har en kanyl och en LCD-skärm med en 3 m lång HDMI-kabel ansluten till handtaget. LiNA OperåScope™ tillhandahålls steril via etenoxid, och batteripaketet tillhandahålls sterilt via strålning.

Kanylen är 4,2 mm i diameter (nominell) och har en miniatyrkamera och LED-belysning vid sin distala spets. En förböjd spetsdel av kanylen roteras med ett vridreglage (**figur 7**) på dess handtag. Mitten av vridreglaget utgör en införingskanal för instrument/tillbehör som är upp till 1,86 mm (5,5 Fr) i diameter (nominell) och med en arbetslängd på minst 310 mm. Vidgning och spolning av livmoders/urinblåsans hålrum med utvidgningsmedel underlättas med separata luerläskranar för inflöde och utflöde, längst ner på handtaget. HDMI-kabeln längst ner på handtaget kan anslutas till en extern skärm med HDMI-ingång eller alternativt anslutas till LiNA OperåScope™ Recording Module för inspelning av video eller tagning av bilder till en USB-standardenhet (kontrollera att det finns ledigt lagringsutrymme på USB-enheten).

Visualisering kan under drift optimeras genom justering av ljusstyrkan (belysning). Ljusstyrkan styrs med knappen för ljusstyrka (**figur 5**) som finns placerad på handtaget. Standardinställningen är maximal ljusstyrka.

Utöver LiNA OperåScope™, möjliggör LiNA OperåScope™ Recording Module (**figur 4**) både inspelning av video och tagning av bilder för senare visning. LiNA OperåScope™ Recording Module tillhandahålls icke-steril och utformad för anslutning till HDMI-kabeln för LiNA OperåScope™. LiNA OperåScope™ Recording Module är ej avsedd för kontakt med det sterila området eller patienten.

LiNA OperåScope™ och Recording Module ska användas under omgivningsförhållandena, samt förvaras torrt och vid rumstemperatur.



LiNA OperåScope™

REF OP-201-6-I, OP-RM-1-UK, OP-RM-1-EU, OP-RM-1-AUS

Omgivningsförhållanden under transport och förvaring:

| | |
|--------------------|---------------------|
| Temperatur | 0 °C till +55 °C |
| Luftfuktighet | 10 % till 90 % |
| Atmosfäriskt tryck | 70 kPa till 106 kPa |

Omgivningsförhållanden under användning:

| | |
|--------------------|---------------------|
| Temperatur | +10 °C till +40 °C |
| Luftfuktighet | 35 % till 75 % |
| Atmosfäriskt tryck | 70 kPa till 106 kPa |

TILLBEHÖR:

Följande tillbehör kan användas tillsammans med LiNA OperåScope™:

- LiNA OperåScope™ Recording Module
- kommersiellt tillgängligt rör för vätskehantering med ett luerlås (hane),
- kommersiellt tillgängliga instrument/tillbehör för diagnostisk/terapeutisk användning

KONTRAIKATIONER:

Enheten är kontraindicerad för hysteroskopi vid:

- oförmåga att vidga livmodern,
- cervikal stenosis,
- cervikal/vaginal infektion,
- blödning i livmodern eller menstruationer,
- känd graviditet,
- känt karcinom i livmoderhalsen och/eller livmodern,
- livmodersperforering inom senaste tiden,
- känd bäckeninflammation (PID),
- medicinsk kontraindikation eller intolerans mot anestesi.

Enheten är kontraindicerad för cystoskopi vid

- känd bäckeninflammation (PID),
- akuta/kända urinvägsinfektioner,
- allvarlig koagulopati.

VARNINGAR:

Underlåtenhet att följa instruktioner eller eventuella varningar eller försiktighetsåtgärder kan leda till allvarlig patientskada.

- LiNA OperåScope™ tillhandahålls STERIL via etenoxid (LiNA OperåScope™) och strålningssterilisering (batteri). Kontrollera förpackningen noga avseende skador före användning. Försök INTE använda enheten om den sterila barriären är skadad. Använd INTE efter utgångsdatum. Använd INTE om enheten utsätts för icke-sterila ytor före ingreppet.
- Låg ljusintensitet vid den lägsta tillgängliga inställningen kan begränsa visualiseringen och vara olämplig för kirurgiska ingrepp. Enhetsoperatörerna bör kontrollera att ljusintensitetsområdet passar för det planerade ingreppet före användning.
- För inte LiNA OperåScope™ framåt om motstånd upplevs inuti patienten.
- Försök inte att förändra formen på den distala kanylen.
- Endast för engångsbruk. Återanvänd, återprocessera eller återsterilisera INTE LiNA OperåScope™. Eventuell återprocessering kan hindra enhetens funktioner. Återanvändning av enheter för engångsbruk kan även öka risken för korskontaminering. Försök att rengöra enheten resulterar i risk för fel på enheten och/eller felaktig patologisk provtagning på grund av kvarvarande vävnad i LiNA OperåScope™.
- Avlägsna inte batteriet under behandlingsprocessen.
- Ha alltid en reservenhet redo och tillgänglig för omedelbar användning.
- Får endast användas med batterierna som medföljer varje LiNA OperåScope™-enhet – batterierna identifieras som alkaliska AA Energizer-batterier i ett speciellt batteripaket för LiNA OperåScope™.
- LiNA OperåScope™ är utformad med 60 minuters batteritid.
- Om något fel skulle inträffa under användning eller om batteriets livslängd tar slut ska du omedelbart avbryta proceduren och dra ut LiNA OperåScope™ långsamt, samt ersätta denna med en ny LiNA OperåScope™.
- Bärbar RF-kommunikationsutrustning (inklusive kringutrustning som antennkablar och externa antenner) bör inte användas inom 30 cm (12 tum) från LiNA OperåScope™, eftersom detta kan resultera i en prestandaminskning av LiNA OperåScope™.

- Användning av andra tillbehör, omvandlare och kablar än de som anges kan leda till en förändring av de elektromagnetiska egenskaperna och således till eventuella driftsfel.
- Användning av LiNA OperåScope™-utrustningen intill annan utrustning bör undvikas eftersom det kan leda till driftsfel. Om sådan användning är nödvändig bör denna utrustning och den andra utrustningen övervakas för att verifiera att de fungerar normalt.
- Undvik att sänka ner LiNA OperåScope™-handtaget, batteriet, HDMI-porten och/eller LCD-skärmen i vätska. Om LiNA OperåScope™ skulle bli nedsäkt, säkerställ då att LiNA OperåScope™ är avkortat och fungerar före klinisk användning. Om LiNA OperåScope™ inte fungerar ska denna bytas ut mot en ny enhet.
- För att minska risken för perforering ska du endast föra in/hantera LiNA OperåScope™ medan du ser en livekamerabild och har belysning.
- Hysteroskopiprocedurer med LiNA OperåScope™ ska endast utföras av sjukvårdspersonal som har adekvat utbildning i hysteroskopi.
- Cystoskopiprocedurer med LiNA OperåScope™ ska endast utföras av läkare som har adekvat utbildning i cystoskopi.
- Ett flytande utvidgningsmedel ska användas och strikt övervakning av in- och utflöde av vätska ska upprätthållas. Intrauterin instillation som överstiger 1 liter bör följas med stor försiktighet för att minska risken för vätskeöverbelastning.

FÖRSIKTIGHETSÅTGÄRDER:

Potentiella allmänna komplikationer med LiNA OperåScope™

Före användning eller efter ändring av LiNA OperåScope™-inställningar, kontrollera att LiNA OperåScope™-vyn ger en livebild (snarare än en lagrad) och har rätt bildorientering.

Om en kontinuerlig spolning/sköljning under hanteringen av LiNA OperåScope™ inte upprätthålls kan den distala spetsens driftstemperatur överstiga 41 °C (105.8 ° F).

Se till att strömförsörjningsenheten är lättillgänglig om strömmen skulle behöva kopplas bort medan LiNA OperåScope™ Recording Module är ansluten till LiNA OperåScope™.

Säkerställ att LiNA OperåScope™ Recording Module och monitorn är utanför patientens räckvidd.

Potentiella komplikationer av kontinuerlig flödeshysteroskopi/cystoskopi:

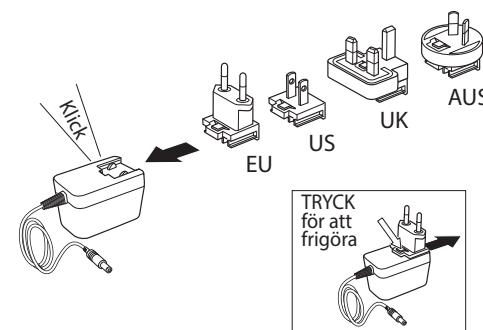
- hyponatremi,
- hypotermi,
- perforering av livmodern/falsk gång som resulterar i möjlig skada på tarmen, urinblåsan, större blodkärl och urinledaren,
- perforering av urinblåsan/falsk gång som resulterar i möjlig skada på tarmen, livmodern, större blodkärl och urinledaren,
- lungödem,
- hjärnödem,
- infektion,
- blödning,
- smärta,
- vasovagala episoder,
- urinrörstrauma (specifikt för cystoskopi).

Användning av normal saltlösning som utvidgningsmedel och begränsning av den infuserade volymen till mindre än 1 000 ml rekommenderas för att minska risken för ovanstående komplikationer. Intrauterin vidgning kan vanligen åstadkommas med tryck i intervallet 35–75 mmHg. Om inte det systemiska blodtrycket är överdrivet högt är det sällan nödvändigt att använda tryck större än 75–80 mmHg.

BRUKSANVISNING:

Läs bruksanvisningen före användning av enheten!

1. Kontrollera förpackningen noga med avseende på skador före användning. Försök INTE använda enheten om den sterila barriären är skadad. Använd INTE efter utgångsdatum.
2. Ta bort LiNA OperåScope™ från den steriliserade blisterförpackningen (**figur 2**) med hjälp av steril teknik.
3. Fäst inloppslangen för vätska till inloppsöppningen och utloppslangen till utloppsöppningen (**figur 3**).
4. LiNA OperåScope™ kan via HDMI-kabeln anslutas till en extern monitor eller Recording Module. Obs! Innan du använder LiNA OperåScope™ Recording Module ska du se till att fästa väggkontakten som är relevant för de lokala vägguttagen samt kontrollera att enheten är ansluten och att den gröna strömlampnan är tänd.



5. Ta bort batteriet från den steriliserade blisterförpackningen och sätt in batteriet i LiNA OperåScope™-handtaget (**figur 6**).
6. Ljuskällan vid den distala spetsen av kanylen kommer att lysa och kamerabilden bör vara synlig på den inbyggda LCD-skärmen. Om belysningen eller kamerabilden inte fungerar ska du avbryta installationen och öppna en ny LiNA OperåScope™ (**figur 7**).
7. Spola vätskan genom kanylen tills alla luftbubblor har rensats bort från slangen (**figur 8**).
8. LiNA OperåScope™ är nu klar för användning.
9. Med vätska som flödar förs kanylen in genom livmoderhalskanalen eller urinröret medan man tittar på bilden, som vid standardförfarande för införande av LiNA OperåScope™ (**figur 9**).
10. Sätt in USB-stickan i LiNA OperåScope™ Recording Module och säkerställ att HDMI-kabeln är ansluten från LiNA OperåScope™, om bild- eller videoinspelning önskas. Både LiNA OperåScope™-handtaget och Recording Module har knappar för bild- och videoinspelning. Tryck in och släpp upp bildknappen för att ta en stillbild. Tryck in och släpp upp videoknappen för att starta inspelning. Upprepa för att stoppa inspelningen (**figur 5**).
Obs! När LiNA OperåScope™ Recording Module är upptagen lyser LED-lamporna blått.
11. LiNA OperåScope™ har mittlumen placerad inom handtagets vridreglage (**figur 9**) och tillhandahåller en ledning för införande av diagnostiska och terapeutiska instrument/tillbehör till livmodern eller urinblåsan. Instrument/tillbehör med följande dimensioner är kompatibla med mittlumen på LiNA OperåScope™:
 - Maximal ytterdiameter: 1,86 mm (5.5 tum)
 - Minsta brukslängd: 310 mm
12. Efter att ingreppet är utfört avlägsnar du LiNA OperåScope™ (**figur 10**).
13. Ta bort batteripaketet och kassera batterierna. Enheten kan nu kasseras säkert i enlighet med lokala förordningar (**figur 11**).
14. Avlägsna USB-stickan från LiNA OperåScope™ Recording Module och överför inspelningarna till en dator via en USB-port (**figur 12**).

Tekniska specifikationer för LiNA OperåScope™

| | |
|--------------------------------|---|
| Nominell ingångsspänning: | 3 V DC ±10 % |
| Nominell ström: | 330 mA ±20 % |
| Batterityp: | 2 st. alkaliska AA Energizer-batterier på 1,5 V (ej uppladdningsbara) |
| Drifttid: | ≤ 60 minuter |
| Kameraupplösning: | 400 × 400 pixlar |
| Diagonal storlek på LCD-skärm: | 4,3 tum |
| Minsta brukslängd: | 240 mm |
| Förmonterad toppvinkel: | 20° ±5° |

Hållbarhetsförhållanden

Hållbarheten för LiNA OperåScope™ är 36 månader. Testenheterna utsattes sedan för simulerade leveransvillkor per ASTM D4169, cykel 13, försäkringsnivå 1. Alla enheter inspekterades och underkastades konstruktionsverifieringstest och uppfyllde alla acceptanskriterier.



LiNA OperåScope™

REF OP-201-6-I, OP-RM-1-UK, OP-RM-1-EU, OP-RM-1-AUS

LiNA OPERÅSCOPE™ RECORDING MODULE:

Strömförsörjningen för LiNA OperåScope™ Recording Module förbereds enligt punkt 4 ovan i bruksanvisningen. De olika referensnumren hänvisar till det aktuella uttaget.

- OP-RM-1-EU (för användning i de flesta EU-länder – kontakttyp C)
- OP-RM-1-UK (för användning i Storbritannien och andra länder som använder kontakttyp G)
- OP-RM-1-AUS (för användning i Australien och andra länder som använder kontakttyp I)

Nedladdning av video-/stillbildsfiler efter en procedur

Video och stillbilder kan laddas ner från LiNA OperåScope™ via USB-porten på LiNA OperåScope™ Recording Module och importeras till patientjournalen. Eftersom det inte finns någon patientidentifierande information i video-/stillbildsfilen bör den nedladdade filen laddas upp och sparas i patientjournalen omedelbart efter proceduren för att säkerställa en korrekt koppling mellan filen och patienten.

Visning av inspelade videofilmer/stillbilder på datorn

Steg 1

Sätt i USB-stickan i datorns USB-port.

Steg 2

Ladda ner och installera tilläggscodec-programvara för Windows Media Player, t.ex. Media Player Codec Pack.

Steg 3

Klicka på "Start" i Windows och välj mappen där din MPEG 4-fil finns, till exempel Filmer eller Hämtade filer.

Steg 4

Högerklicka på videon och välj "Öppna med". Välj "Windows Media Player" från listan med tillgängliga val för att börja visa dina videor/bilder.

Obs! LiNA OperåScope™ Recording Module ska kasseras enligt lokala bestämmelser för elektroniskt avfall.

Rengöring före ingrepp

LiNA OperåScope™ Recording Module är avsedd för användning utanför det sterila området och på avstånd från patienten. Då LiNA OperåScope™ Recording Module inte är avsedd att komma i direkt kontakt med patienten kan enheten utsättas för kroppsvätskor och/eller blod när den används i operationsrummet under patientens behandling.

Följ dessa rengörings-/desinficeringsinstruktioner efter varje patientanvändning för att säkerställa korrekt rengöring av externa komponenter.



SÅNK INTE NER LiNA OPERÅSCOPE™ RECORDING MODULE I VÄTSKA.

UNDER RENGÖRING/DESINFEKTION AV LiNA OPERÅSCOPE™ RECORDING MODULE SKA DESS POSITION ORIENTERAS FÖR ATT MINIMERA RISKEN FÖR ATT VÄTSKA KOMMER I KONTAKT MED STRÖM-, USB-, VERKTYGS- OCH SKÄRMKONTAKTER.

FODRALET TILL LiNA OPERÅSCOPE™ RECORDING MODULE SKA INTE ÖPPNAS FÖR RENGÖRING/DESINFEKTION.

VARNING: INGA MODIFIKATIONER AV DENNA UTRUSTNING ÄR TILLÅTNA.

1. Stäng av och koppla ur LiNA OperåScope™ Recording Module.
2. Placera LiNA OperåScope™ Recording Module och dess strömsladd på en ren och torr yta.
3. Rengör hela toppen, botten och alla fyra sidor av LiNA OperåScope™ Recording Module med hjälp av en rengörings-/desinficeringsstrasa.
4. Kontrollera utsidan visuellt beträffande kvarvarande kroppsvätskor eller smuts och upprepa avtorkningen.
5. Låt LiNA OperåScope™ Recording Module stå i minst tre minuter.
6. Torka noggrant av sömmarna på modulen med en 70-procentig isopropanolvätska, så att modulen är helt fri från kroppsvätskor.
7. När modulen är visuellt ren placerar du enheten på en förvaringsplats för framtida användning.

7 års livslängd för LiNA OperåScope™ Recording Module-batteriet:

LiNA OperåScope™ Recording Module-batteriet har en livslängd på 7 år från tillverkningsdatumet och kommer att bytas ut före det förväntade utgångsdatumet.

Nominell ingångsspänning: 100–240 V AC ±10 %
Nominell infrekvens: 50–60 Hz
Nominell ingångsström: 0,16–0,08 Arms vid maxbelastning
Nominell utgångsspänning: Uut: 9 V DC +5 %/-5 %



LiNA OperåScope™

REF OP-201-6-I, OP-RM-1-UK, OP-RM-1-EU, OP-RM-1-AUS

Nominell utgångsström, lut: 800 mA
AC-adapter som medföljer: Friwo Fox 9 V DC/800 mA

Allmän information:

Omgivningsförhållanden under transport och förvaring:

Temperatur 0 °C till +55 °C
 Luftfuktighet 10 % till 90 %
 Atmosfäriskt tryck 70 kPa till 106 kPa

Omgivningsförhållanden under användning:

Temperatur +10 °C till +40 °C
 Luftfuktighet 35 % till 75 %
 Atmosfäriskt tryck 70 kPa till 106 kPa

LiNA OperåScope™ överensstämmer med standarderna i EMC: Elektrisk utrustning för medicinskt bruk – DEL 1–2: Allmänna fordringar beträffande säkerhet och väsentliga prestanda.

- OBS! Med hänsyn till utrustningens strålningsegenskaper är den lämplig att använda i industriområden och på sjukhus/kliniker (CISPR 11 Klass A). Utrustningen är inte avsedd för användning utanför sjukhus eller kliniska miljöer.
- Immunitet enligt professionell hälso- och sjukvårdsmiljö.

Open Source-programvara i LiNA OperåScope™ Recording Module:

Produkten innehåller bland annat Open Source-programvara, licenserad under en Open Source-programvarulicens och utvecklad av tredje part. Dessa Open Source-programfiler är skyddade enligt upphovsrätt. Dina rättigheter att använda Open Source-programvaran utöver körning av LiNA Medicals program regleras av villkoren för den relevanta Open Source-programvarulicensen.

Om du uppfyller dessa licensvillkor ges du rätten att använda Open Source-programvaran enligt vad som uppges i den relevanta licensen. I händelse av konflikter mellan LiNA Medicals licensvillkor och licensvillkoren för Open Source-programvaran ska villkoren för Open Source-programvaran gälla med hänsyn till programvarans olika delar. Open Source-programvaran är licensierad royaltyfri (dvs ingen avgift tas ut för att utöva de licensierade rättigheterna, medan avgifter kan debiteras för återbetalning av kostnader åsamkade av LiNA Medical).

En lista över Open Source-program som finns i denna produkt samt Open Source-programvarulicenser finns tillgängliga i detta dokument.

Om program i denna produkt är licensierade under GNU General Public License (GPL), GNU Lesser General Public License (LGPL) eller någon annan Open Source-programvarulicens som kräver att källkoden görs tillgänglig, och denna programvara inte redan levererats i källkodsformat tillsammans med enheten, kan du begära motsvarande källkod från LiNA Medical genom att betala en avgift på 5 euro för den fysiska handling som överföringen av kopian kräver. Skicka din specifika begäran inom tre år efter inköpsdatum av denna produkt, tillsammans med produktens namn och/eller ID-nummer till:

LiNA Medical
 Formervangen 5
 DK-2600 Glostrup
 Danmark
 www.lina-medical.com

Garanti för vidare användning av Open Source-programvaran:

LiNA Medical ger ingen garanti för Open Source-programmen som finns i den här enheten om sådana program används på något annat sätt än enligt avsett programutförande. Licenserna nedan definierar garantin, om sådan finns, från författaren eller licensgivaren av Open Source-programvaran. LiNA Medical avvisar specifikt alla garantier för fel orsakade av förändring i ett Open Source-program eller i produktens konfiguration. Du har inga garantianspråk mot LiNA Medical i händelse av att Open Source-programvaran kränker en tredje parts immateriella rättigheter. Teknisk support, om någon, kommer endast att tillhandahållas för icke-modifierad programvara.

Rapportering:

Alla allvarliga händelser som har inträffat i samband med enhetens användning ska rapporteras till LiNA Medical ApS och den behöriga tillsynsmyndigheten i det land där användaren och/eller patienten befinner sig. WWCE-märkning 2020.





LiNA OperåScope™

REF OP-201-6-I, OP-RM-1-UK, OP-RM-1-EU, OP-RM-1-AUS

no

TILTENKT BRUK:

LiNA OperåScope™ for hysteroskopi:

LiNA OperåScope™ er utviklet for å visualisere canalis cervicis uteri og livmorhulen under gynekologiske prosedyrer for diagnostisk formål eller behandlingsformål.

LiNA OperåScope™ for cystoskopi:

LiNA OperåScope™ er utviklet for å visualisere det kvinnelige urinrøret og blærehulen under cystoskopiprocedyrer for diagnostisk formål eller behandlingsformål.

PASIENTPOPULASJON:

Unge eller eldre pasienter med gynekologiske prosedyrer for diagnostisk formål og behandlingsformål som krever visualisering av canalis cervicis uteri og livmorhulen.

Unge eller eldre kvinnelige pasienter med cystoskopiprocedyrer for diagnostisk formål og behandlingsformål som krever visualisering av urinrøret og blærehulen.

De ulike typene prosedyrer der LiNA OperåScope™ kan tilby visualisering, omfatter følgende:

- Hysteroskopi:
 - Vurdering av unormal blødning, bekkenmerter, amenorré og unormale funn fra hysterosalpingogram.
 - Vurdering av infertilitet og tap av graviditet.
 - Kontrollere om det er et fremmedlegeme i livmoren.
 - Bidra til å finne fibrom og polyper i submucosa som skal fjernes.
 - Gi visuell veiledning under dirigert biopsi, polypektomi, myomektomi i submucosa, transeksjon av intrauterine adhesjoner og septa.
- Cystoskopi:
 - Med LiNA OperåScope™ kan man se den kvinnelige urinblæren gjennom en minimalt invasiv tilnærming ved å bruke naturlige åpninger for å få tilgang til det diagnostiske området.
 - Gir videre visuell guiding under følgende diagnostiske prosedyrer og behandlingsprosedyrer: vurdering av tilbakevendende urinveisinfeksjoner (UVI), bekkenmerter, problemer med å urinere, urininkontinens, dirigert biopsi, fjerning av polyper og blæresteiner, injeksjoner med botulinumtoksin (f.eks. Botox), innsetting og/eller fjerning av stent i urinveiene, undersøkelse av skader på blæren og urinrøret og vurdering med tanke på om urinlederne er åpne.

PRODUKTBESKRIVELSE:

LiNA OperåScope™ er et batteridrevet skop til engangsbruk med en kanyler og LCD-skjerm med en 3 m lang HDMI-kabel festet til håndtaket. LiNA OperåScope™ leveres sterilt og er sterilisert ved hjelp av etylenoksid, og batteripakken er sterilisert ved hjelp av stråling.

Kanylen med en (nominell) diameter på 4,2 mm består av et minikamera og LED-lys på den distale spissen, og en forhåndsbuert del av kanylespissen roteres ved å dreie på en knott (**Figur 7**) på håndtaket. Denne dreieknotten har en innsetningskanal i midten for innføring av instrumenter/tilbehør med en nominell diameter på opptil 1,86 mm (5,5 Fr) og en minste fungerende lengde på 310 mm. Distensjon og spyling av livmoren/blærehulen med et distensjonsinstrument kan gjøres med separate innstrøms- og utstrøms-luer lock-stoppekraner nederst på håndtaket. HDMI-kabelen nederst på håndtaket kan kobles til en ekstern skjerm med HDMI-inngang, eller alternativt kan den kobles til LiNA OperåScope™ Recording Module for å ta opp video eller lagre bilder på en standard USB-stasjon (sørg for at du har ledig plass på USB-stasjonen).

Visualiseringen kan optimaliseres under bruk ved å justere lysstyrken (belysningen). Lysstyrken styres ved hjelp av lysstyrkeknappen (**Figur 5**) på håndtaket. Standardinnstillingen er ved maksimal lysstyrke.

I tillegg til LiNA OperåScope™ er LiNA OperåScope™ Recording Module (**Figur 4**) tilgjengelig hvis du ønsker å ta både stillbilder og ta opp video for å se på senere. LiNA OperåScope™ Recording Module leveres usteril og er utviklet for å kobles til HDMI-kabelen på LiNA OperåScope™. LiNA OperåScope™ Recording Module er ikke tiltenkt å komme i kontakt med det sterile feltet eller pasienten.

LiNA OperåScope™ og Recording Module skal brukes under vanlige omgivelsestilstander og oppbevares tørt og ved romtemperatur.



LiNA OperåScope™

REF OP-201-6-I, OP-RM-1-UK, OP-RM-1-EU, OP-RM-1-AUS

Miljøforhold under transport og oppbevaring:

| | |
|-------------------|--------------------|
| Temperatur | 0 °C til + 55 °C |
| Luftfuktighet | 10 % til 90 % |
| Atmosfærisk trykk | 70 kPa til 106 kPa |

Miljøforhold under bruk:

| | |
|-------------------|--------------------|
| Temperatur | +10 °C til +40 °C |
| Luftfuktighet | 35 % til 75 % |
| Atmosfærisk trykk | 70 kPa til 106 kPa |

TILBEHØR:

Følgende tilbehør kan brukes sammen med LiNA OperåScope™:

- LiNA OperåScope™ Recording Module
- Kommersielt tilgjengelig slangesystem for væskeadministrasjon med en hann-luer-lock
- Kommersielt tilgjengelige instrumenter/tilbehør for diagnostiske formål / behandlingsformål

KONTRAINDIKASJONER:

Apparatet er kontraindisert for bruk av hysteroskopi ved følgende:

- manglende mulighet til å utvide livmoren
- cervikal stenose
- cervikal/vaginal infeksjon
- blødning fra livmoren eller menses
- kjent graviditet
- kjent karsinom i cervix uteri og/eller livmoren
- nylig perforering av livmoren
- kjent bekkenbetennelsessykdom (PID)
- medisinsk kontraindikasjon eller intoleranse overfor anestesi

Apparatet er kontraindisert for bruk av cystoskopi ved følgende:

- kjent bekkenbetennelsessykdom (PID)
- akutt/kjent urinveisinfeksjon
- alvorlig koagulopati

ADVARSLER:

Hvis ikke alle instruksjoner eller eventuelle advarsler eller forsiktighetsregler følges, kan det føre til alvorlig pasientskade.

- LiNA OperåScope™ leveres STERILT og er sterilisert ved hjelp av etylenoksid (LiNA OperåScope™) og sterilisert ved hjelp av stråling (batteriet). Undersøk emballasjen nøye for skade før bruk. Forsøk IKKE å bruke enheten hvis den sterile barrieren er brutt. Apparatet skal IKKE brukes etter utløpsdatoen. Må IKKE brukes hvis apparatet har blitt eksponert for usterile overflater før prosedyren.
- Lite lys på den laveste lysstyrkeinnstillingen kan begrense visualiseringen og være uegnet for kirurgiske prosedyrer. Personer som bruker apparatet, må kontrollere at lysstyrkeområdet egner seg for den planlagte prosedyren, før bruk.
- Ikke før LiNA OperåScope™ lenger inn dersom du merker motstand.
- Ikke forsøk å endre formen på den distale kanylen.
- Kun til engangsbruk. LiNA OperåScope™ skal IKKE brukes om igjen, behandles om igjen eller steriliseres om igjen. Enhver dekontaminering kan hindre funksjonene til denne enheten. Hvis du bruker enheten for engangsbruk om igjen, kan det også øke risikoen for krysskontaminering. Forsøk på å rengjøre apparatet resulterer i en risiko for fat apparatet funksjonssvikt og/eller at det innhentes feilaktige patologiprøver på grunn av rest-vev i LiNA OperåScope™.
- Fjern ikke batteriet under behandlingsprosessen.
- Sørg for at du alltid har en reserveenhet lett tilgjengelig, slik at den umiddelbart kan tas i bruk.
- Skal bare brukes med batteriene som leveres sammen med hvert enkelt LiNA OperåScope™-apparat. Batteriene er alkaliske AA-batterier av merket Energizer i en dedikert batteripakke for LiNA OperåScope™.
- LiNA OperåScope™ er utviklet for å ha 60 minutter med batteritid.
- Hvis apparatet skulle svikte på noen måte under bruk eller batteriet går tomt for strøm, må du umiddelbart stoppe prosedyren og forsiktig trekke LiNA OperåScope™ ut og erstatte det med et nytt LiNA OperåScope™.
- Bærbart RF-kommunikasjonsutstyr (inkludert periferiutstyr som antennekabler og eksterne antenner) skal ikke brukes innenfor 30 cm (12 tommer) fra LiNA OperåScope™, ettersom det kan føre til at ytelsen til LiNA OperåScope™ reduseres.



- Bruk av annet tilbehør eller andre transduere og kabler enn dem som er angitt, kan føre til endrede elektromagnetiske egenskaper, noe som igjen potensielt kan føre til at apparatet ikke fungerer som det skal.
- Bruk av LiNA OperåScope™-utstyr i nærheten av annet utstyr bør unngås fordi det kan føre til at apparatet ikke fungerer som det skal. Hvis slik bruk er nødvendig, må dette utstyret og det andre utstyret observeres for å kontrollere at det fungerer normalt.
- Unngå å senke LiNA OperåScope™-håndtaket, -batteriet, -HDMI-porten og/eller LCD-skjermen ned i væske. Hvis LiNA OperåScope™ likevel senkes ned i eller havner under vann, må du sørge for at LiNA OperåScope™ tørkes godt av og fremdeles fungerer som det skal, før du tar det i bruk klinisk. Hvis LiNA OperåScope™ ikke fungerer, må du bytte det ut med et nytt apparat.
- Du må bare føre inn LiNA OperåScope™ eller manipulere det når du har et direktebilde fra kameraet og god belysning. Dette er viktig for å unngå risikoen for perforering.
- Hysteroskopiprocedyrer som bruker LiNA OperåScope™, skal bare utføres av medisinske fagpersoner som har tilstrekkelig med opplæring i bruk av hysteroskopi.
- Cystoskopiprocedyrer som bruker LiNA OperåScope™, skal bare utføres av helsepersonell som har tilstrekkelig med opplæring i bruk av cystoskopi.
- Et flytende distensjonsmiddel brukes, og væskeinntak og vannlating må overvåkes strengt hele tiden. Instillasjon i livmoren som overstiger 1 liter, må utføres med stor forsiktighet for å redusere faren for væskeoverbelastning.

FORSIKTIGHETSREGLER:

Potensielle generelle komplikasjoner ved bruk av LiNA OperåScope™

Før hver bruk, eller etter at du har endret innstillinger på LiNA OperåScope™, må du kontrollere at du ser et direktebilde på LiNA OperåScope™ (og ikke et bilde som er lagret), og at bilderetningen er riktig.

Hvis du ikke skyller/irrigerer kontinuerlig når du bruker LiNA OperåScope™, kan driftstemperaturen på den distale tuppen overstige 41 °C (105,8 °F).

Når LiNA OperåScope™ Recording Module er koblet til LiNA OperåScope™, må du sørge for at strømforsyningsenheten er lett tilgjengelig hvis du skulle få behov for å koble fra strømmen.

Sørg for at LiNA OperåScope™ Recording Module og skjermen er utenfor pasientens rekkevidde.

Potensielle komplikasjoner ved avbruddsfri hysteroskopi/cystoskopi:

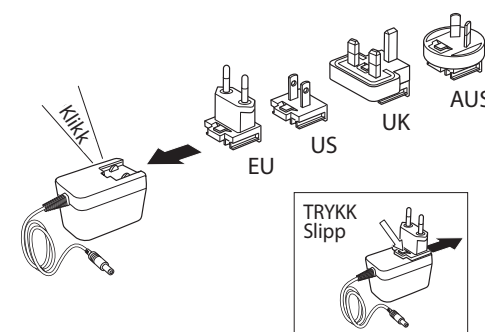
- hyponatremi
- hypotermi
- perforering av livmoren / falsk passasje som potensielt kan føre til skade på tarm, blære, store blodkar og urinleder
- perforering av blæren / falsk passasje som potensielt kan føre til skade på tarm, livmor, store blodkar og urinleder
- lungeødem
- hjerneødem
- infeksjon
- blødning
- smerter
- episoder med blodtrykkfall
- traume på urinrøret (knyttet spesifikt til cystoskopi)

Det anbefales å bruke normal saltvannsløsning som distensjonsmiddel og å begrense det infuserte volumet til under 1000 ml for å redusere risikoen for komplikasjonene over. Distensjon av livmoren kan vanligvis oppnås med trykk i området 35–75 mmHg. Med mindre det systemiske blodtrykket er for høyt, er det sjelden nødvendig å bruke trykk over 75–80 mmHg.

INSTRUKSJONER FOR BRUK:

Les bruksanvisningen nøye før du bruker enheten!

1. Se nøye etter eventuelle skader på emballasjen før bruk. Forsøk IKKE å bruke enheten hvis den sterile barrieren er brutt. Apparatet skal IKKE brukes etter utløpsdatoen.
2. Med steril teknikk tar du LiNA OperåScope™ ut av den steriliserte blisterpakningen (**Figur 2**).
3. Fest væskeslangen for inngående væske til porten for inngående væskestrøm, og væskeslangen for utgående væske til porten for utgående væskestrøm (**Figur 3**).
4. LiNA OperåScope™ kan kobles til en ekstern skjerm eller Recording Module via en HDMI-kabel. Merk: Før du bruker LiNA OperåScope™ Recording Module, må du sørge for å feste den relevante stikkontakten for de lokale vegguttakene og kontrollere at apparatet er koblet til, og at den grønne strømlampen lyser.



5. Ta batteriet ut av den steriliserte blisterpakningen, og sett batteriet inn i LiNA OperåScope™-håndtaket (**Figur 6**).
6. Lyskilden på den distale spissen av kanylen lyser opp, og kamerabildet skal vises på den innebygde LCD-skjermen. Hvis lyset eller kamerabildet ikke fungerer, avbryter du og åpner et nytt LiNA OperåScope™ (**Figur 7**).
7. Spyl væsken gjennom kanylen til det ikke er noen luftbobler igjen i slangen (**Figur 8**).
8. LiNA OperåScope™ er nå klart til bruk.
9. Med væske strømmende fører du kanylen inn gjennom canalis cervicis anterior eller urinrøret mens du ser på bildet. Dette er standardprosedyren for innføring av LiNA OperåScope™ (**Figur 9**).
10. Hvis du ønsker å ta bilder eller ta opp video, setter du en USB-minnepinne inn i LiNA OperåScope™ Recording Module og sørger for at HDMI-kabelen fra LiNA OperåScope™ kobles til. Både LiNA OperåScope™-håndtaket og Recording Module har knapper for å ta bilder og ta opp video. Trykk på og slipp bildeknappen for å ta et stillbilde. Trykk på og slipp videoknappen for å starte opptak. Trykk på og slipp videoknappen på nytt for å stoppe opptaket (**Figur 5**).
Merk: Når LiNA OperåScope™ Recording Module er i bruk, blinker LED-lampen blått.
11. LiNA OperåScope™ har et sentralt lumen i dreieknoten på håndtaket (**Figur 9**) som fungerer som en bane for innføring av instrumenter/tilbehør inn i livmoren eller blærehulen for diagnostisk formål eller behandlingsformål. Instrumenter/tilbehør med følgende mål er kompatible med det sentrale lumenet i LiNA OperåScope™:
 - Maksimum utvendig diameter: 1,86 mm (5,5 Fr)
 - Minimum brukbar lengde: 310 mm
12. Etter at prosedyren er fullført, fjerner du LiNA OperåScope™ (**Figur 10**).
13. Fjern batteripakken, og kasser batteriet. Apparatet kan nå trygt avhendes i samsvar med gjeldende lokale regler (**Figur 11**).
14. Fjern USB-pinnen fra LiNA OperåScope™ Recording Module, og overfør opptakene til en datamaskin ved å sette USB-pinnen inn i en USB-port (**Figur 12**).

Tekniske spesifikasjoner for LiNA OperåScope™

| | |
|-------------------------------------|---|
| Nominell inngangsspenning: | 3 V (likestrøm) ±10 % |
| Nominell strøm: | 330 mA ±20 % |
| Batteritype: | 2 stk. AA 1,5 V alkaliske Energizer-batterier (ikke oppladbare) |
| Driftstid: | ≤ 60 minutter |
| Kameraoppløsning: | 400 x 400 piksler |
| Diagonal størrelse på LCD-skjermen: | 4,3 tommer |
| Minimum brukbar lengde: | 240 mm |
| Vinkel på forhåndsfestet tupp: | 20° ±5° |

Vilkår for holdbarhet

Holdbarheten til LiNA OperåScope™ er på 36 måneder. Testenhetene ble utsatt for simulerte forsendelsesforhold i henhold til ASTM D4169, sykhus 13, sikkerhetsgrad 1. Alle enheter ble kontrollert og utsatt for kontrollprøving av design og oppfylte alle kriteriene.



LiNA OperåScope™

REF OP-201-6-I, OP-RM-1-UK, OP-RM-1-EU, OP-RM-1-AUS

LiNA OPERÅSCOPE™ RECORDING MODULE:

Strømforsyningen for LiNA OperåScope™ Recording Module klargjøres i henhold til punkt 4 i instruksjoner for bruk over. De ulike ref.-numrene refererer til den relevante sokkelen.

- OP-RM-1-EU (for bruk i de fleste EU-land – sokkeltype C)
- OP-RM-1-UK (for bruk i Storbritannia og andre land som bruker sokkeltype G)
- OP-RM-1-AUS (for bruk i Australia og andre land som bruker sokkeltype I)

Nedlasting av video-/stillbildefiler etter prosedyren

Video og stillbilder kan lastes ned fra LiNA OperåScope™ via USB-minnepinnen for LiNA OperåScope™ Recording Module og importeres til pasientens journal. Ettersom det ikke er noe informasjon som kan identifisere pasienten i videoen / på stillbildene, må den nedlastede filen lastes opp og lagres i pasientens journal umiddelbart etter prosedyren for å sikre at filen knyttes til riktig pasient.

Avspilling av videoopptak / lagrede stillbilder på datamaskin

Trinn 1

Sett USB-minnepinnen inn i USB-porten på datamaskinen.

Trinn 2

Last ned og installer ekstra kodekprogramvare for Windows Media Player, for eksempel Media Player Codec Pack.

Trinn 3

Klikk på Start i Windows, og velg mappen der MPEG 4-filen ligger, for eksempel Mine videoer eller Mine nedlastinger.

Trinn 4

Høyreklikk på videoen, og velg Åpne med. Velg Windows Media Player fra de tilgjengelige alternativene for å begynne å spille av videoen/bildene.

Merk: LiNA OperåScope™ Recording Module skal avhendes i samsvar med gjeldende lokale regler og klassifiseres som elektronisk avfall.

Rengjøring etter prosedyren

LiNA OperåScope™ Recording Module er ment å skulle brukes utenfor det sterile feltet og ikke i nærheten av pasienten. Selv om LiNA OperåScope™ Recording Module ikke er ment å skulle komme i direkte kontakt med pasienten, kan apparatet bli eksponert for kroppsvæsker og/eller blod, ettersom det brukes i operasjonsstuen under behandling av pasienten.

Etter bruk på hver pasient må du følge disse instruksjonene for rengjøring/desinfisering for å sikre at de eksterne komponentene rengjøres godt nok.



LiNA OPERÅSCOPE™ RECORDING MODULE MÅ IKKE SENKES NED I VÆSKE.

UNDER RENGJØRING/DESINFISERING MÅ LiNA OPERÅSCOPE™ RECORDING MODULE HOLDES SLIK AT MINST MULIG VÆSKE KOMMER I KONTAKT MED STRØMKONTAKTEN, USB-PORTEN, SKOPKONTAKTEN OG SKJERMKONTAKTEN.

DEKSELET TIL LiNA OPERÅSCOPE™ RECORDING MODULE SKAL IKKE ÅPNES FOR RENGJØRING/DESINFISERING.

ADVARSEL: INGEN MODIFIKASJON AV DETTE UTSTYRET ER TILLATT.

1. Slå av og koble fra LiNA OperåScope™ Recording Module.
2. Plasser LiNA OperåScope™ Recording Module og strømledningen på en ren og tørr overflate.
3. Vask over hele LiNA OperåScope™ Recording Module – oppå, under og på alle fire sider – med en rengjørings-/desinfiseringsmiddel.
4. Etter rengjøring må du inspisere eksteriøret for å se etter rester av kroppsvæsker eller smuss. Gjenta eventuelt rengjøringen.
5. La LiNA OperåScope™ Recording Module stå uten å røre den i minst 3 minutter.
6. Vask over sømmene på modulen med en vattpinne fuktet med 70 % isopropyl, og sørg for at modulen er helt fri for kroppsvæsker.
7. Når du ser at modulen er ren, setter du den til oppbevaring for senere bruk.

Lagringsbestandigheten til batteriet i LiNA OperåScope™ Recording Module er på 7 år:

Batteriet i LiNA OperåScope™ Recording Module har en holdbarhet på 7 år fra produksjonsdatoen og må byttes ut innen denne tiden.

Nominell inngangsspenning: 100–240 V AC ±10 %

Nominell inngangsfrekvens: 50–60 Hz



LiNA OperåScope™

REF OP-201-6-I, OP-RM-1-UK, OP-RM-1-EU, OP-RM-1-AUS

Nominell inngangsstrøm: 0,16–0,08 Arms ved maks. belastning
Nominell utgangsspenning: Uout: 9 V (likestrøm) +5 % / -5 %
Nominell utgangsstrøm lout: 800 mA
Vekselstrømadapter medfølger: Friwo Fox 9 V (likestrøm) / 800 mA

Generell informasjon:

Miljøforhold under transport og oppbevaring:

Temperatur 0 °C til + 55 °C
 Luftfuktighet 10 % til 90 %
 Atmosfærisk trykk 70 kPa til 106 kPa

Miljøforhold under bruk:

Temperatur +10 °C til +40 °C
 Luftfuktighet 35 % til 75 %
 Atmosfærisk trykk 70 kPa til 106 kPa

LiNA OperåScope™ overholder standarder for medisinsk elektrisk utstyr: Elektromedisinsk utstyr – Del 1-2: Generelle krav til grunnleggende sikkerhet og vesentlige ytelser.

- Merk: Utslippskarakteristikene til dette utstyret gjør at det egner seg for bruk i industriområder og på sykehus/klinikker (CISPR 11, klasse A). Dette utstyret er ikke indisert for bruk utenfor et sykehus eller klinisk miljø.
- Immunitet i henhold til et profesjonelt helsemiljø.

Åpen kilde-programvare brukt i LiNA OperåScope™ Recording Module:

Produktet består blant annet av åpen kilde-programvare, lisensiert under en lisens for åpen kilde-programvare og utviklet av tredjeparter. Disse åpen kilde-programvarefilene er beskyttet av opphavsrett. Retten din til å bruke åpen kilde-programvaren utover det å rent kjøre LiNA Medicals-programmer, styres av de relevante lisensvilkårene for åpen kilde-programvare.

Så lenge du overholder disse lisensvilkårene, har du rett til å bruke åpen kilde-programvaren slik det er fastlagt i den relevante lisensen. I tilfelle konflikter mellom LiNA Medical-lisensvilkår og lisensvilkårene for åpen kilde-programvare, skal lisensvilkårene for åpen kilde-programvare ha forrang når det gjelder åpen kilde-programvaredelene av programvaren. Åpen kilde-programvaren er lisensiert royalty-fri (dvs. at ingen gebyr kreves for å utøve rettene i lisensen, mens det derimot kan kreves gebyr for tilbakebetaling av kostnader som LiNA Medical har pådratt seg).

En liste over åpen kilde-programvare som dette produktet inneholder, og lisensene for åpen kilde-programvare, er tilgjengelige i dette dokumentet.

Hvis programmer som er en del av dette produktet, er lisensiert under GNU General Public License (GPL), GNU Lesser General Public License (LGPL) eller noen annen lisens for åpen kilde-programvare, som krever at kildekoden skal være tilgjengelig, og denne programvaren ikke allerede er levert i kildekodeform sammen med apparatet, kan du be om å få den tilhørende kildekoden fra LiNA Medical. Du må da betale et gebyr på 5 euro for selve forsendelsen av kildekoden. Send forespørselen innen tre år fra kjøpsdatoen for dette produktet sammen med navn på og/eller ID-nummer for produktet til:

LiNA Medical
 Formervangen 5
 DK-2600 Glostrup
 Danmark
www.lina-medical.com

Garanti når det gjelder videre bruk av åpen kilde-programvaren:

LiNA Medical gir ingen garanti for åpen kilde-programvaren som er en del av dette produktet, hvis slik programvare brukes på en annen måte enn for å kjøre programmet, slik det var tiltenkt av LiNA Medical. Lisensene som står oppført nedenfor, angir en eventuell garanti som forfatterne eller lisensgiverne av åpen kilde-programvaren gir. LiNA Medical frasier seg spesifikt enhver garanti for feil eller mangler som forårsakes av endring av åpen kilde-programvare eller produktets konfigurasjon. Du har ikke mulighet til å fremsette noen garantikrav mot LiNA Medical i tilfelle åpen kilde-programvaren krenker en tredjeparts intellektuelle rettigheter. Teknisk kundestøtte, hvis det finnes, gis bare for umodifisert programvare.

Rapportering:

Alle alvorlige hendelser som har oppstått i forbindelse med enheten, skal rapporteres til LiNA Medical ApS og den kompetente reguleringsmyndigheten i landet der brukeren og/eller pasienten bor. WWCE-merke 2020.



**KÄYTTÖTARKOITUS:****LiNA OperåScope™ hysteroskopiassa:**

LiNA OperåScope™ on tarkoitettu kohdunkaulan kanavan ja kohtuontelon visualisointiin gynekologisten diagnostiikka- ja hoitotoimenpiteiden aikana.

LiNA OperåScope™ kystoskopiassa:

LiNA OperåScope™ on tarkoitettu virtsaputken ja virtsarakon visualisointiin naispotilaille tehtävien kystoskooppisten diagnostiikka- ja hoitotoimenpiteiden aikana.

POTILASRYHMÄ:

Nuoret tai vanhemmat potilaat, joille tehdään kohdunkaulan kanavan tai kohtuontelon visualisointia edellyttäviä gynekologisia diagnostiikka- tai hoitotoimenpiteitä.

Nuoret tai vanhemmat naispotilaat, joille tehdään virtsaputken ja virtsarakon visualisointia edellyttäviä kystoskooppisia diagnostiikka- tai hoitotoimenpiteitä.

LiNA OperåScope™ -tähytintä voidaan käyttää visualisointiin mm. seuraavanlaisissa toimenpiteissä:

- Hysteroskopia:
 - epänormaalin verenvuodon, lantiokivun, amenorreaan ja hysterosalpingogrammistaa saatujen epänormaalien löydösten arviointi
 - hedelmättömyyden ja raskauden keskeytymisen arviointi
 - kohdunsisäisen vierasesineen läsnäolon vahvistaminen
 - poistettavaksi tarkoitettujen limakalvonalaisten fibroidien ja polyyppien paikantamisessa auttaminen
 - visuaalinen ohjaus biopsian, polypektomian, submukoottisen myomektomian ja kohdunsisäisten kiinnikkeiden ja väliseinän transektion aikana.
- Kystoskopia:
 - LiNA OperåScope™ mahdollistaa naispotilaiden virtsarakon tähytyksen minimaalisesti invasiivisella tavalla, jossa käytetään luonnollisia aukkoja diagnosoitavaan paikkaan pääsemiseksi.
 - Lisäksi sitä voidaan käyttää visuaaliseen ohjaukseen seuraavien diagnostiikka- ja hoitotoimenpiteiden aikana: toistuvien virtsatieinfektioiden, lantiokivun, virtsaamisvaikeuksien ja virtsanpidätyskyvyttömyyden arviointi; ohjattu biopsia; polyyppien ja virtsakivien poisto, botuliinitoksiini-injektio (esim. Botox); virtsaputkistenttien sisäänvientien ja/tai poisto; virtsarakon ja virtsaputken tutkiminen vaurioiden varalta ja virtsanjohtimen avoimuuden arviointi.

TUOTEKUVAUS:

LiNA OperåScope™ on kertakäyttöinen paristolla toimiva tähystin, jossa on kanyyli ja nestekidenäyttö, joka liitetään kahvaan 3 m:n HDMI-kaapelilla. LiNA OperåScope™ toimitetaan steriilinä: tähystin on steriloitu etyleenioksidilla ja paristoyksikkö säteilyttämällä.

Nimellishalkaisijaltaan 4,2 mm:n kanyylin distaaliossa kärjessä on miniatyyrikamera ja LED-valo. Kanyylin kaarevaa kärkiosaa kierretään kahvassa olevalla kääntönupilla (**kuva 7**). Kääntönupin keskikohta toimii sisäänvientikanavana instrumenteille/apuvälineille, jotka ovat halkaisijaltaan enintään 1,86 mm (5,5 Fr) ja työpituudeltaan vähintään 310 mm. Kohtuontelon/virtsarakon laajentamista ja huuhtelua laajennusaineella helpottavat kahvan alaosassa olevat erilliset sisään- ja ulosvirtauksen luer-lukolliset sulkuhanat. Kahvan alaosassa oleva HDMI-kaapeli voidaan liittää ulkoiseen näyttöön HDMI-liitännällä tai vaihtoehtoisesti LiNA OperåScope™ Recording Module -yksikköön, jonka avulla videoita tai kuvia voidaan tallentaa tavalliseen USB-asemaan (varmista, että USB-asemassa on vapaata tallennustilaa).

Käytön aikana visualisointia voidaan optimoida säätämällä kirkkautta (valaistusta). Kirkkautta säädetään kahvassa olevalla kirkkaudensäätöpainikkeella (**kuva 5**). Oletusasetuksena on maksimikirkkaus.

LiNA OperåScope™ -tähytimen lisäksi saatavilla on LiNA OperåScope™ Recording Module (**kuva 4**), jolla voi ottaa sekä liikkumattomia still-kuvia että videokuvia myöhempää tarkastelua varten. LiNA OperåScope™ Recording Module toimitetaan epästeriilinä, ja se on tarkoitettu liitettäväksi LiNA OperåScope™ -tähytimen HDMI-kaapeliin. LiNA OperåScope™ Recording Module ei ole tarkoitettu joutumaan kosketuksiin steriiliin alueen tai potilaan kanssa.

LiNA OperåScope™ -tähytintä ja Recording Modulea on käytettävä normaaleissa ympäristöolosuhteissa, ja ne on säilytettävä huoneenlämmössä ja kuivassa paikassa.

**Ympäristöolosuhteet kuljetuksen ja varastoinnin aikana:**

| | |
|--------------|---------------|
| Lämpötila | 0 °C – +55 °C |
| Ilmankosteus | 10–90 % |
| Ilmanpaine | 70–106 kPa |

Ympäristöolosuhteet käytön aikana:

| | |
|--------------|-----------------|
| Lämpötila | +10 °C – +40 °C |
| Ilmankosteus | 35–75 % |
| Ilmanpaine | 70–106 kPa |

LISÄVARUSTEET:

LiNA OperåScope™ -tähytimen kanssa voidaan käyttää seuraavia lisävarusteita:

- LiNA OperåScope™ Recording Module
- kaupallisesti saatavilla olevia nesteenhallintaletkuja, joissa on urospuolinen luer-lukko
- kaupallisesti saatavilla olevia diagnostiikka- ja hoitokäyttöön tarkoitettuja instrumentteja/apuvälineitä.

VASTA-AIHEET:

Laitetta ei saa käyttää hysteroskopiaan seuraavissa tapauksissa:

- kohtua ei voida laajentaa
- kohdunkaulan ahtauma
- kohdunkaulan/emättimen infektio
- kohdun verenvuoto tai kuukautiset
- tiedossa oleva raskaus
- tiedossa oleva kohdunkaulan ja/tai kohdun karsinooma
- viimeaikainen kohdun perforaatio
- tiedossa oleva sisäsynnyntulehdus (Pelvic Inflammatory Disease, PID)
- lääkinnällinen kontraindikaatio tai yliherkkyys anestesia-aineille.

Laitetta ei saa käyttää kystoskopiaan seuraavissa tapauksissa:

- tiedossa oleva sisäsynnyntulehdus (Pelvic Inflammatory Disease, PID)
- akuutit tai tiedossa olevat virtsatieinfektio
- vakava koagulopatia.

VAROITUKSET:

Jos kaikkia ohjeita, varoituksia ja varotoimia ei noudateta, potilas voi loukkaantua vakavasti.

- LiNA OperåScope™ toimitetaan STERILINÄ: LiNA OperåScope™ -tähystin on steriloitu etyleenioksidilla ja paristo säteilyttämällä. Tarkista pakkaus ennen käyttöä huolellisesti vaurioiden varalta. ÄLÄ yritä käyttää laitetta, jos steriili suojus on vaurioitunut. Ei saa käyttää viimeisen käyttöpäivän jälkeen. ÄLÄ käytä laitetta, jos se on altistunut epästeriileille pinnoille ennen toimenpidettä.
- Heikko valon voimakkuus pienimmällä käytettävissä olevalla asetuksella voi rajoittaa visualisointia eikä välttämättä sovellu kirurgisiin toimenpiteisiin. Laitteen käyttäjien tulee tarkistaa ennen käyttöä, että valon voimakkuusalue soveltuu suunniteltuun toimenpiteeseen.
- Älä vie LiNA OperåScope™ -tähytintä eteenpäin sen ollessa potilaan sisässä, mikäli tunnet vastusta.
- Älä yritä muuttaa distaalisen kanyylin muotoa.
- Kertakäyttöinen. ÄLÄ käytä, käsittele tai sterioi LiNA OperåScope™ -tähytintä uudelleen. Uudelleenkäsitely voi häiritä laitteen toimintaa. Kertakäyttöisten laitteiden uudelleenkäyttö voi lisätä ristikontaminaation riskiä. Mikäli laitetta yritetään puhdistaa, se aiheuttaa riskin laitteen toimintahäiriöille ja/tai virheellisten patologisten näytteiden keräämiselle LiNA OperåScope™ -tähytimeen jäävien jäännöskudosten vuoksi.
- Akkua ei saa poistaa hoitoprosessin aikana.
- Pidä aina saatavilla varalaitetta, joka on välittömästi valmis käyttöä varten.
- Käytä vain paristoja, jotka toimitetaan kunkin LiNA OperåScope™ -laitteen mukana. Paristot ovat AA Energizer -alkaliparistoja, ja ne ovat omassa paristoyksikössään LiNA OperåScope™ -tähytimessä.
- LiNA OperåScope™ -tähytimen paristojen kestoikä on 60 minuuttia.
- Mikäli käytön aikana ilmenee toimintahäiriöitä tai pariston käyttöikä päättyy, lopeta toimenpide välittömästi, vedä LiNA OperåScope™ hitaasti ulos ja vaihda tilalle uusi LiNA OperåScope™.
- Kannettavia radiotaajuisia viestintälaitteita (mukaan lukien oheislaitteet, kuten antennikaapelit ja ulkoiset antennit) ei saa käyttää 30 cm (12 tuumaa) lähempänä LiNA OperåScope™ -laitetta, koska LiNA OperåScope™ -laitteen suorituskyky voi heiketä.

- Muiden kuin määritettyjen lisävarusteiden, anturien ja kaapeleiden käyttö voi muuttaa sähkömagneettisia ominaisuuksia, mikä voi johtaa virheelliseen toimintaan.
- LiNA OperåScope™ -laitteen käyttöä muiden laitteiden vieressä on vältettävä, koska seurauksena voi olla laitteiden virheellinen toiminta. Jos tällainen käyttö on tarpeen, tätä laitetta ja muita laitteita on tarkkailtava sen varmistamiseksi, että ne toimivat normaalisti.
- Vältä LiNA OperåScope™ -tähystimen kahvan, pariston, HDMI-liitännän ja/tai nestekidenäytön upottamista nestehauteeseen. Mikäli LiNA OperåScope™ on upotettava, huolehdi, että LiNA OperåScope™ on kuivunut ja toimintakunnossa ennen sen kliinistä käyttöä. Jos LiNA OperåScope™ ei toimi, vaihda tilalle uusi laite.
- Perforaatorisikin pienentämiseksi vie LiNA OperåScope™ -tähystintä eteenpäin / manipuloi sitä vain siten, että seuraat sitä reaaliaikaisen kamerakuvan kautta ja käyttämällä valoa.
- Vain asianmukaisen koulutuksen hysteroskopiaan saanut lääketieteen ammattilainen saa suorittaa hysteroskopiatoimenpiteitä LiNA OperåScope™ -tähystimen avulla.
- Vain asianmukaisen koulutuksen kystoskopiaan saanut lääketieteen ammattilainen saa suorittaa kystoskopiatoimenpiteitä LiNA OperåScope™ -tähystimen avulla.
- Laajentamiseen käytetään nestemäistä laajennusainetta, jonka sisäänmenoa ja ulostuloa tulee jatkuvasti valvoa tarkasti. Nesteen liikäytön mahdollisuuden pienentämiseksi valvonnassa on noudatettava erityistä tarkkuutta, mikäli kohdunsisäinen instillaatio ylittää 1 litran.

VAROTOIMET:

LiNA OperåScope™-tähystimen käyttöön liittyvät mahdolliset yleiset komplikaatiot

Tarkista ennen jokaista LiNA OperåScope™ -tähystimen käyttökertaa ja aina sen asetusten muuttamisen jälkeen, että LiNA OperåScope™ -tähystimen näytössä on reaaliaikainen kuva (tallennetun kuvan sijaan) ja että kuvan suunta on oikea.

Mikäli jatkuvaa huuhtelua ei ylläpidetä LiNA OperåScope™ -tähystimen käytön aikana, distaalisen kärjen käyttölämpötila voi nousta yli 41 °C:n (105,8 °F).

Kun LiNA OperåScope™ Recording Module on liitetty LiNA OperåScope™ -tähystimeen, huolehdi, että virtalähde on helposti käytettävissä, mikäli virta on tarpeen katkaista.

Varmista, että LiNA OperåScope™ Recording Module ja näyttö eivät ole potilaan ulottuvilla.

Jatkuvavirtauksisen hysteroskopian/kystoskopian mahdolliset komplikaatiot:

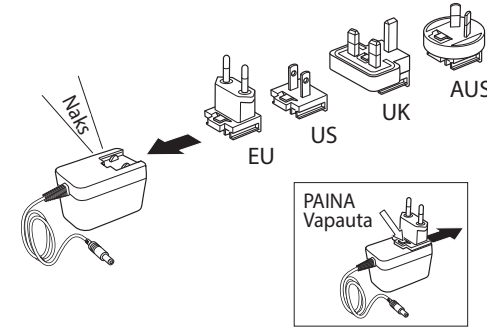
- hyponatremia
- hypotermia
- kohdun perforaatio / väärä kanava, joka voi vahingoittaa sultoa, virtsarakkoa, suuria verisuonia tai virtsanjohdinta
- virtsarakon perforaatio / väärä kanava, joka voi vahingoittaa sultoa, virtsarakkoa, suuria verisuonia tai virtsanjohdinta
- keuhkoödeema
- aivoödeema
- infektio
- verenvuoto
- kipu
- vasovagaaliset oireet
- virtsaputken trauma (kystoskopiassa).

Edellä mainittujen komplikaatioiden riskin pienentämiseksi laajentavana aineena on suositeltavaa käyttää normaalia keittosuolaliuosta ja infusoitava määrä on suositeltavaa pitää alle 1 000 ml:ssa. Kohdunsisäinen laajennus onnistuu tavallisesti 35–75 mmHg:n paineella. Ellei systeeminen verenpaine ole erittäin suuri, yli 75–80 mmHg:n painetta on harvoin tarpeen käyttää.

KÄYTTÖOHJEET:

Lue käyttöohjeet ennen tämän laitteen käyttöä!

- Tarkista pakkaus huolellisesti mahdollisten vaurioiden varalta ennen käyttöä. ÄLÄ yritä käyttää laitetta, jos steriili suojuus on vaurioitunut. Ei saa käyttää viimeisen käyttöpäivän jälkeen.
- Poista LiNA OperåScope™ steriilistä pakkauksesta käyttämällä steriiliä tekniikkaa (**kuva 2**).
- Kiinnitä sisäänvirtauksen nesteletku sisäänvirtausliitäntään ja ulosvirtausletku ulosvirtausliitäntään (**kuva 3**).
- LiNA OperåScope™ voidaan liittää ulkoiseen näyttöön tai Recording Module -yksikköön HDMI-kaapelilla. Huomautus: varmista ennen LiNA OperåScope™ Recording Modulen käyttöä, että olet kiinnittänyt paikallisiin seinäpistorasioihin soveltuvan pistokkeen verkkovirtaan ja vihreä virran merkkivalo palaa.



- Poista paristo steriilistä pakkauksesta ja aseta se LiNA OperåScope™ -tähystimen kahvaan (**kuva 6**).
- Kanyylin distaaliosassa kärjessä oleva valo syttyy, ja kameran kuvan pitäisi näkyä laitteen nestekidenäytössä. Jos valo tai kameran kuva ei toimi, lopeta valmistelutoimet ja avaa uusi LiNA OperåScope™ -pakkaus (**kuva 7**).
- Huuhtele nestettä kanyylin läpi, kunnes kaikki ilmakuplat ovat poistuneet letkusta (**kuva 8**).
- LiNA OperåScope™ on nyt käyttövalmis.
- Vie kanyyli nesteen virratessa kohdunkaulan kanavan tai virtsaputken läpi samalla, kun katsot kuvaa, mikä on normaali LiNA OperåScope™ -tähystimen sisäänvientitoimenpide (**kuva 9**).
- Jos haluat tallentaa kuvaa tai videota, aseta USB-muistikku LiNA OperåScope™ Recording Moduleen ja varmista, että se on liitetty HDMI-kaapelilla LiNA OperåScope™ -tähystimeen. Sekä LiNA OperåScope™ -tähystimen kahvassa että Recording Moduleessa on kuva- ja videotallennuspainikkeet. Jos haluat ottaa liikkumattoman kuvan (still-kuvan), paina kuvapainiketta ja vapauta se. Jos haluat aloittaa videotallennuksen, aloita tallennus painamalla videopainiketta ja vapauttamalla se (**kuva 5**). Pysäytä videotallennus painamalla videopainiketta ja vapauttamalla se uudestaan. Huomautus: kun LiNA OperåScope™ Recording Module on varattu, LED-merkkivalo vilkkuu sinisenä.
- LiNA OperåScope™ -tähystimen kahvan kääntönupissa on keskellä aukko (**kuva 9**), jonka kautta diagnostisissa ja hoidollisissa toimenpiteissä käytettävät instrumentit/apuvälineet voidaan viedä kohdun tai virtsarakon onteloon. LiNA OperåScope™ -tähystimen keskellä olevaan aukkoon sopivien instrumenttien/apuvälineiden tulee olla mitoiltaan seuraavanlaisia:
 - ulkohalkaisijaltaan enintään: 1,86 mm (5,5 Fr)
 - käyttöpituudeltaan vähintään: 310 mm.
- Kun toimenpide on valmis, poista LiNA OperåScope™ (**kuva 10**).
- Poista paristo ja hävitä se. Laite voidaan nyt hävittää turvallisesti paikallisten säädösten mukaisesti (**kuva 11**).
- Poista USB-tikku LiNA OperåScope™ Recording Modulesta ja siirrä tallenteet tietokoneelle USB-portin kautta (**kuva 12**).

LiNA OperåScope™ -tähystimen tekniset tiedot

| | |
|---------------------------------|--|
| Nimellinen tulojännite: | 3 VDC ±10 % |
| Nimellisvirta: | 330 mA ±20 % |
| Pariston tyyppi: | Kaksi 1,5 V:n AA Energizer -alkaliparistoa (ei-ladattavia) |
| Toiminta-aika: | ≤ 60 minuuttia |
| Kameran tarkkuus: | 400 x 400 pikseliä |
| Nestekidenäytön diagonaalikoko: | 4,3 tuumaa |
| Käyttöpituus vähintään: | 240 mm |
| Ennalta asetettu kärjen kulma: | 20° ±5° |

Säilyvyysolosuhteet

LiNA OperåScope™ -tähystimen säilyvyysaika on 36 kuukautta. Tämän jälkeen testattavat laitteet altistettiin simuloituille kuljetusolosuhteille noudattamalla ASTM D4169 -standardin sykliä 13 ja varmuustasoa 1. Kaikki laitteet tarkastettiin ja testattiin käyttämällä suunnitteluntarkastusmenetelmiä, ja ne täyttivät kaikki hyväksymiselle asetetut vaatimukset.



LiNA OperåScope™

REF OP-201-6-I, OP-RM-1-UK, OP-RM-1-EU, OP-RM-1-AUS

LiNA OPERÅSCOPE™ RECORDING MODULE:

LiNA OperåScope™ Recording Modulen virtalähde valmistellaan käyttöön käyttöohjeiden kohdan 4 mukaisesti. Eri viitenumerot viittaavat vastaavaan pistokkeeseen.

- OP-RM-1-EU (käytetään useimmissa EU-maissa – pistoketyyppi C)
- OP-RM-1-UK (käytetään Yhdistyneessä kuningaskunnassa ja muissa maissa, joissa käytössä on pistoketyyppi G)
- OP-RM-1-AUS (käytetään Australiassa ja muissa maissa, joissa käytössä on pistoketyyppi I)

Video-/still-kuvatiedostojen lataaminen toimenpiteen jälkeen

Videot ja still-kuvat voidaan ladata LiNA OperåScope™ -tähystimestä LiNA OperåScope™ Recording Modulen USB-liitäntään kautta ja tuoda potilastietueeseen. Koska video-/still-kuvatiedostossa ei ole potilastunnistietoja, ladattu tiedosto on ladattava ja tallennettava potilastietueeseen heti toimenpiteen jälkeen, jotta tiedosto yhdistetään oikeaan potilaaseen.

Tallennettujen videoiden/still-kuvien toisto tietokoneella

Vaihe 1

Aseta USB-tikku tietokoneen USB-porttiin.

Vaihe 2

Lataa ja asenna jokin Windows Media Playerin pakkauksenhallintaohjelma, kuten Media Player Codec Pack.

Vaihe 3

Napsauta Windowsissa käynnistyspainiketta ja valitse kansio, jossa MPEG 4 -tiedosto sijaitsee, kuten Omat videot tai Omat lataukset.

Vaihe 4

Napsauta videota hiiren kakkospainikkeella ja valitse Avaa sovelluksessa. Aloita videon/kuvien toistaminen valitsemalla saatavilla olevista vaihtoehdoista Windows Media Player.

Huomautus: LiNA OperåScope™ Recording Module on hävitettävä paikallisten määräysten mukaisesti sähköjätteenä.

Toimenpiteen jälkeinen puhdistus

LiNA OperåScope™ Recording Module on tarkoitettu käytettäväksi steriilin alueen ulkopuolella ja etäällä potilaasta. Vaikka LiNA OperåScope™ Recording Modulea ei ole tarkoitettu suoraan kosketukseen potilaan kanssa, se voi kuitenkin altistua kehon nesteille ja/tai verelle, sillä sitä käytetään leikkaussalissa potilaan hoidon aikana.

Varmista, että ulkoiset osat puhdistetaan asianmukaisesti jokaisen potilaskäytön jälkeen noudattamalla seuraavia puhdistus-/desinfiointiohjeita.



ÄLÄ UPOTA LiNA OPERÅSCOPE™ RECORDING MODULEA.

ASETA LiNA OPERÅSCOPE™ RECORDING MODULE PUHDISTUKSEN/DESINFIOINNIN AIKANA SELLAISEEN ASEENTON, JOSSA MAHDOLLISIMMAN VÄHÄN NESTEITÄ JOUTUU KOSKETUKSIIN VIRTAA-, USB-, TÄHYSTIN- JA NÄYTTÖLIITTIMIEN KANSSA.

LiNA OPERÅSCOPE™ RECORDING MODULEN KOTELOA EI SAA AVATA PUHDISTAMISTA/DESINFIOINTIA VARTEN.

VAROITUS: TÄHÄN LAITTEeseen EI SAA TEHDÄ MUUTOKSIA.

1. Katkaise LiNA OperåScope™ Recording Modulen virta ja irrota se pistorasiasta.
2. Aseta LiNA OperåScope™ Recording Module ja virtajohto puhtaalle, kuivalle alustalle.
3. Pyyhi LiNA OperåScope™ Recording Module päältä, alta ja kaikilta neljältä sivulta puhdistus-/desinfointiliinalla.
4. Tarkista pyyhkimisen jälkeen silmämääräisesti, ettei ulkopinnassa ole jäämiä ruumiinnesteistä tai likaa, ja pyyhi uudestaan.
5. Anna LiNA OperåScope™ Recording Modulen olla koskematta vähintään 3 minuuttia.
6. Pyyhi moduulin liitoskohdat huolellisesti 70-prosenttisella isopropyyliipukilla ja varmista, ettei moduulissa ole ruumiinnesteitä.
7. Kun moduuli on silmämääräisesti puhdas, aseta se säilytyspaikkaan tulevaa käyttöä varten.

LiNA OperåScope™ Recording Modulen akun käyttöikä 7 vuotta:

LiNA OperåScope™ Recording Modulen akun käyttöikä on 7 vuotta valmistuspäivästä, ja se vaihdetaan ennen odotettua käyttöiän päättymistä.

Nimellinen tulojännite: 100–240 VAC ±10 %
Nimellinen tulotaajuus: 50–60 Hz
Nimellinen ulovirta: 0,16–0,08 Arms maksimikuormituksella
Nimellinen lähtöjännite: Uout: 9VDC +5 % / –5 %



LiNA OperåScope™

REF OP-201-6-I, OP-RM-1-UK, OP-RM-1-EU, OP-RM-1-AUS

Nimellinen lähtövirta, Iout: 800 mA
Mukana toimitettu verkkolaite: Friwo Fox 9 VDC / 800 mA

Yleisiä tietoja:

Ympäristöolosuhteet kuljetuksen ja varastoinnin aikana:

Lämpötila 0 °C – +55 °C
 Ilmankosteus 10–90 %
 Ilmanpaine 70–106 kPa

Ympäristöolosuhteet käytön aikana:

Lämpötila +10 °C – +40 °C
 Ilmankosteus 35–75 %
 Ilmanpaine 70–106 kPa

LiNA OperåScope™ noudattaa lääkinnällisistä sähkölaitteista annettuja standardeja: Sähkökäyttöiset lääkintälaitteet – OSA 1-2: Perusturvallisuutta ja olennaista suorituskykyä koskevat yleiset vaatimukset.

- Huomautus: Tämä laite soveltuu päästöominaisuksiltaan käytettäväksi teollisuusalueilla ja sairaaloissa/ klinikoilla (CISPR 11 luokka A). Laitetta ei ole tarkoitettu käytettäväksi sairaalan tai klinikan ulkopuolella.
- Häiriönsieto vastaa terveydenhuoltolaitosympäristöjä.

LiNA OperåScope™ Recording Modulessa käytettävä avoimen lähdekoodin ohjelmisto:

Tuote sisältää muun muassa avoimen lähdekoodin ohjelmiston, jonka käyttöoikeus perustuu avoimen lähdekoodin ohjelmistolisenssiin ja joka on kolmansien osapuolten kehittämä. Nämä avoimen lähdekoodin ohjelmistotiedostot on suojattu tekijänoikeuksilla. Oikeuksiasi käyttää avoimen lähdekoodin ohjelmistoa muutoin kuin LiNA Medicals -ohjelman käytön yhteydessä säätelevät asianmukaiset avoimen lähdekoodin ohjelmiston käyttöoikeusehdot.

Näiden käyttöoikeusehtojen noudattaminen oikeuttaa sinut käyttämään avoimen lähdekoodin ohjelmistoa kyseisen lisenssin mukaisesti. Jos LiNA Medicalin ja avoimen lähdekoodin ohjelmiston käyttöoikeussopimusten ehdot ovat ristiriidassa keskenään, avoimen lähdekoodin ohjelmiston ehdot ovat voimassa ohjelmiston avoimen lähdekoodin ohjelmistojen osien osalta. Avoimen lähdekoodin ohjelmisto on lisenssimaksuton (eli lisensoitujen oikeuksien käytöstä ei peritä maksuja, kun taas LiNA Medicalille aiheutuneiden kustannusten korvaamisesta voidaan periä maksuja).

Tämä asiakirja sisältää luettelon tämän tuotteen sisältämistä avoimen lähdekoodin ohjelmistoista ja avoimen lähdekoodin ohjelmistolisensseistä.

Jos tämän tuotteen sisältämät ohjelmat on lisensoitu GNU General Public License (GPL) -lisenssin, GNU Lesser General Public License (LGPL) -lisenssin tai minkä tahansa muun avoimen lähdekoodin ohjelmiston lisenssin nojalla, joka edellyttää lähdekoodin saamista saataville eikä kyseistä ohjelmistoa ole jo toimitettu lähdekoodimuodossa yhdessä laitteen kanssa, voit pyytää vastaavan lähdekoodin LiNA Medicalilta 5 euron maksua vastaan, joka kattaa sen luovutuksesta aiheutuvan työn. Lähetä pyyntö kolmen vuoden kuluessa tuotteen ostopäivästä sekä tuotteen nimi ja/ tai tunnusnumero osoitteeseen:

LiNA Medical
 Formervangen 5
 DK-2600 Glostrup
 Tanska
 www.lina-medical.com

Avoimen lähdekoodin ohjelmiston muuta käyttöä koskeva takuu:

LiNA Medical ei anna takuuta tämän laitteen sisältämille avoimen lähdekoodin ohjelmille, jos niitä käytetään muulla kuin LiNA Medicalin tarkoittamalla tavalla. Alla luetelluissa lisensseissä määritetään mahdolliset takuut, jotka avoimen lähdekoodin ohjelmiston valmistajat tai lisenssinantajat myöntävät. LiNA Medical ei myönnä mitään takuita virheistä, jotka aiheutuvat avoimen lähdekoodin ohjelmiston tai tuotteen kokoonpanon muuttamisesta. Sinulla ei ole oikeutta takuuvaatimukseen LiNA Medicalia vastaan, jos avoimen lähdekoodin ohjelmisto loukkaa kolmannen osapuolen immateriaalioikeuksia. Mahdollista teknistä tukea tarjotaan vain muokkaamattomille ohjelmistoille.

Raportointi:

Laitteen käytön yhteydessä tapahtuneista vakavista vaaratilanteista on ilmoitettava LiNA Medical ApS:lle sekä käyttäjän ja/tai potilaan kotimaan toimivaltaiselle sääntelyviranomaiselle. Kansainvälinen CE-merkintä 2020.





de

VERWENDUNGSZWECK:

LiNA OperåScope™ für die Hysteroskopie:

Das LiNA OperåScope™ ist für die Visualisierung des Zervikalkanals und der Uterushöhle im Rahmen gynäkologischer Diagnose- und Therapieverfahren vorgesehen.

LiNA OperåScope™ für die Zystoskopie:

Das LiNA OperåScope™ ist für die Visualisierung des weiblichen Harnleiters und der Blasenhöhle im Rahmen zystoskopischer Diagnose- und Therapieverfahren vorgesehen.

PATIENTENPOPULATION:

Jugendliche oder ältere Patienten, bei denen gynäkologische Diagnose- und Therapieverfahren angewendet werden, die eine Visualisierung des Zervikalkanals und der Uterushöhle erfordern.

Jugendliche oder ältere weibliche Patienten, bei denen zystoskopische Diagnose- und Therapieverfahren angewendet werden, die eine Visualisierung der Harnröhre und der Blasenhöhle erfordern.

Bei den folgenden Verfahren kann das LiNA OperåScope™ zur Visualisierung dienen:

- Hysteroskopie:
 - Abklärung von anormalen Blutungen, Beckenschmerzen, Amenorrhö und anormalen Ergebnissen eines Hysterosalpingogramms;
 - Abklärung von Unfruchtbarkeit und Fehlgeburten;
 - Bestätigung des Vorhandenseins intrauteriner Fremdkörper;
 - Unterstützung der Lokalisierung zu entfernender submuköser Myome und Polypen;
 - Führung im Rahmen einer gezielten Biopsie, Polypektomie, submukösen Myomektomie oder Durchtrennung intrauteriner Verwachsungen und Septen.
- Zystoskopie:
 - Das LiNA OperåScope™ ermöglicht eine minimalinvasive Visualisierung der weiblichen Harnblase durch Ausnutzung natürlicher Körperöffnungen zum Erreichen der Untersuchungsstelle.
 - Außerdem bietet es eine visuelle Führung im Rahmen der folgenden Diagnose- und Therapieverfahren: Abklärung von wiederholt auftretenden Harnwegsinfektionen (HWIs), Beckenschmerzen, Problemen beim Wasserlassen und Harninkontinenz, gezielte Biopsie, Entfernung von Polypen und Blasensteinen, Injektionen von Botulinumtoxin (z. B. Botox), Setzen und/oder Entfernen von Harnleiterstents, Untersuchung der Blase und der Harnröhre auf Verletzungen und Beurteilung der Durchgängigkeit des Harnleiters.

PRODUKTBESCHREIBUNG:

Das LiNA OperåScope™ ist ein batteriebetriebenes Untersuchungsinstrument zur Einmalverwendung. Es besteht aus einer Kanüle, einem LCD-Display und einem 3 m langen HDMI-Kabel, das an einem Bediengriff befestigt ist. Das LiNA OperåScope™ wurde mit Ethylenoxid und das Batteriepack mittels Strahlung sterilisiert.

Die Kanüle hat einen Nenndurchmesser von 4,2 mm. An ihrer distalen Spitze befinden sich eine Miniaturkamera, eine LED-Beleuchtungseinheit sowie eine vorgebogene Spitze, die mithilfe eines Drehknopfs (**Abbildung 7**) am Griff rotiert werden kann. In der Mitte des Drehknopfs befindet sich der Kanal zur Einführung von Instrumenten/ Hilfsmitteln mit einem Nenndurchmesser von bis zu 1,86 mm (5,5 Ch) und 310 mm Nutzlänge. Separate Luer-Lock-Hähne für Zu- und Abfluss an der Unterseite des Griffs erleichtern das Dehnen und Spülen der Uterus-/Blasenhöhle mit Distensionsmedium. Das ebenfalls an der Unterseite des Griffs befindliche HDMI-Kabel kann an einen externen Monitor mit HDMI-Eingang oder alternativ an das LiNA OperåScope™ Recording Module zur Aufnahme von Videos oder Fotos und Speicherung auf einem handelsüblichen USB-Laufwerk (bitte auf ausreichend Speicherplatz achten) angeschlossen werden.

Während des Betriebs kann die Visualisierung durch Anpassung der Helligkeit (Beleuchtung) optimiert werden. Die Helligkeit kann über die Helligkeits-Taste (**Abbildung 5**) auf dem Griff gesteuert werden. Die Standardeinstellung ist auf maximale Helligkeit eingestellt.

Ergänzend zum LiNA OperåScope™ ist das LiNA OperåScope™ Recording Module (**Abbildung 4**) verfügbar, mit welchem Standbilder und Videoaufnahmen für die Ansicht zu einem späteren Zeitpunkt aufgenommen werden können. Das LiNA OperåScope™ Recording Module wird unsteril geliefert und ist für den Anschluss an das HDMI-Kabel des LiNA OperåScope™ vorgesehen. The LiNA OperåScope™ Recording Module darf nicht mit dem sterilen Bereich oder dem Patienten in Berührung kommen.



Das LiNA OperåScope™ und das Recording Module können bei normalen Umgebungsbedingungen eingesetzt werden und sollten bei Raumtemperatur und trocken gelagert werden.

Umgebungsbedingungen bei Transport und Lagerung:

| | |
|-----------------------|--------------------|
| Temperatur | 0 °C bis +55 °C |
| Luftfeuchtigkeit | 10 % bis 90 % |
| Atmosphärischer Druck | 70 kPa bis 106 kPa |

Umgebungsbedingungen bei der Verwendung:

| | |
|-----------------------|--------------------|
| Temperatur | +10 °C bis +40 °C |
| Luftfeuchtigkeit | 35 % bis 75 % |
| Atmosphärischer Druck | 70 kPa bis 106 kPa |

HILFSMITTEL:

Die folgenden Hilfsmittel sind für die Verwendung mit dem LiNA OperåScope™ geeignet:

- LiNA OperåScope™ Recording Module,
- handelsübliche Schläuche für das Flüssigkeitsmanagement mit Luer-Lock,
- handelsübliche Instrumente/Hilfsmittel für die diagnostische/therapeutische Verwendung.

KONTRAINDIKATIONEN:

Die Verwendung des Geräts zur Hysteroskopie ist kontraindiziert bei:

- nicht dehnbarem Uterus
- Zervikalstenose
- zervikalen/vaginalen Infektionen
- uterinen Blutungen oder Menstruation
- bekannter Schwangerschaft
- bekanntem Zervix- und/oder Uteruskarzinom
- kürzlich erfolgter Uterusperforation
- bekannter entzündlicher Beckenerkrankung (PID)
- medizinischer Kontraindikation oder Unverträglichkeit von Narkosemitteln

Die Verwendung des Geräts zur Zystoskopie ist kontraindiziert bei:

- bekannter entzündlicher Beckenerkrankung (PID)
- akuten/bekannten Harnwegsinfektionen
- schwerer Koagulopathie

WARNHINWEISE:

Das Nichtbefolgen von Anweisungen, Warnhinweisen und Vorsichtsmaßnahmen kann zu ernsthaften Verletzungen beim Patienten führen.

- Das LiNA OperåScope™ wurde mittels Ethylenoxid (LiNA OperåScope™) und Strahlung (Batterie) STERILISIERT. Die Verpackung vor der Verwendung des Produkts sorgfältig auf jedwede Beschädigungen untersuchen. Das Gerät NICHT verwenden, wenn die Sterilbarriere beschädigt ist. Das Gerät NICHT nach seinem Ablaufdatum verwenden. NICHT verwenden, wenn das Gerät vor dem Einsatz mit unsterilen Oberflächen in Kontakt gekommen ist.
- Die schwache Lichtintensität der niedrigsten verfügbaren Helligkeitseinstellung könnte die Visualisierung beeinträchtigen und für chirurgische Verfahren ungeeignet sein. Der Gerätebediener sollte vor der Verwendung sicherstellen, dass die Lichtintensität für das geplante Verfahren geeignet ist.
- Das LiNA OperåScope™ nicht weiter einführen, wenn im Patienten ein Widerstand bemerkt wird.
- Nicht versuchen, die distale Kanüle zu verformen.
- Nur zur einmaligen Verwendung. Das LiNA OperåScope™ NICHT wiederverwenden, wiederaufbereiten oder erneut sterilisieren. Jegliche Wiederaufbereitung kann die Funktionen des Produkts beeinträchtigen. Die Wiederverwendung von Produkten zum Einmalgebrauch kann zudem das Risiko von Kreuzkontaminationen erhöhen. Jeder Versuch, das Gerät zu reinigen, birgt das Risiko einer Fehlfunktion des Geräts und/oder der Entnahme falsch pathologischer Proben aufgrund von Restgewebe im LiNA OperåScope™.
- Während des Behandlungsprozesses nicht die Batterie entfernen.
- Stets ein sofort einsatzbereites Ersatzprodukt verfügbar halten.
- Nur zur Verwendung mit den mit jedem LiNA OperåScope™ mitgelieferten Batterien – es handelt sich um AA Energizer Alkali-Batterien in einem speziell für das LiNA OperåScope™ vorgesehenen Batteriepack.
- Die Batterielebensdauer des LiNA OperåScope™ beträgt 60 Minuten.



- Beim Auftreten einer Fehlfunktion während der Verwendung oder Ablauf der Batterielebensdauer das Verfahren sofort unterbrechen, das LiNA OperåScope™ langsam zurückziehen und durch ein neues LiNA OperåScope™ ersetzen.
- In einem Abstand von 30 cm (12 Zoll) um das LiNA OperåScope™ sollten keine tragbaren Funkübertragungsgeräte (einschließlich Peripheriegeräte wie Antennenkabel und externe Antennen) verwendet werden, da diese die Leistung des LiNA OperåScope™ beeinträchtigen können.
- Die Verwendung anderer als der angegebenen Hilfsmittel, Wandler und Kabel kann zu Veränderungen der elektromagnetischen Eigenschaften und einer Beeinträchtigung der Betriebsfunktionen führen.
- Die gemeinsame Verwendung des LiNA OperåScope™ mit anderen Geräten sollte vermieden werden, da diese die Betriebsfunktionen beeinträchtigen können. Sollte eine gemeinsame Verwendung erforderlich sein, sind beide Geräte sorgfältig zu überwachen, um sicherzustellen, dass sie normal funktionieren.
- Bediengriff, Batterie, HDMI-Anschluss und/oder LCD-Bildschirm des LiNA OperåScope™ nicht in ein Flüssigkeitsbad tauchen. Sollte das LiNA OperåScope™ in ein solches Bad getaucht werden, stellen Sie vor der klinischen Verwendung sicher, dass es trocken und funktionsfähig ist. Sollte das LiNA OperåScope™ nicht funktionsfähig sein, ersetzen Sie es durch ein neues Gerät.
- Die Position des LiNA OperåScope™ nur bei sichtbarem Live-Kamerabild und eingeschalteter Beleuchtung ändern, um das Perforationsrisiko zu minimieren.
- Hysteroskopische Verfahren unter Anwendung des LiNA OperåScope™ sind nur durch medizinisches Fachpersonal durchzuführen, das über eine angemessene Ausbildung in der Hysteroskopie verfügt.
- Zystoskopische Verfahren unter Anwendung des LiNA OperåScope™ sind nur durch medizinisches Fachpersonal durchzuführen, das über eine angemessene Ausbildung in der Zystoskopie verfügt.
- Im Rahmen des Eingriffs kommt ein flüssiges Distensionsmedium zum Einsatz; Zu- und Abfluss der Flüssigkeit sollten genau überwacht werden. Eine intrauterine Instillation von mehr als 1 Liter sollte mit größter Sorgfalt durchgeführt werden, um zu vermeiden, dass zu viel Flüssigkeit zugeführt wird.

VORSICHTSMASSNAHMEN:

Mögliche allgemeine Komplikationen bei der Verwendung des LiNA OperåScope™

Stellen Sie vor jeder Verwendung, oder nachdem Änderungen an den Einstellungen des LiNA OperåScope™ vorgenommen wurden, sicher, dass das LiNA OperåScope™ ein Live-Bild überträgt (und kein gespeichertes) und die Bildorientierung korrekt ist.

Wenn das LiNA OperåScope™ während des Betriebs nicht konstant gespült wird, kann die distale Spitze eine Betriebstemperatur von 41 °C (105,8 °F) überschreiten.

Wenn das LiNA OperåScope™ Recording Module mit dem LiNA OperåScope™ verbunden ist, sorgen Sie dafür, dass das Netzteil gut zugänglich ist, damit es notfalls schnell vom Strom getrennt werden kann.

Stellen Sie sicher, dass sich das LiNA OperåScope™ Recording Module und der Bildschirm außerhalb der Reichweite des Patienten befinden.

Mögliche Komplikationen bei der Continuous-Flow-Hysteroskopie/Zystoskopie:

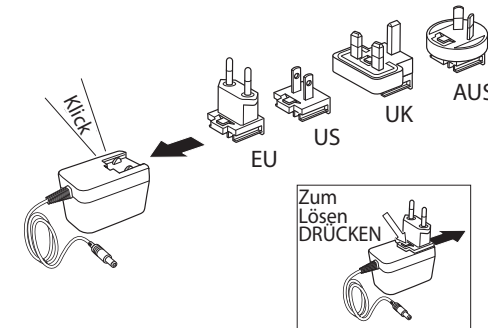
- Hyponatriämie
- Hypothermie
- Uterusperforation/Via falsa mit einer möglichen Verletzung des Darms, der Blase, großer Blutgefäße und des Harnleiters
- Blasenperforation/Via falsa mit einer möglichen Verletzung des Darms, des Uterus, großer Blutgefäße und des Harnleiters
- Lungenödem
- Hirnödem
- Infektion
- Blutungen
- Schmerzen
- vasovagale Synkopen
- Harnröhrentrauma (zystoskopiespezifisch).

Es wird empfohlen, als Distensionsmedium normale Kochsalzlösung zu verwenden und das zugeführte Volumen auf weniger als 1000 ml zu beschränken, um das Risiko der obigen Komplikationen zu reduzieren. Eine Dehnung des Uterus kann zumeist mit einem Druck von 35–75 mmHg erreicht werden. Wenn der systemische Blutdruck nicht stark überhöht ist, ist es selten erforderlich, mit Drücken über 75–80 mmHg zu arbeiten.

GEBRAUCHSANWEISUNG:

Lesen Sie die Gebrauchsanweisung aufmerksam durch, bevor Sie das Gerät verwenden!

1. Untersuchen Sie die Verpackung vor der Verwendung sorgfältig auf Beschädigungen. Das Produkt NICHT verwenden, wenn die Sterilbarriere beschädigt ist. Das Gerät NICHT nach seinem Ablaufdatum verwenden.
2. Auf sterile Weise das LiNA OperåScope™ aus dem sterilisierten Blister entnehmen (**Abbildung 2**).
3. Den Zuflussschlauch am Zuflussanschluss und den Abflussschlauch am Abflussanschluss anbringen (**Abbildung 3**).
4. Das LiNA OperåScope™ kann über das HDMI-Kabel an einen externen Bildschirm oder das Recording Module angeschlossen werden.
Hinweis: Vor der Verwendung des LiNA OperåScope™ Recording Module den passenden Steckeradapter befestigen, das Gerät an das Stromnetz anschließen und sicherstellen, dass die grüne Power-Leuchte leuchtet.



5. Entnehmen Sie die Batterie aus dem sterilen Blister und setzen Sie sie in den Bediengriff des LiNA OperåScope™ ein (**Abbildung 6**).
6. Die Lichtquelle am distalen Ende der Kanüle leuchtet auf und auf dem LCD-Bildschirm sollte ein Kamerabild erscheinen. Sollten Beleuchtung oder Kamera nicht funktionieren, das Verfahren abbrechen und ein neues LiNA OperåScope™ öffnen (**Abbildung 7**).
7. Spülen Sie die Kanüle mit der Flüssigkeit, bis die Schläuche frei von Luftblasen sind (**Abbildung 8**).
8. Das LiNA OperåScope™ ist nun betriebsbereit.
9. Gemäß dem Standardvorgehen zur Einführung des LiNA OperåScope™ wird die Kanüle bei konstanter Durchspülung und unter Zuhilfenahme des übertragenen Bildes durch den Zervikalkanal oder den Harnleiter eingeführt (**Abbildung 9**).
10. Wenn eine Bild- oder Videoaufzeichnung gewünscht ist, einen USB-Speicherstick an das LiNA OperåScope™ Recording Module anschließen und sicherstellen, dass eine Verbindung mit dem LiNA OperåScope™ über das HDMI-Kabel besteht. Sowohl der Griff des LiNA OperåScope™ als auch das Recording Module verfügen über Tasten für die Bild- und Videoaufnahme. Zur Aufnahme eines Bildes die Bildtaste drücken und wieder loslassen. Zum Beginn einer Videoaufnahme die Videotaste drücken und loslassen. Die Taste erneut drücken und loslassen, um die Aufnahme zu beenden (**Abbildung 5**).
Hinweis: Wenn das LiNA OperåScope™ Recording Module arbeitet, leuchtet die LED in Blau.
11. Innerhalb des Drehknopfs am Griff des LiNA OperåScope™ befindet sich ein zentrales Lumen (**Abbildung 9**), über welches diagnostische und therapeutische Instrumente/Hilfsmittel in die Uterus- oder Blasenhöhle befördert werden können. Das zentrale Lumen des LiNA OperåScope™ kann Instrumente/Hilfsmittel bis zu folgenden Abmessungen aufnehmen:
 - Maximaler Außendurchmesser: 1,86 mm (5,5 Ch)
 - Minimale Nutzlänge: 310 mm
12. Nach Abschluss des Verfahrens das LiNA OperåScope™ entfernen (**Abbildung 10**).
13. Das Batteriepack entnehmen und die Batterie entsorgen. Das Gerät kann nun sicher in Übereinstimmung mit lokalen Verordnungen entsorgt werden (**Abbildung 11**).
14. Den USB-Stick vom LiNA OperåScope™ Recording Module trennen und die Aufnahmen über eine USB-Schnittstelle auf einen Computer übertragen (**Abbildung 12**).



LiNA OperåScope™

REF OP-201-6-I, OP-RM-1-UK, OP-RM-1-EU, OP-RM-1-AUS

Technische Spezifikationen für das LiNA OperåScope™

| | |
|---------------------------------------|---|
| Eingangsnennspannung: | 3 V Gleichstrom ±10 % |
| Nennstrom: | 330 mA ±20 % |
| Batterietyp: | 2 St. AA 1,5 V Energizer Alkaline (nicht wiederaufladbar) |
| Betriebsdauer: | ≤ 60 Minuten |
| Kameraauflösung: | 400 x 400 Pixel |
| Bildschirmdiagonale des LCD-Displays: | 4,3 Zoll |
| Minimale Nutzlänge: | 240 mm |
| Vorgegebener Spitzenwinkel: | 20° ±5° |

Haltbarkeitsbedingungen

Die Haltbarkeit des LiNA OperåScope™ beträgt 36 Monate. Die Testeinheiten wurden gemäß ASTM D4169, Zyklus 13, Sicherheitsniveau 1 simulierten Versandbedingungen ausgesetzt. Alle Einheiten wurden geprüft und Verifikationstests unterzogen, und alle haben die Abnahmekriterien erfüllt.

LiNA OPERÅSCOPE™ RECORDING MODULE:

Das LiNA OperåScope™ Recording Module wird gemäß Punkt 4 der Gebrauchsanweisung an das Stromnetz angeschlossen. Die verschiedenen Referenznummern beziehen sich auf die jeweils relevanten Stecker.

- OP-RM-1-EU (zur Verwendung in den meisten EU-Ländern – Stecker-Typ C)
- OP-RM-1-UK (zur Verwendung im Vereinigten Königreich und anderen Ländern, die Stecker-Typ G verwenden)
- OP-RM-1-AUS (zur Verwendung in Australien und anderen Ländern, die Stecker-Typ I verwenden)

Herunterladen von Video-/Standbilddateien nach dem Verfahren

Video- und Standbildmaterial kann über das LiNA OperåScope™ Recording Module vom LiNA OperåScope™ heruntergeladen und in die Patientenakte importiert werden. Da die Video-/Bilddateien keine identifizierbaren Patienteninformationen enthalten, sollte die heruntergeladene Datei sofort nach Abschluss des Verfahrens in die Patientenakte hochgeladen und dort gespeichert werden, um eine korrekte Zuordnung von Datei und Patient sicherzustellen.

Wiedergabe aufgezeichneter Videos/Standbilder auf einem Computer

- Schritt 1
Schließen Sie den USB-Stick an der USB-Schnittstelle des Computers an.
- Schritt 2
Laden Sie ergänzende Codec-Software für den Windows Media Player herunter, etwa das Media Player Codec Pack.
- Schritt 3
Das Windows-Startmenü öffnen und den Ordner wählen, in dem sich Ihre MPEG-4-Datei befindet, z. B. Meine Videos oder Meine Downloads.
- Schritt 4
Rechtsklicken Sie auf das Video und wählen Sie „Öffnen mit“. Wählen Sie aus den verfügbaren Optionen „Windows Media Player“ aus, um Ihr Video oder Ihre Bilder wiederzugeben.

Hinweis: Das LiNA OperåScope™ Recording Module ist gemäß den lokalen Vorschriften für die Entsorgung von Elektronik-Altgeräten zu entsorgen.

Reinigung nach dem Eingriff

Das LiNA OperåScope™ Recording Module ist außerhalb des sterilen Bereichs und vom Patienten entfernt zu verwenden. Auch wenn das LiNA OperåScope™ Recording Module nicht in direkten Kontakt mit Patienten kommen sollte, kann es vorkommen, dass es im Rahmen der Behandlung des Patienten im Operationssaal mit Körperflüssigkeiten und/oder Blut kontaminiert wird.

Nach jeder Verwendung mit einem Patienten sind die folgenden Anweisungen zur Reinigung/Desinfektion zu befolgen, um eine ausreichende Säuberung der externen Komponenten zu gewährleisten.



DAS LiNA OPERÅSCOPE™ RECORDING MODULE NICHT IN FLÜSSIGKEIT TAUCHEN.

DAS LiNA OPERÅSCOPE™ RECORDING MODULE WÄHREND DER REINIGUNG/DESINFEKTION SO ORIENTIEREN, DASS STROM-, USB-, OPERASCOPE- UND BILDSCHIRMANSCHLÜSSE MÖGLICHT WENIG FLÜSSIGKEIT AUSGESETZT SIND.

DAS GEHÄUSE DES LiNA OPERÅSCOPE™ RECORDING MODULE SOLLTE FÜR DIE REINIGUNG/DESINFEKTION NICHT GEÖFFNET WERDEN.

WARNUNG: EINE MODIFIZIERUNG DIESES GERÄTS IST NICHT ERLAUBT.



LiNA OperåScope™

REF OP-201-6-I, OP-RM-1-UK, OP-RM-1-EU, OP-RM-1-AUS

1. Schalten Sie das LiNA OperåScope™ Recording Module aus und trennen Sie es vom Stromnetz.
2. Legen Sie das LiNA OperåScope™ Recording Module und das Stromkabel auf eine saubere und trockene Oberfläche.
3. Mit einem Reinigungs-/Desinfektionstuch Oberseite, Unterseite und alle vier Seiten des LiNA OperåScope™ Recording Module abwischen.
4. Überprüfen Sie die Oberfläche nach dem Abwischen auf verbliebene Körperflüssigkeiten oder Verschmutzungen und wiederholen Sie bei Bedarf den Vorgang.
5. Lassen Sie das LiNA OperåScope™ Recording Module mindestens 3 Minuten lang stehen.
6. Reinigen Sie dann alle Fugen des Moduls gründlich mit einem mit 70%igem Isopropanol getränkten Tupfer, um sicherzustellen, dass das Modul frei von Körperflüssigkeiten ist.
7. Wenn das Modul optisch sauber ist, können Sie es bis zum nächsten Einsatz verstauen.

7-jährige Haltbarkeit der Batterie des LiNA OperåScope™ Recording Module:

Die Batterie des LiNA OperåScope™ Recording Module hat ab Herstellungsdatum eine Lebensdauer von 7 Jahren. Sie wird vor Ablauf der erwarteten Haltbarkeit ersetzt.

| | |
|--|-----------------------------------|
| Eingangsnennspannung: | 100–240 V AC ±10 % |
| Eingangsnennfrequenz: | 50–60 Hz |
| Eingangsnennstrom: | 0,16–0,08 A bei max. Bürde |
| Ausgangsnennspannung: | Uaus: 9 V Gleichstrom +5 % / –5 % |
| Ausgangsnennstrom laus: | 800 mA |
| Beiliegender Wechselstromadapter: | Friwo Fox 9 VDC/800 mA |

Allgemeine Informationen:

Umgebungsbedingungen bei Transport und Lagerung:

| | |
|-----------------------|--------------------|
| Temperatur | 0 °C bis +55 °C |
| Luftfeuchtigkeit | 10 % bis 90 % |
| Atmosphärischer Druck | 70 kPa bis 106 kPa |

Umgebungsbedingungen bei der Verwendung:

| | |
|-----------------------|--------------------|
| Temperatur | +10 °C bis +40 °C |
| Luftfeuchtigkeit | 35 % bis 75 % |
| Atmosphärischer Druck | 70 kPa bis 106 kPa |

Das LiNA OperåScope™ entspricht den EMV-Normen: Medizinische elektrische Geräte – TEIL 1–2: Allgemeine Festlegungen für die Sicherheit einschließlich der wesentlichen Leistungsmerkmale.

- Hinweis: Dieses Gerät ist aufgrund seiner Emissionseigenschaften für den Einsatz in Industriegebieten und Krankenhäusern/Kliniken geeignet (CISPR 11 Klasse A). Das Gerät ist nicht für den Einsatz außerhalb einer Krankenhaus- oder Klinikumgebung vorgesehen.
- Störfestigkeit für Verwendung in professioneller medizinischer Umgebung bestätigt.

Im LiNA OperåScope™ Recording Module eingesetzte Open-Source-Software:

Das Produkt umfasst unter anderem Open-Source-Software, die unter einer Lizenz für Open-Source-Software lizenziert und von Dritten entwickelt wurde. Diese Open-Source-Softwaredateien sind urheberrechtlich geschützt. Ihre Berechtigung zur Verwendung der Open-Source-Software über die bloße Ausführung von LiNA-Medicals-Programmen hinaus ist in den entsprechenden Open-Source-Software-Lizenzbedingungen geregelt.

Sofern Sie sich an die Lizenzbedingungen halten, haben Sie das Recht, die Open-Source-Software wie in der relevanten Lizenz vorgesehen zu verwenden. Im Falle von Widersprüchen zwischen den Lizenzbedingungen von LiNA Medical und denen der Open-Source-Software haben für die Anteile der Software, die aus Open-Source-Quellen stammen, die Bedingungen der Open-Source-Software Vorrang. Die Lizenz für die Open-Source-Software ist lizenzgebührenfrei (d. h. es fallen keine Gebühren für die Ausübung der lizenzierten Rechte an, allerdings können Gebühren für die Erstattung von Kosten, die LiNA Medical entstanden sind, erhoben werden).

Eine Liste aller in diesem Produkt enthaltenen Open-Source-Softwareprogramme und die Open-Source-Software-Lizenzen sind über dieses Dokument zugänglich.



Wenn in diesem Produkt enthaltene Programme unter der GNU General Public License (GPL), der GNU Lesser General Public License (LGPL) oder einer anderen Open-Source-Software-Lizenz lizenziert sind, die erfordert, dass der Quellcode verfügbar gemacht werden muss, und sofern die Software nicht bereits in Quellcodeform mit dem Gerät geliefert wurde, so können Sie gegen Zahlung von 5,- € für die Übertragung der Kopie den entsprechenden Quellcode von LiNA Medical anfordern. Bitte senden Sie Ihre konkrete Anfrage innerhalb von drei Jahren ab dem Kaufdatum dieses Produkts unter Angabe Ihres Namens und/oder der ID-Nummer des Produkts an:

LiNA Medical
Formervangen 5
DK-2600 Glostrup
Dänemark
www.lina-medical.com

Garantie hinsichtlich der weiteren Verwendung der Open-Source-Software:

LiNA Medical gewährt keinerlei Garantie für die in diesem Gerät enthaltenen Open-Source-Softwareprogramme, wenn diese über die durch LiNA Medical vorgesehene Programmausführung hinaus verwendet werden. Die unten aufgeführten Lizenzen definieren die durch die Autoren oder Lizenzgeber gewährten Garantien, falls zutreffend. LiNA Medical lehnt ausdrücklich jede Haftung für Defekte, die aus der Veränderung von Open-Source-Softwareprogrammen oder der Produktkonfiguration entstanden sind, ab. Sie haben keinen Garantiesanspruch gegenüber LiNA Medical, sollte die Open-Source-Software die geistigen Eigentumsrechte von Dritten verletzen. Ein technischer Support wird, wenn überhaupt, nur für nicht modifizierte Software angeboten.

Berichterstattung:

Jeder schwerwiegende Vorfall, der im Zusammenhang mit dem Produkt aufgetreten ist, sollte an LiNA Medical ApS und die zuständige Regulierungsbehörde des Landes gemeldet werden, in welchem der Benutzer und/oder der Patient ansässig sind. WWCE-Kennzeichnung 2020.



nl

BEOOGD GEBRUIK:

LiNA OperåScope™ voor hysteroscopie:

De LiNA OperåScope™ is bedoeld voor de visualisatie van het cervixkanaal en de baarmoederholte tijdens diagnostische en therapeutische gynaecologische procedures.

LiNA OperåScope™ voor cystoscopie:

De LiNA OperåScope™ is bedoeld voor de visualisatie van de urethra en de blaas bij vrouwen tijdens diagnostische en therapeutische cystoscopieprocedures.

PATIËNTPOPULATIE:

Adolescenten of oudere patiënten bij wie diagnostische of therapeutische gynaecologische procedures moeten worden uitgevoerd waarbij het cervixkanaal en de baarmoederholte moeten worden bekeken.

Adolescenten of oudere vrouwelijke patiënten bij wie diagnostische of therapeutische cystoscopieprocedures moeten worden uitgevoerd waarbij de urethra en de blaas moeten worden bekeken.

Hieronder vindt u een overzicht van de procedures waarbij de LiNA OperåScope™ kan worden gebruikt voor visualisatie:

- Hysteroscopie:
 - beoordeling van abnormaal bloedverlies, bekkenpijn, amenorroe en abnormale resultaten van een hysterosalpingogram;
 - beoordeling van onvruchtbaarheid en zwangerschapsverlies;
 - bevestiging van de aanwezigheid van een vreemd voorwerp in de baarmoeder;
 - zoeken van submucosale fibromen en poliepen om deze vervolgens te verwijderen;
 - visuele begeleiding tijdens gerichte biopsie, polypectomie, submucosale myomectomie en transsectie van verklevingen en septa in de baarmoeder.
- Cystoscopie:
 - Met de LiNA OperåScope™ kan de blaas bij vrouwen worden bekeken door middel van een minimaal invasieve ingreep via natuurlijke openingen die worden gebruikt om de diagnoselocatie te kunnen bereiken.
 - Daarnaast biedt het hulpmiddel begeleiding tijdens de volgende diagnostische en therapeutische procedures: beoordeling van terugkerende urineweginfecties (UTI's), bekkenpijn, moeite met urineren, urine-incontinentie, gerichte biopsie, verwijderen van poliepen en blaasstenen, botulinetoxine-injecties (bijv. Botox), plaatsen en/of verwijderen van urinewegstents, inspectie van de blaas en urethra op letsels, en beoordeling van de doorgankelijkheid van de urethra.

PRODUCTOMSCHRIJVING:

De LiNA OperåScope™ is een kijkbuis voor eenmalig gebruik, werkt op batterijen en bevat een canule, een lcd-scherm en een HDMI-kabel van 3 meter die aan de handgreep is bevestigd. De LiNA OperåScope™ wordt steriel geleverd door middel van ethyleenoxide en de batterijen worden steriel geleverd door middel van straling.

De canule met een (nominale) diameter van 4,2 mm beschikt over een minicamera en ledverlichting bij de distale tip. De gebogen tip van de canule kan worden rondgedraaid door middel van de draaiknop (**Afbeelding 7**) op de handgreep. In het midden van deze draaiknop kunnen instrumenten/accessoires worden ingebracht met een nominale diameter van maximaal 1,86 mm (5,5 Fr) en een minimale werk lengte van 310 mm. De baarmoederholte/blaaas kunnen wijder worden gemaakt met een verwijdingsmiddel door middel van de in- en uitstroomafsluitkraantjes met luerlockconnectors onder aan de handgreep. De HDMI-kabel onderaan de handgreep kan worden aangesloten op een externe monitor met HDMI-ingang of op de LiNA OperåScope™ Recording Module voor het opnemen van video's of foto's op een standaard USB-stick (zorg dat de USB-stick genoeg vrije opslagruimte heeft).

Tijdens de operatie kan de visualisatie worden geoptimaliseerd door de helderheid (verlichting) aan te passen. De helderheid kan worden ingesteld met de verlichtingsknop op de handgreep (**Afbeelding 5**). De standaardinstelling staat op maximale helderheid.

Naast de LiNA OperåScope™ kan de LiNA OperåScope™ Recording Module (**Afbeelding 4**) worden gebruikt om foto's en video's te maken die op een later moment kunnen worden bekeken. De LiNA OperåScope™-opnamemodule wordt niet steriel geleverd en moet worden aangesloten op de HDMI-kabel van de LiNA OperåScope™. De LiNA OperåScope™ Recording Module mag niet in contact komen met het steriele veld of de patiënt.



De LiNA OperåScope™ en de opnamemodule moeten bij omgevingstemperatuur worden gebruikt en moeten op een droge locatie bij kamertemperatuur worden opgeslagen.

Omgevingsomstandigheden tijdens het vervoer en bij opslag:

| | |
|--------------------|--------------------|
| Temperatuur | 0 °C tot +55 °C |
| Luchtvochtigheid | 10% tot 90% |
| Atmosferische druk | 70 kPa tot 106 kPa |

Omgevingsomstandigheden tijdens gebruik:

| | |
|--------------------|--------------------|
| Temperatuur | +10 °C tot +40 °C |
| Luchtvochtigheid | 35% tot 75% |
| Atmosferische druk | 70 kPa tot 106 kPa |

ACCESSOIRES:

De volgende accessoires kunnen worden gebruikt in combinatie met de LiNA OperåScope™:

- LiNA OperåScope™ Recording Module;
- commercieel verkrijgbare vloeistofslangen met mannelijke luerlockconnector;
- commercieel verkrijgbare instrumenten/accessoires voor diagnostisch/therapeutisch gebruik.

CONTRA-INDICATIES:

Het hulpmiddel is gecontra-indiceerd voor hysteroscopie in de volgende situaties:

- baarmoeder kan niet wijder worden gemaakt;
- cervixstenose;
- vaginale/baarmoederhalsontsteking;
- baarmoederbloedingen of menstruatie;
- bekende zwangerschap;
- bekend carcinoom in de cervix en/of baarmoeder;
- recente baarmoederperforatie;
- bekende ontsteking in het kleine bekken (PID);
- medische contra-indicatie of intolerantie voor anesthesie.

Het hulpmiddel is gecontra-indiceerd voor cystoscopie in de volgende situaties:

- bekende ontsteking in het kleine bekken (PID);
- acute/bekende urineweginfecties;
- ernstige coagulopathie.

WAARSCHUWINGEN:

De patiënt kan ernstig letsel oplopen als niet alle instructies, waarschuwingen en voorzorgsmaatregelen worden opgevolgd.

- De LiNA OperåScope™ wordt STERIEL geleverd door middel van ethyleenoxide (LiNA OperåScope™) en straling (batterijen). Controleer de verpakking zorgvuldig op schade voorafgaand aan gebruik. Gebruik het hulpmiddel NIET als de steriele barrière is beschadigd. Gebruik het hulpmiddel NIET nadat de vervaldatum is verstreken. Gebruik het hulpmiddel NIET als het voorafgaand aan de procedure is blootgesteld aan niet-steriele oppervlakken.
- Als de verlichting wordt ingesteld op de laagste stand, kan dit de visualisatie belemmeren en is het hulpmiddel mogelijk niet geschikt voor chirurgische ingrepen. De gebruiker moet voorafgaand aan gebruik controleren of het verlichtingsbereik geschikt is voor de geplande procedure.
- Breng de LiNA OperåScope™ niet verder in als u weerstand voelt terwijl het hulpmiddel zich in de patiënt bevindt.
- Probeer de vorm van de distale canule niet aan te passen.
- Uitsluitend voor eenmalig gebruik. U mag de LiNA OperåScope™ niet opnieuw gebruiken, herverwerken of opnieuw steriliseren. Door het hulpmiddel te herverwerken, kunnen de functies van het hulpmiddel defect raken. Hergebruik van hulpmiddelen voor eenmalig gebruik kan ook leiden tot een hoger risico op kruisbesmetting. Als u het hulpmiddel probeert te reinigen, kan het defect raken en/of kan het pathogiemonster mogelijk niet goed worden afgenomen vanwege resterend weefsel in de LiNA OperåScope™.
- De batterij mag tijdens de behandeling niet worden verwijderd.
- Zorg dat u altijd een reservehulpmiddel bij de hand hebt dat u onmiddellijk kunt gebruiken.
- Gebruik alleen de batterijen die zijn meegeleverd met elk LiNA OperåScope™-hulpmiddel. Dit zijn Energizer AA-alkalinebatterijen in een speciale batterijverpakking voor de LiNA OperåScope™.
- LiNA OperåScope™ is ontworpen met een batterijlevensduur van 60 minuten.



- Als het hulpmiddel tijdens gebruik niet goed werkt of als de batterijlevensduur is verstreken, moet u de procedure onmiddellijk stoppen, de LiNA OperåScope™ langzaam verwijderen en deze vervangen door een nieuwe LiNA OperåScope™.
- Draagbare RF-communicatieapparatuur (waaronder randapparatuur zoals antennekabels en externe antennes) mag niet dichter dan 30 cm (12 inch) bij de LiNA OperåScope™ worden gebruikt, aangezien de prestaties van de LiNA OperåScope™ hierdoor negatief kunnen worden beïnvloed.
- Het gebruik van andere accessoires, transducers en kabels dan in dit document gespecificeerd, kan leiden tot veranderingen in de elektromagnetische eigenschappen, wat kan leiden tot een onjuiste werking.
- Gebruik het LiNA OperåScope™-hulpmiddel niet naast andere apparaten, aangezien het hulpmiddel hierdoor mogelijk niet meer goed werkt. Als dit toch noodzakelijk is, moeten alle apparaten worden gecontroleerd om na te gaan of ze normaal werken.
- Dompel de handgreep, de batterij, de HDMI-poort en/of het lcd-scherm van de LiNA OperåScope™ niet onder in een bad met vloeistof. Als de LiNA OperåScope™ toch wordt ondergedompeld, moet u ervoor zorgen dat de LiNA OperåScope™ voorafgaand aan klinisch gebruik is opgedroogd en nog werkt. Als de LiNA OperåScope™ niet meer werkt, moet u een nieuw hulpmiddel gebruiken.
- Om het risico op perforatie te verlagen, mag u de LiNA OperåScope™ alleen inbrengen/bewegen terwijl u door middel van de live camerabeelden en verlichting kunt meekijken.
- Hysteroscopische procedures met de LiNA OperåScope™ mogen alleen worden uitgevoerd door medische professionals die voldoende zijn opgeleid voor dit soort procedures.
- Cystoscopieprocedures met de LiNA OperåScope™ mogen alleen worden uitgevoerd door medisch personeel dat voldoende is opgeleid voor dit soort procedures.
- Er wordt gebruikgemaakt van een vloeibaar verwijdingsmiddel. De in- en uitstroom van dit middel moeten nauwlettend in de gaten worden gehouden. Als er meer dan 1 liter in de baarmoeder wordt geïnstilleerd, moet u er goed op letten dat er niet te veel vloeistof in de baarmoeder komt.

VOORZORGSMATREGELEN:

Mogelijke algemene complicaties tijdens het gebruik van de LiNA OperåScope™

Voordat u de LiNA OperåScope™ gebruikt of nadat u de instellingen wijzigt, moet u altijd controleren of de LiNA OperåScope™ een livebeeld weergeeft (in plaats van een opgeslagen beeld) en of de beeldoriëntatie klopt.

Als er tijdens het gebruik van de LiNA OperåScope™ niet continu wordt gespoeld/geïrrigeerd, kan de bedrijfstemperatuur van het distale uiteinde oplopen tot boven de 41 °C (105,8 °F).

Wanneer de LiNA OperåScope™ Recording Module is aangesloten op de LiNA OperåScope™, moet u ervoor zorgen dat de stroomvoorziening eenvoudig te bereiken is als de stroom moet worden uitgeschakeld.

Zorg dat de LiNA OperåScope™ Recording Module en de monitor buiten het bereik van de patiënt blijven.

Mogelijke complicaties van hysteroscopie/cystoscopie met continue doorstroming:

- hyponatriëmie;
- hypothermie;
- baarmoederperforatie/verkeerd doorgangkanaal, wat mogelijk leidt tot letsel aan de darmen, blaas, grote bloedvaten en urethra;
- blaasperforatie/verkeerd doorgangkanaal, wat mogelijk leidt tot letsel aan de darmen, baarmoeder, grote bloedvaten en urethra;
- longoedeem;
- hersenoedeem;
- infectie;
- bloeding;
- pijn;
- vasovagale reactie;
- urethratrauma (specifiek voor cystoscopie).

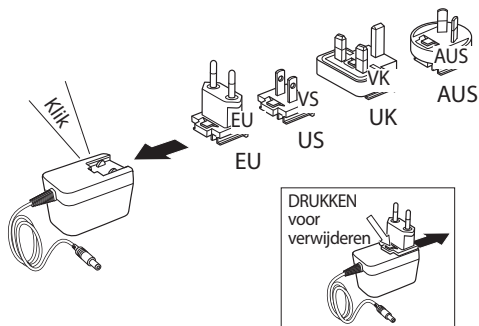
Het wordt aanbevolen om een normale zoutoplossing als verwijdingsmiddel te gebruiken en het infusievolume te beperken tot minder dan 1000 ml. Zo is het risico op de bovenstaande complicaties lager. De baarmoeder kan doorgaans worden verwijfd binnen een drukbereik van 35-75 mmHg. Tenzij er sprake is van een overmatige systemische bloeddruk, hoeft u zelden een druk van meer dan 75-80 mmHg te gebruiken.

GBRUIKSINSTRUCTIES:

Lees de gebruiksinstructies voordat u dit hulpmiddel gebruikt!

1. Controleer de verpakking zorgvuldig op schade voorafgaand aan gebruik. Gebruik het hulpmiddel NIET als de steriele barrière is beschadigd. Gebruik het hulpmiddel NIET nadat de vervaldatum is verstreken.
2. Haal de LiNA OperåScope™ met een steriele techniek uit de gesteriliseerde blisterverpakking (**Afbeelding 2**).

3. Bevestig de instroomslang aan de instroompoort en de uitroomslang aan de uitroompoort (**Afbeelding 3**).
4. De LiNA OperåScope™ kan met een HDMI-kabel worden aangesloten op een externe monitor of de opnamemodule.
Opmerking: voordat u de LiNA OperåScope™ Recording Module gebruikt, moet u ervoor zorgen dat de stekker in het stopcontact zit, het hulpmiddel is aangesloten en het groene aan-uitlampje brandt.



5. Haal de batterij uit de gesteriliseerde blisterverpakking en plaats de batterij in de handgreep van de LiNA OperåScope™ (**Afbeelding 6**).
6. Het lampje aan het distale uiteinde van de canule gaat branden en het camerabeeld zou nu op het lcd-scherm te zien moeten zijn. Als het lampje of de camera niet werkt, moet u stoppen met het instellen en een nieuwe LiNA OperåScope™ openen (**Afbeelding 7**).
7. Spoel de vloeistof door de canule totdat alle luchtbellen uit de slang zijn verdwenen (**Afbeelding 8**).
8. De LiNA OperåScope™ is nu klaar voor gebruik.
9. Terwijl de vloeistof doorstroomt, brengt u de canule in het cervixkanaal of de urethra in en bekijkt u het camerabeeld. Dit is de standaardprocedure voor het inbrengen van de LiNA OperåScope™ (**Afbeelding 9**).
10. Als u een foto of video wilt maken, plaatst u een USB-stick in de LiNA OperåScope™ Recording Module en zorgt u dat de HDMI-kabel is aangesloten op de LiNA OperåScope™. De handgreep van de LiNA OperåScope™ en de opnamemodule beschikken beide over foto- en video-opnameknoppen. Druk één keer op de fotoknop om een foto te maken. Druk één keer op de videoknop om de opname te starten. Druk nog een keer op de videoknop om de opname te stoppen (**Afbeelding 5**).
Opmerking: wanneer de LiNA OperåScope™ Recording Module bezig is, brandt het ledlampje blauw.
11. In het midden van de draaiknop van de handgreep van de LiNA OperåScope™ zit een gat (**Afbeelding 9**) waarmee diagnostische en therapeutische instrumenten/accessoires in de baarmoeder of blaas kunnen worden ingebracht. Instrumenten/accessoires met de volgende afmetingen zijn compatibel met het gat in het midden van de LiNA OperåScope™:
 - Maximale buitendiameter: 1,86 mm (5,5 Fr)
 - Minimale werklengte: 310 mm
12. Verwijder de LiNA OperåScope™ nadat de procedure is voltooid (**Afbeelding 10**).
13. Verwijder de batterij en voer deze af. Het hulpmiddel kan nu veilig worden afgevoerd volgens de plaatselijke regelgeving (**Afbeelding 11**).
14. Haal de USB-stick uit de LiNA OperåScope™ Recording Module en kopieer de opnames naar een computer via een USB-poort (**Afbeelding 12**).

Technische specificaties van de LiNA OperåScope™

| | |
|----------------------------------|---|
| Nominale ingangsspanning: | 3 VDC ±10% |
| Nominale stroom: | 330 mA ±20% |
| Batterijtype: | 2 Energizer AA-alkalinebatterijen van 1,5 V (niet-oplaadbaar) |
| Bedrijfsduur: | ≤ 60 minuten |
| Cameraresolutie: | 400 x 400 pixels |
| Diagonale lengte van lcd-scherm: | 4,3 inch |
| Minimale werklengte: | 240 mm |
| Vaste hoek van uiteinde: | 20° ±5° |

Levensduur

De LiNA OperåScope™ heeft een levensduur van 36 maanden. De testeenheden zijn getest in gesimuleerde transportomstandigheden volgens ASTM D4169, cyclus 13, zekerheidsniveau 1. Alle eenheden zijn gecontroleerd, onderworpen aan verificatietests van ontwerp en voldoen aan alle acceptatiecriteria.

LiNA OPERÅSCOPE™ RECORDING MODULE:

De stroomvoorziening van de LiNA OperåScope™ Recording Module is voorbereid volgens de bovenstaande bullet 4 in de gebruiksinstructies. De verschillende ref.-nummers verwijzen naar het bijbehorende stopcontact.

- OP-RM-1-EU (voor gebruik in meeste EU-landen – stopcontact type C)
- OP-RM-1-UK (voor gebruik in het VK en andere landen waarin stopcontact type C wordt gebruikt)
- OP-RM-1-AUS (voor gebruik in Australië en andere landen waarin stopcontact type I wordt gebruikt)

Video/fotobestanden downloaden na de procedure

U kunt video's en foto's van de LiNA OperåScope™ downloaden met behulp van LiNA OperåScope™ Recording Module-USB en deze opnemen in het medisch dossier van de patiënt. Aangezien de video/fotobestanden geen herkenbare patiëntgegevens weergeven, moet het gedownloade bestand na de procedure onmiddellijk worden geüpload en bewaard in het medisch dossier van de patiënt zodat het duidelijk is welk bestand bij welke patiënt hoort.

Opgenomen video's/foto's op de computer weergeven

Stap 1

Steek de USB-stick in de USB-poort van de computer.

Stap 2

Download en installeer aanvullende codecssoftware voor Windows Media Player, zoals Media Player Codec Pack.

Stap 3

Klik op 'Start' ('Starten') in Windows en selecteer de map waarin het MPEG 4-bestand zich bevindt, zoals My Videos (Mijn video's) of Downloads (Downloads).

Stap 4

Klik met de rechtermuisknop op de video en selecteer 'Openen met'. Selecteer 'Windows Media Player' uit de beschikbare opties om de video/afbeeldingen weer te geven.

Opmerking: de LiNA OperåScope™ Recording Module moet als elektronisch afval worden afgevoerd volgens de plaatselijke regelgeving.

Reiniging na de procedure

De LiNA OperåScope™ Recording Module is bedoeld voor gebruik buiten het steriele veld, uit de buurt van de patiënt. Hoewel de LiNA OperåScope™ Recording Module niet bedoeld is om in direct contact te komen met de patiënt, kan het hulpmiddel wel worden blootgesteld aan lichaamsvloeistoffen en/of bloed, aangezien het tijdens de patiëntbehandeling wordt gebruikt in de operatiekamer.

Nadat het hulpmiddel bij een patiënt is gebruikt, moet u de volgende reinigings-/desinfectie-instructies opvolgen om de externe onderdelen goed schoon te maken.



DE LiNA OPERÅSCOPE™ RECORDING MODULE MAG NIET WORDEN ONDERGEDOMPELD.

TIJDENS HET REINIGEN/DESINFECTEREN MOET U DE LiNA OPERÅSCOPE™ RECORDING MODULE ZO HOUDEN, DAT ER ZO WEINIG MOGELIJK VLOEISTOF IN CONTACT KOMT MET DE STROOM-, USB-, KUIKBUIS- EN MONITORAANSLUITINGEN.

DE BEHUIZING VAN DE LiNA OPERÅSCOPE™ RECORDING MODULE MAG NIET WORDEN GEOPEND VOOR REINIGING/DESINFECTIE.

WAARSCHUWING: DIT HULPMIDDEL MAG NIET WORDEN AANGEPAST.

1. Schakel de LiNA OperåScope™ Recording Module uit en haal de stekker eruit.
2. Plaats de LiNA OperåScope™ Recording Module en het netsnoer op een schoon, droog oppervlak.
3. Gebruik een reinigings-/desinfectiedoekje en veeg de bovenkant, onderkant en alle 4 zijanten van de LiNA OperåScope™ Recording Module schoon.
4. Kijk hierna of er nog lichaamsvloeistoffen of vuil op de buitenkant zitten en veeg ze weg.
5. Laat de LiNA OperåScope™ Recording Module minimaal 3 minuten staan.
6. Gebruik een wattenstaafje met 70% isopropyl en maak de naden van de module goed schoon, zodat er geen lichaamsvloeistoffen meer op de module zitten.
7. Zodra u ziet dat de module schoon is, kunt u het hulpmiddel opslaan voor later gebruik.



LiNA OperåScope™

REF OP-201-6-I, OP-RM-1-UK, OP-RM-1-EU, OP-RM-1-AUS

Levensduur van 7 jaar voor de batterij van de LiNA OperåScope™ Recording Module:

De batterij van de LiNA OperåScope™ Recording Module heeft een levensduur van 7 jaar vanaf de productiedatum en wordt vervangen voordat de vervaldatum is verstreken.

| | |
|---------------------------------------|---------------------------------------|
| Nominale ingangsspanning: | 100-240 VAC ±10% |
| Nominale ingangsfrequentie: | 50-60 Hz |
| Nominale ingangsstroom: | 0,16-0,08 Arms bij maximale belasting |
| Nominale uitgangsspanning: | Uout: 9 VDC +5%/–5% |
| Nominale uitgangsstroom lout: | 800 mA |
| Meegeleverde netstroomadapter: | Friwo Fox 9 VDC/800 mA |

Algemene informatie:

Omgevingsomstandigheden tijdens het vervoer en bij opslag:

| | |
|--------------------|--------------------|
| Temperatuur | 0 °C tot +55 °C |
| Luchtvochtigheid | 10% tot 90% |
| Atmosferische druk | 70 kPa tot 106 kPa |

Omgevingsomstandigheden tijdens gebruik:

| | |
|--------------------|--------------------|
| Temperatuur | +10 °C tot +40 °C |
| Luchtvochtigheid | 35% tot 75% |
| Atmosferische druk | 70 kPa tot 106 kPa |

De LiNA OperåScope™ voldoet aan de EMC-normen: Medische elektrische apparatuur – DEEL 1-2: Algemene eisen voor de veiligheid en essentiële prestaties.

- Opmerking: door de emissie-eigenschappen van dit hulpmiddel is het geschikt voor gebruik in industriële omgevingen en ziekenhuizen/klinieken (CISPR 11 klasse A). Dit hulpmiddel is niet bedoeld voor gebruik buiten een ziekenhuis of kliniek.
- De immuniteit geldt voor de omgeving van een professionele zorginstelling.

Opensourcesoftware gebruikt in de LiNA OperåScope™ Recording Module:

Het product bevat onder andere opensourcesoftware die is gelicentieerd onder een opensourcesoftwarelicentie en ontwikkeld door derden. Deze opensourcesoftwarebestanden zijn auteursrechtelijk beschermd. Uw rechten om de opensourcesoftware te gebruiken voor andere zaken dan het LiNA Medical-programma, vallen onder de licentievoorwaarden van de desbetreffende opensourcesoftware.

Als u zich houdt aan deze licentievoorwaarden, mag u de opensourcesoftware gebruiken zoals aangegeven in de desbetreffende licentie. Als er sprake is van tegenstrijdigheden tussen de licentievoorwaarden van LiNA Medical en die van de opensourcesoftware, gelden de voorwaarden van de opensourcesoftware als het gaat om opensourcesoftwareonderdelen van de software. De opensourcesoftware wordt royaltyvrij gelicentieerd (er worden geen kosten in rekening gebracht voor het uitoefenen van de gelicentieerde rechten, maar er kunnen wel kosten in rekening worden gebracht ter vergoeding van kosten die zijn gemaakt door LiNA Medical).

In dit document vindt u een lijst van de opensourcesoftwareprogramma's in dit product en de opensourcesoftwarelicenties.

Als dit product programma's bevat die zijn gelicentieerd onder de GNU Algemene Gebruikerslicentie, de GNU Kleine Algemene Gebruikerslicentie of een andere opensourcesoftwarelicentie waarvoor u de broncode nodig hebt, en als deze software niet in broncodevorm met het hulpmiddel is meegeleverd, dan kunt u de desbetreffende broncode opvragen bij LiNA Medical door 5 euro te betalen voor het opsturen van een kopie van de broncode. U kunt uw specifieke aanvraag binnen drie jaar na de aanschafdatum van dit product samen met de naam en/of het ID-nummer van het product opsturen naar:

LiNA Medical
Formervangen 5
DK-2600 Glostrup
Denemarken
www.lina-medical.com

Garantie met betrekking tot het verdere gebruik van de opensourcesoftware:

LiNA Medical biedt geen garanties voor de opensourcesoftwareprogramma's in dit hulpmiddel als deze programma's worden gebruikt voor andere doeleinden dan voor het uitvoeren van het programma zoals beoogd door LiNA Medical. Bij de onderstaande licenties staan de garanties van de auteurs of licentiegevers van de opensourcesoftware, indien van toepassing. LiNA Medical doet expliciet afstand van alle garanties met betrekking



LiNA OperåScope™

REF OP-201-6-I, OP-RM-1-UK, OP-RM-1-EU, OP-RM-1-AUS

tot defecten doordat een opensourcesoftwareprogramma of de productconfiguratie is aangepast. U kunt geen garantie claimen bij LiNA Medical als de opensourcesoftware inbreuk maakt op de intellectuele-eigendomsrechten van een externe partij. Technische ondersteuning wordt, indien van toepassing, alleen verleend voor ongewijzigde software.

Meldingen:

Ernstige incidenten die zijn opgetreden met betrekking tot dit hulpmiddel, moeten worden gemeld bij LiNA Medical ApS en de bevoegde regelgevende instantie van het land waarin de gebruiker en/of patiënt zich bevindt. WWCE-markering: 2020.





PRZEZNACZENIE:

LiNA OperåScope™ do histeroskopii:

Urządzenie LiNA OperåScope™ jest przeznaczone do stosowania w celu wizualizacji wnętrza kanału szyjki macicy oraz jamy macicy podczas diagnostycznych i terapeutycznych zabiegów ginekologicznych.

LiNA OperåScope™ do cystoskopii:

Urządzenie LiNA OperåScope™ jest przeznaczone do stosowania w celu wizualizacji wnętrza cewki moczowej oraz pęcherza moczowego u kobiet podczas diagnostycznych i terapeutycznych zabiegów cystoskopii.

POPULACJA PACJENTEK:

Pacjentki w wieku nastoletnim lub starsze, u których wykonywane są diagnostyczne i terapeutyczne zabiegi ginekologiczne wymagające wizualizacji wnętrza kanału szyjki macicy oraz jamy macicy.

Pacjentki w wieku nastoletnim lub starsze, u których wykonywane są diagnostyczne i terapeutyczne zabiegi cystoskopii wymagające wizualizacji wnętrza cewki moczowej oraz pęcherza moczowego.

Rodzaje zabiegów, podczas których można wykorzystać urządzenie LiNA OperåScope™ na potrzeby wizualizacji, są następujące:

- Histeroskopia:
 - ocena w przypadku nieprawidłowych krwawień, bólu miednicy, braku miesiączki lub nieprawidłowych wyników histerosalpingografii;
 - ocena w przypadku niepłodności oraz poronień;
 - potwierdzenie obecności ciała obcego we wnętrzu macicy;
 - ułatwienie lokalizacji mięśniaków podśluzówkowych i polipów przeznaczonych do usunięcia;
 - zapewnienie nawigacji wzrokowej podczas ukierunkowanej biopsji, wykwalifikowanego polipektomii, miomektomii mięśniaków podśluzówkowych oraz przecinania zrostów i przegrody w jamie macicy.
- Cystoskopia:
 - Urządzenie LiNA OperåScope™ umożliwia minimalnie inwazyjne uwidocznienie wnętrza pęcherza moczowego u kobiet przez wykorzystanie naturalnych otworów ciała w celu uzyskania dostępu do miejsca prowadzenia diagnostyki.
 - Co więcej, zapewnia nawigację wzrokową podczas następujących zabiegów diagnostycznych i terapeutycznych: ocena w przypadku nawrotowych zakażeń układu moczowego (ZUM), bólu miednicy, trudności w oddawaniu moczu i nietrzymania moczu, ukierunkowana biopsja, usuwanie polipów oraz kamieni z pęcherza moczowego, wstrzyknięcia toksyny botulinowej (np. produktu leczniczego Botox), wprowadzanie i (lub) usuwanie stentów urologicznych, sprawdzanie pod kątem uszkodzeń w obrębie pęcherza moczowego i cewki moczowej oraz ocena drożności moczowodów.

OPIS PRODUKTU:

Urządzenie LiNA OperåScope™ to zasilany bateryjnie endoskop jednorazowego użytku, wyposażony w kaniulę, wyświetlacz LCD oraz kabel HDMI o długości 3 m przymocowany do rękojeści. Urządzenie LiNA OperåScope™ jest dostarczane w stanie sterylnym: endoskop jest sterylizowany z użyciem tlenu etylenu, natomiast zestaw baterii — przez napromienianie.

Kaniula o średnicy 4,2 mm (wartość nominalna) zawiera miniaturową kamerę oraz oświetlenie LED na końcu dystalnym, natomiast zakrzywioną fabrycznie końcówką kaniuli obraca się za pomocą pokrętki (**rycina 7**) na rękojeści. Środkowa część tego pokrętki to kanał do wprowadzania narzędzi/akcesoriów o średnicy nieprzekraczającej 1,86 mm (5,5 F) (wartość nominalna) oraz o długości roboczej wynoszącej co najmniej 310 mm. Rozszerzenie i przepłukiwanie wnętrza macicy/pęcherza moczowego z wykorzystaniem medium rozszerzającego ułatwiają zawory typu luer lock, oddzielne do podawania i odprowadzania medium, znajdujące się u dołu rękojeści. Kabel HDMI znajdujący się u dołu rękojeści można podłączyć do monitora zewnętrznego z wejściem HDMI lub do modułu LiNA OperåScope™ Recording Module w celu rejestrowania nagrań wideo bądź zdjęć w standardowej pamięci USB (należy pamiętać o zapewnieniu wolnego miejsca w pamięci USB).

Podczas zabiegu możliwa jest optymalizacja widoczności przez dostosowanie jasności (oświetlenia). Jasność jest kontrolowana za pomocą przycisku jasności (**rycina 5**) znajdującego się na rękojeści. Domyślnie ustawiony jest najwyższy poziom jasności.



Poza urządzeniem LiNA OperåScope™ dostępny jest moduł LiNA OperåScope™ Recording Module (**rycina 4**), który umożliwia zapisywanie zdjęć oraz nagrań wideo w celu późniejszego wyświetlenia. Moduł LiNA OperåScope™ Recording Module jest dostarczany w stanie niejałowym i jest przeznaczony do podłączenia do kabla HDMI urządzenia LiNA OperåScope™. Moduł LiNA OperåScope™ Recording Module nie powinien wchodzić w kontakt ze strefą sterylną ani ciałem pacjentki.

Urządzenie LiNA OperåScope™ oraz moduł Recording Module powinny być stosowane w warunkach otoczenia i przechowywane w suchym miejscu w temperaturze pokojowej.

Warunki otoczenia podczas transportu i przechowywania:

| | |
|-------------------------|----------------------|
| Temperatura | od 0°C do + 55°C |
| Wilgotność powietrza | od 10% do 90% |
| Ciśnienie atmosferyczne | od 70 kPa do 106 kPa |

Warunki otoczenia podczas użytkowania:

| | |
|-------------------------|----------------------|
| Temperatura | od +10°C do +40°C |
| Wilgotność powietrza | od 35% do 75% |
| Ciśnienie atmosferyczne | od 70 kPa do 106 kPa |

AKCESORIA:

Z urządzeniem LiNA OperåScope™ można stosować następujące akcesoria:

- LiNA OperåScope™ Recording Module;
- dostępny na rynku zestaw do kontroli płynów z męskim złączem typu luer lock;
- dostępne na rynku narzędzia/akcesoria do zastosowań diagnostycznych/terapeutycznych.

PRZECIWWSKAZANIA:

Stosowanie urządzenia podczas zabiegów histeroskopii jest przeciwwskazane w następujących przypadkach:

- niemożność rozszerzenia jamy macicy;
- zwężenie szyjki macicy;
- zakażenie w obrębie szyjki macicy/pochwy;
- krwawienie z macicy lub miesiączka;
- potwierdzona ciąża;
- rozpoznany nowotwór złośliwy szyjki macicy i (lub) macicy;
- niedawna perforacja macicy;
- rozpoznane zapalenie narządów miednicy mniejszej (ang. Pelvic Inflammatory Disease, PID);
- przeciwwskazania medyczne do zastosowania znieczulenia lub jego nietolerancja.

Stosowanie urządzenia podczas zabiegów cystoskopii jest przeciwwskazane w następujących przypadkach:

- rozpoznane zapalenie narządów miednicy mniejszej (ang. Pelvic Inflammatory Disease, PID);
- ostre/rozpoznane zakażenia układu moczowego;
- ciężka koagulopatia.

OSTRZEŻENIA:

Nieprzestrzeganie jakichkolwiek instrukcji oraz ostrzeżeń i środków ostrożności może doprowadzić do ciężkiego urazu pacjentki.

- Urządzenie LiNA OperåScope™ jest dostarczane w stanie STERYLNYM. Sterylizacja odbywa się z wykorzystaniem tlenu etylenu (LiNA OperåScope™) i napromieniania (baterie). Przed użyciem należy starannie skontrolować opakowanie pod kątem uszkodzeń. NIE WOLNO używać instrumentu, jeżeli bariera sterylna jest uszkodzona. NIE UŻYWAĆ sprzętu po upływie daty przydatności. NIE stosować, jeśli przed zabiegiem urządzenie miało kontakt z niesterylnymi powierzchniami.
- Niskie natężenie światła przy najniższym dostępnym ustawieniu może ograniczać widoczność i może być nieodpowiednie do zabiegów chirurgicznych. Operator urządzenia powinien sprawdzić przed użyciem, czy zakres natężenia światła jest odpowiedni do planowanego zabiegu.
- Nie należy wprowadzać dalej urządzenia LiNA OperåScope™ w sytuacji napotkania oporu, gdy endoskop znajduje się w ciele pacjentki.
- Nie należy podejmować prób zmiany kształtu kaniuli dystalnej.
- Wyrób jest jednorazowy. NIE wykorzystywać i nie sterylizować ponownie urządzenia LiNA OperåScope™ ani nie przygotowywać go do ponownego użycia. Przygotowanie do ponownego użycia może zakłócić działanie urządzenia. Wielokrotne użytkowanie wyrobów jednorazowych zwiększa ryzyko wzajemnego zakażenia. Próby czyszczenia instrumentu skutkują ryzykiem jego uszkodzenia i (lub) błędnym pobieraniem próbek do badań histopatologicznych ze względu na ślady tkanek z poprzednich zabiegów w urządzeniu LiNA OperåScope™.

- Nie wolno wyjmować baterii z instrumentu podczas zabiegu.
- Należy zawsze dysponować urządzeniem zapasowym gotowym do natychmiastowego użycia.
- Należy korzystać wyłącznie z baterii dostarczonych z każdym urządzeniem LiNA OperåScope™ — baterii alkalicznych AA Energizer znajdujących się w zestawie baterii dedykowanym dla urządzenia LiNA OperåScope™.
- Urządzenie LiNA OperåScope™ pracuje na zasilaniu bateryjnym przez 60 minut.
- W przypadku wystąpienia nieprawidłowej pracy podczas korzystania z urządzenia lub po upływie okresu zasilania bateryjnego należy niezwłocznie przerwać zabieg, powoli wycofać urządzenie LiNA OperåScope™ i zastąpić je nowym endoskopem LiNA OperåScope™.
- Przenośne urządzenia do komunikacji radiowej (w tym urządzenia peryferyjne, takie jak kable antenowe i anteny zewnętrzne) nie powinny być wykorzystywane w obrębie 30 cm (12 cali) od urządzenia LiNA OperåScope™. W przeciwnym razie może dojść do pogorszenia działania urządzenia LiNA OperåScope™.
- Korzystanie z akcesoriów, przetworników i kabli innych niż określone może skutkować zmianą właściwości elektromagnetycznych, co może prowadzić do nieprawidłowego działania.
- Należy unikać korzystania z urządzenia LiNA OperåScope™ w pobliżu innego sprzętu, gdyż może to prowadzić do niewłaściwego działania. Jeśli uniknięcie takiego zastosowania nie jest możliwe, należy obserwować to urządzenie oraz inny sprzęt w celu stwierdzenia, czy działają prawidłowo.
- Należy unikać zanurzenia rękojeści, baterii, portu HDMI i (lub) ekranu LCD urządzenia LiNA OperåScope™ w zbiorniku z cieczą. Jeśli dojdzie do zanurzenia urządzenia LiNA OperåScope™ w płynie, przed zastosowaniem endoskopu w warunkach klinicznych należy poczekać na jego wyschnięcie i sprawdzić, czy nadal działa. Jeśli urządzenie LiNA OperåScope™ nie działa, należy wymienić je na nowy egzemplarz.
- W celu zmniejszenia ryzyka perforacji wprowadzanie endoskopu LiNA OperåScope™ i posługiwanie się nim powinno odbywać się jedynie przy równoczesnej obserwacji obrazu w czasie rzeczywistym z kamery oraz stosowania oświetlenia.
- Zabiegi histeroskopii z użyciem urządzenia LiNA OperåScope™ powinny być wykonywane jedynie przez wykwalifikowanego pracownika służby zdrowia z odpowiednim przeszkoleniem w zakresie histeroskopii.
- Zabiegi cystoskopii z użyciem urządzenia LiNA OperåScope™ powinny być wykonywane jedynie przez wykwalifikowanego pracownika służby zdrowia z odpowiednim przeszkoleniem w zakresie cystoskopii.
- Podczas zabiegu wykorzystywane jest płynne medium rozszerzające. Konieczny jest ścisły nadzór nad podanym i odprowadzonym płynem. Podawanie do jamy macicy płynu w objętości przekraczającej 1 litr powinno być prowadzone z wielką ostrożnością w celu uniknięcia możliwości przeładowania płynami.

ŚRODKI OSTROŻNOŚCI:

Potencjalne powikłania ogólne podczas korzystania z urządzenia LiNA OperåScope™

Przed każdym użyciem oraz po zmianie ustawień urządzenia LiNA OperåScope™ należy sprawdzić, czy obraz wyświetlany przez urządzenie LiNA OperåScope™ jest obrazem w czasie rzeczywistym (a nie zapisanym wcześniej) oraz czy ma prawidłową orientację.

W przypadku nieutrzymania ciągłego przepłukiwania/irygacji podczas korzystania z urządzenia LiNA OperåScope™ temperatura robocza końcówki dystalnej może przekroczyć 41°C (105,8°F).

W sytuacji podłączenia modułu LiNA OperåScope™ Recording Module do urządzenia LiNA OperåScope™ należy upewnić się, że jednostka zasilająca jest łatwo dostępna na potrzeby odłączenia zasilania.

Upewnić się, że moduł LiNA OperåScope™ Recording Module oraz monitor znajdują się poza zasięgiem pacjentki.

Potencjalne powikłania histeroskopii/cystoskopii z ciągłym przepływem:

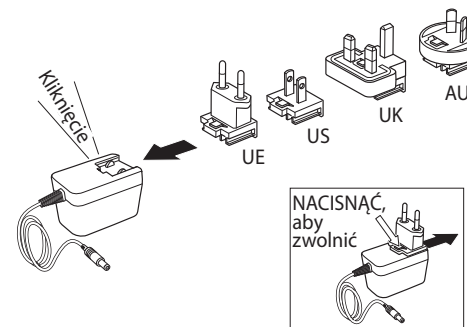
- hiponatremia;
- hipotermia;
- perforacja macicy / powstanie przetoki mogące prowadzić do uszkodzenia jelit, pęcherza moczowego, dużych naczyń krwionośnych i moczowodu;
- perforacja pęcherza moczowego / powstanie przetoki mogące prowadzić do uszkodzenia jelit, macicy, dużych naczyń krwionośnych i moczowodu;
- obrzęk płuc;
- obrzęk mózgu;
- zakażenie;
- krwawienie;
- ból;
- epizody wazowagalne;
- uszkodzenie cewki moczowej (w przypadku cystoskopii).

W celu zmniejszenia ryzyka wystąpienia powyższych powikłań zaleca się korzystanie z roztworu soli fizjologicznej jako medium rozszerzającego oraz ograniczenie podawanej objętości do nieprzekraczającej 1000 ml. Rozszerzenie jamy macicy można zwykle osiągnąć z wykorzystaniem ciśnienia mieszczącego się w zakresie 35–75 mmHg. O ile układowe ciśnienie tętnicze krwi nie jest zbyt wysokie, rzadko konieczne jest stosowanie ciśnienia przekraczającego 75–80 mmHg.

INSTRUKCJA UŻYCIA:

Przed użyciem tego urządzenia należy zapoznać się z instrukcją użytkownika!

- Przed użyciem należy uważnie sprawdzić opakowanie pod kątem uszkodzeń. NIE PRÓBOWAĆ korzystać z przyrządu, jeżeli bariera sterylna została naruszona. NIE UŻYWAĆ sprzętu po upływie daty przydatności.
- Z wykorzystaniem techniki sterylnej wyjąć urządzenie LiNA OperåScope™ z wysterylizowanego blistra (**rycina 2**).
- Podłączyć przewód doprowadzający płyn do portu dopływowego oraz przewód odprowadzający płyn do portu odpływowego (**rycina 3**).
- Urządzenie LiNA OperåScope™ można podłączyć za pomocą kabla HDMI do monitora zewnętrznego lub modułu Recording Module.
Uwaga: przed użyciem modułu LiNA OperåScope™ Recording Module należy dopilnować zamocowania wtyczki odpowiedniej dla rodzaju gniazda ściennego w placówce, a następnie podłączyć moduł i sprawdzić, czy zielona dioda zasilania jest podświetlona.



- Wyjąć baterię z wysterylizowanego blistra i umieścić w rękojeści urządzenia LiNA OperåScope™ (**rycina 6**).
- Źródło światła na końcówce dystalnej kaniuli zacznie świecić, a na wbudowanym ekranie LCD powinien być widoczny obraz z kamery. Jeśli oświetlenie lub kamera nie działa, przerwać konfigurację i otworzyć nowe opakowanie z urządzeniem LiNA OperåScope™ (**rycina 7**).
- Przepłukiwać kaniulę płynem do momentu usunięcia z przewodu wszystkich pęcherzyków powietrza (**rycina 8**).
- Urządzenie LiNA OperåScope™ jest w tym momencie gotowe do użycia.
- Przy włączonym przepływie płynu i obserwacji wyświetlanego obrazu kaniula jest wprowadzana przez kanał szyjki macicy lub cewkę moczową, zgodnie ze standardową procedurą wprowadzania urządzenia LiNA OperåScope™ (**rycina 9**).
- Jeśli konieczne jest zapisanie zdjęcia lub pliku wideo, włożyć pamięć USB do modułu LiNA OperåScope™ Recording Module i upewnić się, że podłączono kabel HDMI z urządzenia LiNA OperåScope™. Przyciski przechwytywania zdjęć i plików wideo znajdują się zarówno na rękojeści urządzenia LiNA OperåScope™, jak i na module Recording Module. Nacisnąć i zwolnić przycisk zdjęcia, aby przechwytywać zdjęcia. Nacisnąć i zwolnić przycisk wideo, aby rozpocząć nagrywanie. Nacisnąć ponownie i zwolnić przycisk wideo w celu zatrzymania nagrywania (**rycina 5**).
Uwaga: gdy moduł LiNA OperåScope™ Recording Module jest zajęty, dioda LED będzie migać w kolorze niebieskim.
- Urządzenie LiNA OperåScope™ jest wyposażone w kanał centralny, znajdujący się w obrębie pokrętła na rękojeści (**rycina 9**), który umożliwia wprowadzanie narzędzi/akcesoriów diagnostycznych i terapeutycznych do światła macicy lub pęcherza moczowego. Z centralnym kanałem urządzenia LiNA OperåScope™ zgodne są narzędzia/akcesoria o następujących wymiarach:
 - Maksymalna średnica zewnętrzna: 1,86 mm (5,5 F)
 - Minimalna długość użytkowa: 310 mm
- Po zakończeniu zabiegu wyjąć urządzenie LiNA OperåScope™ (**rycina 10**).
- Wyjąć zestaw baterii i zutylizować baterie. W tym momencie możliwa jest bezpieczna utylizacja urządzenia zgodnie z obowiązującymi lokalnie przepisami (**rycina 11**).
- Wyjąć pamięć USB z modułu LiNA OperåScope™ Recording Module i przenieść nagrania na komputer za pośrednictwem portu USB (**rycina 12**).



LiNA OperåScope™

REF OP-201-6-I, OP-RM-1-UK, OP-RM-1-EU, OP-RM-1-AUS

Dane techniczne urządzenia LiNA OperåScope™

| | |
|-----------------------------------|--|
| Nominalne napięcie wejściowe: | 3 V prądu stałego ±10% |
| Nominalne natężenie prądu: | 330 mA ±20% |
| Rodzaj baterii: | 2 sztuki baterii alkalicznych AA 1,5 V Energizer (nienadające się do powtórnego ładowania) |
| Czas pracy: | ≤ 60 minut |
| Rozdzielczość kamery: | 400 x 400 pikseli |
| Przekątna wyświetlacza LCD: | 4,3 cala |
| Minimalna długość użytkowa: | 240 mm |
| Kąt zagiętej fabrycznie końcówki: | 20°±5° |

Warunki okresu przydatności do użycia

Okres przydatności do użycia urządzenia LiNA OperåScope™ to 36 miesięcy. Jednostki testowe zostały następnie wystawione na symulowane warunki transportu zgodnie z wymaganiami normy ASTM D4169 (cykl 13., poziom zabezpieczeń 1). Wszystkie jednostki skontrolowano i poddano testom weryfikującym konstrukcję. Wszystkie z nich spełniły wszystkie kryteria akceptacji.

MODUŁ LiNA OPERÅSCOPE™ RECORDING MODULE:

Źródło zasilania modułu LiNA OperåScope™ Recording Module przygotowuje się zgodnie z informacjami przedstawionymi w powyższym punkcie 4 instrukcji użycia. Różne numery katalogowe odnoszą się do odpowiedniego gniazda.

- OP-RM-1-EU (do stosowania w większości krajów Unii Europejskiej — gniazdo typu C)
- OP-RM-1-UK (do stosowania w Wielkiej Brytanii i innych krajach korzystających z gniazda typu G)
- OP-RM-1-AUS (do stosowania w Australii i innych krajach korzystających z gniazda typu I)

Pobieranie plików wideo/zdjęć po zabiegu

Pliki wideo oraz zdjęć można pobrać z urządzenia LiNA OperåScope™ za pośrednictwem portu USB modułu LiNA OperåScope™ Recording Module i zaimportować je do dokumentacji medycznej pacjentki. Ponieważ w plikach wideo/zdjęć nie ma żadnych informacji identyfikujących pacjentkę, pobrany plik należy wczytać do dokumentacji medycznej pacjentki i go w niej zapisać niezwłocznie po zabiegu, aby zagwarantować prawidłowe powiązanie pliku z pacjentką.

Odtwarzanie nagranych plików wideo/zdjęć na komputerze

Krok 1

Włożyć pamięć USB do portu USB komputera.

Krok 2

Pobrać i zainstalować oprogramowanie z uzupełniającymi kodekami dla programu Windows Media Player, na przykład Media Player Codec Pack.

Krok 3

Kliknąć opcję „Start” w systemie Windows i wybrać folder, w którym znajduje się plik MPEG 4, na przykład Wideo lub Pobrane.

Krok 4

Kliknąć prawym przyciskiem myszy plik wideo i wybrać opcję „Otwórz za pomocą”. Wybrać „Windows Media Player” spośród dostępnych opcji, aby rozpocząć odtwarzanie wideo/zdjęć.

Uwaga: moduł LiNA OperåScope™ Recording Module należy użytkować zgodnie z obowiązującymi lokalnie przepisami dotyczącymi odpadów elektronicznych.

Czyszczenie po zabiegu

Moduł LiNA OperåScope™ Recording Module jest przeznaczony do stosowania poza strefą sterylną i z dala od ciała pacjentki. Chociaż moduł LiNA OperåScope™ Recording Module nie powinien wchodzić w bezpośredni kontakt z ciałem pacjentki, urządzenie może być narażone na kontakt z płynami ustrojowymi i (lub) krwią, gdyż jest wykorzystywane na sali operacyjnej podczas leczenia pacjentki.

Po użyciu u każdej pacjentki należy postępować zgodnie z instrukcjami czyszczenia/dezynfekcji w celu zagwarantowania prawidłowego wyczyszczenia elementów zewnętrznych.

NIE ZANURZAĆ MODUŁU LiNA OPERÅSCOPE™ RECORDING MODULE W PŁYNACH.

PODCZAS CZYSZCZENIA/DEZYNFEKCIJ USTAWIĆ MODUŁ LiNA OPERÅSCOPE™ RECORDING MODULE W POZYCJI MINIMALIZUJĄCEJ RYZYKO KONTAKTU PŁYNU ZE ZŁĄCZAMI ZASILANIA, USB, ENDOSKOPIU I MONITORA.



LiNA OperåScope™

REF OP-201-6-I, OP-RM-1-UK, OP-RM-1-EU, OP-RM-1-AUS

NIE NALEŻY OTWIERAĆ OBUDOWY MODUŁU LiNA OPERÅSCOPE™ RECORDING MODULE NA POTRZEBY CZYSZCZENIA/DEZYNFEKCIJ.

OSTRZEŻENIE: NIE SĄ DOZWOLONE JAKIEKOLWIEK MODYFIKACJE URZĄDZENIA.

1. Wyłączyć zasilanie i odłączyć moduł LiNA OperåScope™ Recording Module.
2. Umieścić moduł LiNA OperåScope™ Recording Module oraz przewód zasilający na czystej i suchej powierzchni.
3. Za pomocą ściereczki czyszczącej/dezynfekującej dokładnie przetrzeć górną i dolną część oraz wszystkie 4 boki modułu LiNA OperåScope™ Recording Module.
4. Po przetarciu sprawdzić wzrokowo powierzchnię zewnętrzną pod kątem pozostałości płynów ustrojowych oraz zanieczyszczeń i powtórzyć przecieranie.
5. Pozostawić moduł LiNA OperåScope™ Recording Module na co najmniej 3 minuty.
6. Za pomocą gazika zwilżonego 70% alkoholem izopropylowym przetrzeć dokładnie łączenia modułu, upewniając się, że na module nie znajdują się płyny ustrojowe.
7. Po wzrokowym upewnieniu się, że moduł jest czysty, odłożyć urządzenie do przechowywania w celu wykorzystania w przyszłości.

7-letni okres eksploatacji baterii modułu LiNA OperåScope™ Recording Module:

Bateria modułu LiNA OperåScope™ Recording Module cechuje się 7-letnim okresem eksploatacji, liczoną od dnia produkcji, i zostanie wymieniona przed jego oczekiwanym upływem.

| | |
|--|--|
| Nominalne napięcie wejściowe: | 100–240 V AC ±10% |
| Nominalna częstotliwość wejściowa: | 50–60 Hz |
| Nominalne natężenie prądu wejściowego: | 0,16–0,08 Arms przy maksymalnym obciążeniu |
| Nominalne napięcie wyjściowe: | Uout: 9 V DC +5% / –5% |
| Nominalne natężenie prądu wyjściowego Iout: | 800 mA |
| Dostarczony adapter prądu przemiennego: | Friwo Fox 9 V DC/800 mA |

Informacje ogólne:

Warunki otoczenia podczas transportu i przechowywania:

| | |
|-------------------------|----------------------|
| Temperatura | od 0°C do + 55°C |
| Wilgotność powietrza | od 10% do 90% |
| Ciśnienie atmosferyczne | od 70 kPa do 106 kPa |

Warunki otoczenia podczas użytkowania:

| | |
|-------------------------|----------------------|
| Temperatura | od +10°C do +40°C |
| Wilgotność powietrza | od 35% do 75% |
| Ciśnienie atmosferyczne | od 70 kPa do 106 kPa |

Urządzenie LiNA OperåScope™ jest zgodne z normami dotyczącymi EMC: Medyczne urządzenia elektryczne — CZĘŚĆ 1-2: Wymagania ogólne dotyczące bezpieczeństwa podstawowego oraz działania zasadniczego.

- Uwagi: właściwości emisji tego urządzenia sprawiają, że jest ono odpowiednie do stosowania na terenach przemysłowych oraz w szpitalach/klinikach (CISPR 11, klasa A). Urządzenie nie jest przeznaczone do stosowania poza szpitalami i klinikami.
- Odporność zgodna ze środowiskiem placówki ochrony zdrowia.

Oprogramowanie typu open source wykorzystywane w module LiNA OperåScope™ Recording Module:

Poza innymi elementami produkt zawiera oprogramowanie typu open source, licencjonowane na podstawie licencji Open Source Software License i opracowywane przez inne firmy. Te pliki oprogramowania typu open source są chronione prawami autorskimi. Prawo użytkownika do korzystania z oprogramowania typu open source poza zwykłym uruchamianiem programu firmy LiNA Medical podlega odpowiednim warunkom określonym w licencji oprogramowania typu open source.

Przestrzeganie tych warunków licencji umożliwi użytkownikowi korzystanie z oprogramowania typu open source w sposób przewidziany w odpowiedniej licencji. W przypadku rozbieżności w warunkach licencji firmy LiNA Medical oraz licencji oprogramowania typu open source obowiązujące są warunki licencji oprogramowania typu open source w odniesieniu do elementów typu open source oprogramowania. Oprogramowanie typu open source jest licencjonowane na zasadzie wolnej od tantiem (tj. nie są pobierane żadne opłaty za korzystanie z praw przyznanych na podstawie licencji, natomiast mogą być pobierane opłaty w celu pokrycia kosztów poniesionych przez firmę LiNA Medical).



Lista programów typu open source zawartych w niniejszym produkcie oraz licencji oprogramowania typu open source są dostępne w tym dokumencie.

Jeśli programy zawarte w tym produkcie są licencjonowane na podstawie licencji GNU General Public License (GPL), GNU Lesser General Public License (LGPL) lub jakiegokolwiek innej licencji oprogramowania typu open source, która wymaga udostępnienia kodu źródłowego, i jeśli oprogramowanie nie zostało dostarczone wraz z urządzeniem w postaci kodu źródłowego, użytkownik może poprosić firmę LiNA Medical o przesłanie odpowiedniego kodu źródłowego, pokrywając opłatę w wysokości 5 euro za fizyczne przekazanie kopii. Taką prośbę należy przesłać w ciągu trzech lat od daty zakupu tego produktu wraz z nazwą i (lub) numerem identyfikacyjnym produktu pod następującą adres:

LiNA Medical
Formervangen 5
DK-2600 Glostrup
Denmark
www.lina-medical.com

Gwarancja dotycząca dalszego wykorzystania oprogramowania typu open source:

Firma LiNA Medical nie udziela żadnej gwarancji na oprogramowanie typu open source zawarte w tym urządzeniu, jeśli programy te są wykorzystywane w jakikolwiek inny sposób niż uruchomienie programu zamierzone przez firmę LiNA Medical. Wymienione poniżej licencje określają gwarancję, jeśli jest dostępna, udzielaną przez autorów lub licencjodawców oprogramowania typu open source. W szczególności firma LiNA Medical nie udziela żadnych gwarancji dotyczących usterek spowodowanych przez modyfikację oprogramowania typu open source lub konfiguracji produktu. Użytkownik nie może wnosić żadnych roszczeń gwarancyjnych przeciwko firmie LiNA Medical, jeśli oprogramowanie typu open source narusza prawa własności intelektualnej strony trzeciej. Wsparcie techniczne, jeśli będzie dostępne, będzie zapewniane jedynie w odniesieniu do niezmodyfikowanego oprogramowania.

Raportowanie:

Wszelkie poważne wypadki związane ze stosowaniem wyrobu należy zgłosić firmie LiNA Medical ApS oraz odpowiednim organom regulacyjnym w kraju stałego zamieszkania użytkownika i (lub) pacjenta. Oznakowanie WWCE 2020.

fr

UTILISATION PRÉVUE :

LiNA OperåScope™ pour l'hystérocopie :

Le LiNA OperåScope™ permet de visualiser le canal du col de l'utérus et la cavité utérine lors de procédures diagnostiques et thérapeutiques en gynécologie.

LiNA OperåScope™ pour la cystoscopie :

Le LiNA OperåScope™ permet de visualiser l'urètre féminin et la cavité de la vessie lors de procédures diagnostiques et thérapeutiques en cystoscopie.

TYPE DE PATIENT :

Patients adolescentes ou adultes pour lesquelles les procédures diagnostiques et thérapeutiques en gynécologie nécessitent la visualisation du canal du col de l'utérus et de la cavité utérine.

Patients adolescentes ou adultes pour lesquelles les procédures diagnostiques et thérapeutiques en cystoscopie nécessitent la visualisation de l'urètre et de la cavité de la vessie.

Le LiNA OperåScope™ peut permettre la visualisation notamment dans les types de procédures suivants :

- Hystérocopie :
 - Examen en cas de saignements anormaux, douleurs pelviennes, aménorrhée et résultats anormaux à l'hystérosalpingographie ;
 - Examen en cas d'infertilité et de grossesse improductive ;
 - Confirmation de présence d'un corps étranger dans l'utérus ;
 - Assistance à la localisation de fibromes et de polypes sous-muqueux à retirer ;
 - Assistance visuelle pour la biopsie guidée, la polypectomie, la myomectomie, la section transversale des adhérences et cloisons intra-utérines.
- Cystoscopie :
 - Le LiNA OperåScope™ permet de visualiser la vessie des patientes en voie d'abord mini-invasive, en accédant au site de diagnostic par les orifices naturels.
 - Il offre une assistance visuelle lors des procédures diagnostiques et thérapeutiques suivantes : examen en cas d'infections urinaires récurrentes, douleurs pelviennes, difficultés à uriner, incontinence urinaire, biopsie guidée, ablation de polypes et de calculs vésicaux, injections de toxine botulique (Botox, par exemple), insertion et/ou retrait de sonde JJ, inspection de la vessie et de l'urètre pour détecter d'éventuelles lésions et examen de la perméabilité de l'urètre.

DESCRIPTION DU PRODUIT :

Le LiNA OperåScope™ est un scope à usage unique alimenté par batterie muni d'une canule et d'un écran LCD, avec un câble HDMI de 3 m raccordé au manche. Le LiNA OperåScope™ est fourni stérile, il est stérilisé à l'oxyde d'éthylène et la batterie par irradiation.

La canule de 4,2 mm de diamètre (nominal) contient une caméra miniature et un éclairage LED à l'extrémité distale, et l'extrémité pré incurvée de cette canule pivote grâce à une molette (**Figure 7**) située sur le manche. Au centre de cette molette se trouve le canal d'insertion qui permet d'introduire des instruments/accessoires faisant jusqu'à 1,86 mm (5,5 Ch) de diamètre nominal et 310 mm de longueur utile minimale. Au bas du manche, des robinets avec raccords Luer lock d'entrée et de sortie distincts facilitent la distension et le rinçage de la cavité de l'utérus/la vessie avec un produit de distension. Le câble HDMI à la base du manche peut être connecté à un moniteur externe doté d'une entrée HDMI ou au LiNA OperåScope™ Recording Module pour enregistrer une vidéo ou des images sur une clé USB standard (vous devez disposer d'un espace de stockage suffisant sur la clé USB).

En cours d'utilisation, vous pouvez optimiser la visualisation en ajustant la luminosité (éclairage). Pour ce faire, utilisez le bouton de luminosité (**Figure 5**) situé sur le manche. Le réglage par défaut est à la luminosité maximale.

En plus du LiNA OperåScope™, le LiNA OperåScope™ Recording Module (**Figure 4**) permet de capturer des images fixes et vidéo à visionner ultérieurement. Le LiNA OperåScope™ Recording Module n'est pas fourni stérile, il est conçu pour être raccordé au câble HDMI du LiNA OperåScope™. Le LiNA OperåScope™ Recording Module ne doit pas entrer en contact avec le champ stérile ni avec le patient.

Le LiNA OperåScope™ et le Recording Module doivent être utilisés en conditions ambiantes, et stockés à température ambiante et au sec.



Conditions environnementales pendant le transport et le stockage :

| | |
|------------------------|--------------|
| Température | 0 à +55 °C |
| Humidité de l'air | 10 à 90 % |
| Pression atmosphérique | 70 à 106 kPa |

Conditions environnementales pendant l'utilisation :

| | |
|------------------------|--------------|
| Température | +10 à +40 °C |
| Humidité de l'air | 35 à 75 % |
| Pression atmosphérique | 70 à 106 kPa |

ACCESSOIRES :

Vous pouvez utiliser les accessoires suivants avec le LiNA OperâScope™ :

- LiNA OperâScope™ Recording Module
- Tubulure du commerce munie d'un raccord Luer lock mâle
- Instruments/accessoires à usage diagnostique/thérapeutique du commerce

CONTRE-INDICATIONS :

Le dispositif est contre-indiqué pour l'hystérocopie dans les cas suivants :

- Impossibilité de distendre l'utérus
- Sténose cervicale
- Infection au niveau du col/du vagin
- Saignement utérin ou règles
- Grossesse connue
- Cancer connu du col de l'utérus et/ou de l'utérus
- Perforation récente de l'utérus
- Maladie inflammatoire pelvienne (MIP) connue
- Contre-indication médicale ou intolérance à l'anesthésie

Le dispositif est contre-indiqué pour la cystoscopie dans les cas suivants :

- Maladie inflammatoire pelvienne (MIP) connue
- Infection urinaire aiguë/connue
- Grave coagulopathie

AVERTISSEMENTS :

Le non-respect de l'ensemble des consignes et avertissements ou précautions peut occasionner de graves lésions à la patiente.

- Le LiNA OperâScope™ est fourni STÉRILISÉ à l'oxyde d'éthylène (LiNA OperâScope™) et par irradiation (Batterie). Inspecter soigneusement l'emballage afin de détecter d'éventuels dommages avant emploi. NE PAS tenter d'utiliser le dispositif si la barrière stérile est endommagée. NE PAS utiliser au-delà de la date d'expiration. NE l'utilisez PAS s'il est exposé à des surfaces non stériles avant la procédure.
- Une intensité d'éclairage faible réglée au plus bas peut limiter la visualisation, ce n'est pas adapté aux interventions chirurgicales. Il incombe aux opérateurs du dispositif de s'assurer avant utilisation que la plage d'intensité lumineuse est bien adaptée à la procédure planifiée.
- Ne forcez pas l'introduction du LiNA OperâScope™ si vous sentez une résistance dans le corps de la patiente.
- Ne modifiez pas l'aspect de la canule distale.
- Exclusivement conçu pour un usage unique. NE PAS réutiliser, retraiter ou restériliser le LiNA OperâScope™. Tout reconditionnement peut compromettre les fonctions du dispositif. La réutilisation du dispositif à usage unique peut également augmenter le risque de contamination croisée. Si vous nettoyez le dispositif, vous vous exposez à un dysfonctionnement et/ou à un prélèvement d'échantillon pathologique erroné dû à la présence de tissus résiduels dans le LiNA OperâScope™.
- Ne pas retirer la batterie pendant le processus de traitement.
- Vous devez toujours avoir à portée de main un dispositif de secours à utiliser en cas d'urgence.
- Vous ne devez utiliser chaque LiNA OperâScope™ qu'avec les piles qui l'accompagnent ; celles-ci sont des piles alcalines AA Energizer insérées dans une batterie dédiée propre au LiNA OperâScope™.
- L'autonomie de la batterie du LiNA OperâScope™ est de 60 minutes.
- Si vous rencontrez un dysfonctionnement ou si la batterie s'épuise en cours d'utilisation, interrompez immédiatement la procédure, retirez lentement le LiNA OperâScope™ puis remplacez-le par un appareil LiNA OperâScope™ neuf.

- Vous ne devez pas utiliser d'appareils de communication RF portatifs (y compris des périphériques tels que des câbles d'antenne et des antennes externes) à moins de 30 cm (12 po) du LiNA OperâScope™ : en effet, cela risquerait de dégrader les performances du LiNA OperâScope™.
- L'utilisation d'accessoires, sondes et câbles autres que ceux spécifiés est susceptible d'altérer les propriétés électromagnétiques et entraîner un fonctionnement incorrect.
- L'utilisation du LiNA OperâScope™ à proximité immédiate d'un autre équipement doit être évitée, cela pourrait entraîner un fonctionnement incorrect. Si vous ne pouvez pas faire autrement, vous devez surveiller les deux équipements afin de vérifier qu'ils fonctionnent normalement.
- Ne plongez pas le manche du LiNA OperâScope™, sa batterie, son port HDMI et/ou son écran LCD dans un liquide. Le cas échéant, veillez à bien sécher le LiNA OperâScope™, puis assurez-vous qu'il est opérationnel pour un usage clinique. Si ce n'est pas le cas, remplacez-le par un appareil LiNA OperâScope™ neuf.
- Afin de limiter le risque de perforation, introduisez/manipulez le LiNA OperâScope™ en visualisant l'image de la caméra en direct avec l'éclairage.
- Seuls des professionnels de santé dûment formés à l'hystérocopie sont habilités à réaliser des procédures d'hystérocopie avec le LiNA OperâScope™.
- Seuls des professionnels de santé dûment formés à la cystoscopie sont habilités à réaliser des procédures de cystoscopie avec le LiNA OperâScope™.
- Utilisez un produit de distension liquide et surveillez attentivement l'entrée et la sortie du liquide. Pour toute instillation intra-utérine de plus de 1 litre, veillez à éviter l'accumulation excessive de liquide.

PRÉCAUTIONS :

Complications possibles d'ordre général avec le LiNA OperâScope™

Avant chaque utilisation ou après une modification des réglages du LiNA OperâScope™, assurez-vous que l'écran du LiNA OperâScope™ affiche une image en direct (et non une image enregistrée) et dans la bonne orientation.

Si vous n'effectuez pas un rinçage/une irrigation continu(e) pendant l'utilisation du LiNA OperâScope™, il se peut que la température de fonctionnement de l'extrémité distale dépasse 41 °C (105,8 °F).

Lorsque le LiNA OperâScope™ Recording Module est connecté au LiNA OperâScope™, veillez à ce que le bloc d'alimentation soit facilement accessible si un débranchement devenait nécessaire.

Veillez à éloigner le LiNA OperâScope™ Recording Module et le moniteur de la patiente.

Complications possibles d'une hystérocopie/cystoscopie à irrigation continue :

- Hyponatrémie
- Hypothermie
- Perforation utérine/faux passage occasionnant de possibles lésions aux intestins, à la vessie, aux vaisseaux sanguins majeurs, ainsi qu'à l'uretère
- Perforation de la vessie/faux passage occasionnant de possibles lésions aux intestins, à l'utérus, aux vaisseaux sanguins majeurs, ainsi qu'à l'uretère
- Œdème pulmonaire
- Œdème cérébral
- Infection
- Saignement
- Douleurs
- Malaise vagal
- Traumatisme de l'urètre (imputable à la cystoscopie)

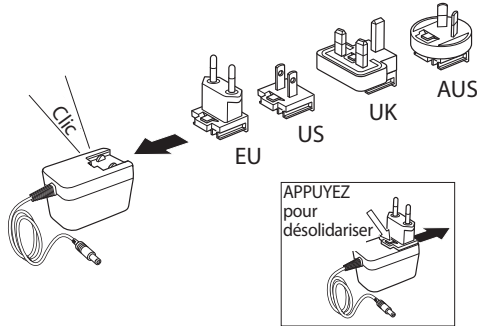
L'utilisation de solution physiologique comme produit de distension, et sans dépasser un volume de 1 000 ml, est recommandée pour limiter le risque des complications susmentionnées. La distension intra-utérine peut en général être obtenue avec une plage de pression de 35 à 75 mmHg. À moins que la pression artérielle systémique ne soit excessive, il est rarement nécessaire d'utiliser des pressions au-delà de 75 à 80 mmHg.

MODE D'EMPLOI :

Lisez le mode d'emploi avant d'utiliser le dispositif !

1. Inspectez soigneusement l'emballage afin de détecter d'éventuels dommages avant emploi. Ne tentez PAS d'utiliser le dispositif si la barrière stérile est rompue. Ne PAS utiliser au-delà de la date d'expiration.
2. En appliquant une technique stérile, sortez le LiNA OperâScope™ de son emballage stérilisé (**Figure 2**).
3. Raccordez la tubulure d'entrée de liquide au port d'entrée et la tubulure de sortie de liquide au port de sortie (**Figure 3**).

4. Vous pouvez raccorder le LiNA OperåScope™ à un moniteur externe ou au Recording Module à l'aide du câble HDMI.
Remarque : avant d'utiliser le LiNA OperåScope™ Recording Module, veillez à utiliser une fiche adaptée aux prises murales de votre région, puis branchez l'unité et assurez-vous que le témoin d'alimentation vert est bien allumé.



5. Sortez la batterie de son emballage stérilisé et insérez-la dans le manche du LiNA OperåScope™ (Figure 6).
6. L'éclairage à l'extrémité distale de la canule s'allume et l'image de la caméra apparaît sur l'écran LCD intégré. Si l'éclairage ou la caméra ne fonctionne pas, interrompez l'installation et utilisez un appareil LiNA OperåScope™ neuf (Figure 7).
7. Effectuez un rinçage de la canule jusqu'à éliminer toutes les bulles d'air de la tubulure (Figure 8).
8. Le LiNA OperåScope™ est à présent prêt à l'emploi.
9. La procédure standard d'introduction du LiNA OperåScope™ consiste à insérer la canule, sans cesser l'irrigation, dans le canal du col ou dans l'urètre (Figure 9).
10. Si vous voulez capturer une image ou enregistrer une vidéo, insérez une clé USB dans le LiNA OperåScope™ Recording Module et assurez-vous que le câble HDMI est connecté au LiNA OperåScope™. Le manche du LiNA OperåScope™ et le Recording Module sont tous deux munis de boutons d'image et de vidéo. Enfoncez puis relâchez le bouton d'image pour capturer une image fixe. Enfoncez puis relâchez le bouton de vidéo pour lancer l'enregistrement, enfoncez puis relâchez de nouveau pour arrêter l'enregistrement (Figure 5).
Remarque : lorsque le LiNA OperåScope™ Recording Module est en cours d'utilisation, la LED clignote en bleu.
11. Le LiNA OperåScope™ est muni d'une lumière centrale dans la molette située sur le manche (Figure 9), celle-ci permet d'introduire les instruments/accessoires de diagnostic et de soins dans la cavité de l'utérus ou de la vessie. Les instruments/accessoires ayant les dimensions suivantes sont compatibles avec la lumière centrale du LiNA OperåScope™ :
- Diamètre extérieur maximal : 1,86 mm (5,5 Ch)
 - Longueur utile minimale : 310 mm
12. Au terme de la procédure, retirez le LiNA OperåScope™ (Figure 10).
13. Retirez la batterie et mettez-la au rebut. Vous pouvez ensuite mettre le dispositif au rebut conformément à la réglementation locale (Figure 11).
14. Retirez la clé USB du LiNA OperåScope™ Recording Module, puis insérez-la dans le port USB d'un ordinateur pour transférer les enregistrements (Figure 12).

Spécifications techniques du LiNA OperåScope™

| | |
|----------------------------------|--|
| Tension d'entrée nominale : | 3 V CC ± 10 % |
| Courant nominal : | 330 mA ± 20 % |
| Type de batterie : | 2 piles alcalines AA 1,5 V Energizer (non rechargeables) |
| Durée de fonctionnement : | ≤ 60 minutes |
| Résolution de la caméra : | 400 × 400 pixels |
| Format de l'écran LCD : | 4,3 po |
| Longueur utile minimale : | 240 mm |
| Angle d'extrémité prédéterminé : | 20° ± 5° |

Durée de vie

La durée de vie du LiNA OperåScope™ est de 36 mois. Les unités de test ont été soumises à des conditions d'expédition simulées, conformément à la norme ASTM D4169, cycle 13, niveau d'assurance 1. Toutes les unités ont été inspectées puis soumises à un test de vérification de la conception et ont satisfait à tous les critères d'acceptation.

LiNA OPERÅSCOPE™ RECORDING MODULE :

L'alimentation électrique du LiNA OperåScope™ Recording Module est préparée comme indiqué dans la consigne numéro 4 du mode d'emploi. Les différents numéros de référence correspondent aux prises électriques locales.

- OP-RM-1-EU (dans la plupart des pays de l'UE – prise de type C)
- OP-RM-1-UK (au Royaume-Uni et dans d'autres pays utilisant des prises de type G)
- OP-RM-1-AUS (en Australie et dans d'autres pays utilisant des prises de type I)

Téléchargement de fichiers de vidéos/images fixes après la procédure

Vous pouvez télécharger des vidéos et des images fixes à partir du LiNA OperåScope™ grâce à une clé USB insérée dans le LiNA OperåScope™ Recording Module et les importer dans le dossier médical du patient. Dans la mesure où aucune information d'identification du patient n'apparaît sur le fichier de vidéos/d'images fixes, le fichier doit être téléchargé puis enregistré dans le dossier médical du patient immédiatement après la procédure, en veillant à bien faire correspondre le fichier et le patient.

Lecture de vidéos/d'images fixes enregistrées sur un ordinateur

Étape 1

Insérez la clé USB dans le port USB de l'ordinateur.

Étape 2

Téléchargez puis installez le logiciel de codec supplémentaire pour Windows Media Player, tel que Media Player Codec Pack.

Étape 3

Cliquez sur Démarrer sous Windows puis sélectionnez le dossier contenant votre fichier MPEG 4, par exemple Mes vidéos ou Mes téléchargements.

Étape 4

Faites un clic droit sur la vidéo et sélectionnez Ouvrir avec. Choisissez Windows Media Player parmi les options proposées pour lancer la lecture de la vidéo/des images.

Remarque : le LiNA OperåScope™ Recording Module est un déchet électronique, il doit être mis au rebut conformément à la réglementation locale.

Nettoyage après la procédure

Le LiNA OperåScope™ Recording Module doit être utilisé hors du champ stérile et à l'écart de la patiente. Même si le LiNA OperåScope™ Recording Module ne doit pas entrer en contact direct avec la patiente, il peut tout de même être exposé à des liquides organiques et/ou du sang, car il est utilisé dans le bloc opératoire pendant le traitement de la patiente.

Après chaque utilisation, appliquez les consignes de nettoyage/désinfection suivantes afin de nettoyer correctement les composants externes.



N'IMMERGEZ PAS LE LiNA OPERÅSCOPE™ RECORDING MODULE.

PENDANT LE NETTOYAGE/LA DÉSINFECTION, ORIENTEZ LE LiNA OPERÅSCOPE™ RECORDING MODULE DE FAÇON À LIMITER LA QUANTITÉ DE LIQUIDE AU CONTACT DES CONNECTEURS D'ALIMENTATION, USB, DU SCOPE ET DU MONITEUR.

VOUS NE DEVEZ PAS OUVRIR LE BOÎTIER DU LiNA OPERÅSCOPE™ RECORDING MODULE POUR LE NETTOYAGE/LA DÉSINFECTION.

AVERTISSEMENT : TOUTE MODIFICATION DE CET ÉQUIPEMENT EST STRICTEMENT INTERDITE.

1. Mettez le LiNA OperåScope™ Recording Module hors tension et débranchez-le.
2. Posez le LiNA OperåScope™ Recording Module et son cordon d'alimentation sur une surface propre et sèche.
3. Passez une lingette de nettoyage/désinfection sur la partie supérieure, la partie inférieure et les 4 côtés du LiNA OperåScope™ Recording Module.
4. Inspectez ensuite l'extérieur à l'œil nu pour détecter d'éventuels résidus de liquides organiques ou de saletés. Répétez l'essuyage si nécessaire.
5. Laissez le LiNA OperåScope™ Recording Module reposer au moins 3 minutes.
6. Passez un tampon d'alcool isopropylique à 70 % sur les jonctions du Module en vous assurant qu'il ne reste aucun liquide organique dessus.
7. Une fois le Module propre, stockez-le jusqu'à la prochaine utilisation.

Durée de vie de 7 ans pour la batterie du LiNA OperåScope™ Recording Module :

La batterie du LiNA OperåScope™ Recording Module a une durée de vie de 7 ans à compter de sa date de fabrication et doit être remplacée avant l'expiration de cette durée.



LiNA OperåScope™

REF OP-201-6-I, OP-RM-1-UK, OP-RM-1-EU, OP-RM-1-AUS

| | |
|---|--|
| Tension d'entrée nominale : | 100 à 240 V AC ± 10 % |
| Fréquence d'entrée nominale : | 50 à 60 Hz |
| Courant d'entrée nominal : | 0,16 à 0,08 A RMS à la charge maximale |
| Tension de sortie nominale : | Uout : 9 V CC + 5 %/- 5 % |
| Courant de sortie nominal tout : | 800 mA |
| Adaptateur CA fourni : | Friwo Fox 9 V CC/800 mA |

Informations générales :

Conditions environnementales pendant le transport et le stockage :

| | |
|------------------------|--------------|
| Température | 0 à +55 °C |
| Humidité de l'air | 10 à 90 % |
| Pression atmosphérique | 70 à 106 kPa |

Conditions environnementales pendant l'utilisation :

| | |
|------------------------|--------------|
| Température | +10 à +40 °C |
| Humidité de l'air | 35 à 75 % |
| Pression atmosphérique | 70 à 106 kPa |

Le LiNA OperåScope™ est conforme aux normes de CEM : appareils électromédicaux - PARTIE 1-2 : exigences générales pour la sécurité de base et les performances essentielles.

- Remarque : compte tenu de ses caractéristiques d'émissions, cet équipement peut être utilisé dans des zones industrielles et des hôpitaux/cliniques (CISPR 11 classe A). L'équipement ne convient pas à une utilisation en dehors d'un hôpital ou d'une clinique.
- Immunité conforme à l'environnement d'un établissement de soins de santé professionnel.

Logiciel Open Source utilisé dans le LiNA OperåScope™ Recording Module :

Le produit contient, entre autres, un logiciel Open Source sous licence logicielle Open Source et développé par des tiers. Les fichiers du logiciel Open Source sont protégés par un droit d'auteur. Votre droit d'utiliser le logiciel Open Source au-delà de l'exécution même du programme de LiNA Medical est régi par les conditions de la licence du logiciel Open Source.

Si vous respectez les conditions de cette licence, vous avez le droit d'utiliser le logiciel Open Source tel que défini dans la licence en question. En cas de conflit entre les conditions de la licence LiNA Medical et celles de la licence du logiciel Open Source, ce sont ces dernières qui prévalent par rapport aux parties du logiciel Open Source utilisé. Le logiciel Open Source est sous licence libre de droits (autrement dit il n'y a pas de frais facturés pour exercer les droits sous licence, mais il peut y en avoir pour le remboursement de frais encourus par LiNA Medical).

Une liste des programmes du logiciel Open Source que contient ce produit ainsi que des licences du logiciel Open Source sont disponibles dans le présent document.

Si les programmes que contient ce produit sont sous licence GPL, licence LGPL ou toute autre licence de logiciel Open Source, ce qui implique que le code source soit disponible et que ce logiciel ne soit pas déjà présent avec le code source dans le dispositif, vous pouvez demander le code source correspondant à LiNA Medical moyennant le paiement de 5 euros pour le transfert de copie physique. Veuillez adresser votre demande spécifique, dans les trois ans suivant la date d'achat de ce produit, en précisant votre nom et/ou l'identifiant du produit à :

LiNA Medical
Formervangen 5
DK-2600 Glostrup
Danemark
www.lina-medical.com

Garantie concernant une utilisation ultérieure du logiciel Open Source :

LiNA Medical ne fournit aucune garantie pour les programmes du logiciel Open Source que contient ce dispositif si ces programmes sont utilisés différemment de l'exécution de programme prévue par LiNA Medical. Les licences répertoriées ci-dessous définissent la garantie, le cas échéant, des auteurs ou des concédants du logiciel Open Source. LiNA Medical rejette expressément toute garantie en cas de défaillance due à la modification du programme du logiciel Open Source ou de la configuration du produit. Vous ne pouvez soumettre aucune réclamation sous garantie à LiNA Medical si le logiciel Open Source viole les droits de propriété intellectuelle d'un tiers. Le cas échéant, le support technique ne peut récupérer que des logiciels non modifiés.

Signalement :

Tout incident grave qui surviendrait dans le cadre de l'utilisation de ce dispositif devra être signalé à LiNA Medical ApS et aux autorités réglementaires compétentes du pays dans lequel se trouve l'utilisateur et/ou le patient. WWMarquage CE 2020.



LiNA OperåScope™

REF OP-201-6-I, OP-RM-1-UK, OP-RM-1-EU, OP-RM-1-AUS

it

USO PREVISTO:

LiNA OperåScope™ per isteroscopia:

Il dispositivo LiNA OperåScope™ è destinato all'utilizzo della visualizzazione del canale cervicale e della cavità uterina durante procedure ginecologiche di natura diagnostica e terapeutica.

LiNA OperåScope™ per cistoscopia:

Il dispositivo LiNA OperåScope™ è destinato all'utilizzo della visualizzazione dell'uretra femminile e della cavità vescicale durante procedure cistoscopiche di natura diagnostica e terapeutica.

POPOLAZIONE DI PAZIENTI:

Pazienti adolescenti o più anziane che devono sottoporsi a procedure ginecologiche di natura diagnostica e terapeutica che necessitano di visualizzazione del canale cervicale e della cavità uterina.

Pazienti adolescenti o più anziane che devono sottoporsi a procedure cistoscopiche di natura diagnostica e terapeutica che necessitano di visualizzazione dell'uretra e della cavità vescicale.

I tipi di procedure in cui è possibile utilizzare il dispositivo LiNA OperåScope™ per la visualizzazione includono:

- Isteroscopia:
 - Valutazione di sanguinamento anomalo, dolore pelvico, amenorrea e risultati anomali in seguito a isterosalpingografia.
 - Valutazione di infertilità e interruzione della gravidanza.
 - Conferma della presenza di corpi estranei intrauterini.
 - Assistenza nel rilevamento di polipi e fibromi sottomucosi che si intende rimuovere.
 - Assistenza viva durante biopsia diretta, polipectomia, miomectomia della sottomucosa, incisione di aderenze e setti intrauterini
- Cistoscopia:
 - Il dispositivo LiNA OperåScope™ permette la visualizzazione della vescica urinaria femminile tramite un approccio minimamente invasivo, utilizzando gli orifizi naturali per accedere al sito diagnostico.
 - Inoltre, offre una guida visiva durante le seguenti procedure diagnostiche e terapeutiche: valutazione di infezioni delle vie urinarie (UTI, Urinary Tract Infection), dolore pelvico, difficoltà minzionali, incontinenza urinaria, biopsia diretta, rimozione di polipi e calcoli vescicali, iniezioni di tossina botulinica (ad es. botox), inserimento e/o rimozione di stent urinari, ispezione della vescica e dell'uretra per individuare eventuali lesioni e valutazione della pervietà ureterale.

DESCRIZIONE DEL PRODOTTO:

Il dispositivo LiNA OperåScope™ è un endoscopio a batteria, monouso, dotato di cannula e display LCD con un cavo HDMI di 3 m collegato all'impugnatura. Il dispositivo LiNA OperåScope™ è fornito sterilizzato con ossido di etilene e con pacco batteria sterilizzato mediante radiazioni.

La cannula di diametro di 4,2 mm (nominale) contiene una videocamera in miniatura e una luce a LED sulla punta distale. Inoltre, una sezione della punta precurvata della cannula viene ruotata da una manopola rotante (**Figura 7**) situata sull'impugnatura. Il centro di tale manopola rotante è il canale di inserimento per l'introduzione di strumenti/accessori fino a 1,86 mm (5,5 Fr) di diametro nominale e 310 mm di lunghezza operativa minima. La distensione e l'irrigazione della cavità uterina/vescicale con mezzo di distensione sono facilitati da rubinetti di arresto luer-lock di afflusso e deflusso sulla parte inferiore dell'impugnatura. Il cavo HDMI sulla parte inferiore dell'impugnatura può essere collegato a un monitor esterno con ingresso HDMI o, in alternativa, collegato a LiNA OperåScope™ Recording Module per la registrazione di video o immagini su un'unità USB standard (è necessario che l'unità USB abbia memoria sufficiente per l'archiviazione).

Durante il funzionamento, la visualizzazione può essere ottimizzata mediante regolazione della luminosità (illuminazione). La luminosità è controllata dall'apposito pulsante (**Figura 5**) situato sull'impugnatura. L'impostazione predefinita è regolata alla massima luminosità.

Oltre al dispositivo LiNA OperåScope™, è disponibile LiNA OperåScope™ Recording Module (**Figura 4**) per acquisire immagini e video per una successiva visualizzazione. LiNA OperåScope™ Recording Module è fornito non sterile ed è realizzato per essere collegato al cavo HDMI del dispositivo LiNA OperåScope™. LiNA OperåScope™ Recording Module non è destinato a un contatto con il campo sterile o la paziente.

I dispositivi LiNA OperåScope™ e Recording Module devono essere utilizzati in condizioni ambientali e conservati a temperatura ambiente e in luoghi asciutti.





LiNA OperàScope™

REF OP-201-6-I, OP-RM-1-UK, OP-RM-1-EU, OP-RM-1-AUS

Condizioni ambientali durante il trasporto e la conservazione:

| | |
|-----------------------|---------------------|
| Temperatura | da 0 °C a + 55 °C |
| Umidità dell'aria | da 10% a 90% |
| Pressione atmosferica | da 70 kPa a 106 kPa |

Condizioni ambientali durante l'uso:

| | |
|-----------------------|---------------------|
| Temperatura | da +10 °C a +40 °C |
| Umidità dell'aria | da 35% a 75% |
| Pressione atmosferica | da 70 kPa a 106 kPa |

ACCESSORI:

Il dispositivo LiNA OperàScope™ può essere utilizzato con i seguenti accessori:

- LiNA OperàScope™ Recording Module.
- Tubo per la gestione di liquidi con luer-lock maschio disponibile in commercio.
- Strumenti/accessori per uso diagnostico/terapeutico disponibili in commercio.

CONTROINDICAZIONI:

Il dispositivo è controindicato per l'utilizzo isteroscopico nei seguenti casi:

- impossibilità di distendere l'utero,
- stenosi cervicale,
- infezione cervicale/vaginale,
- emorragia uterina o mestruazioni,
- gravidanza nota,
- carcinoma noto della cervice e/o dell'utero,
- recente perforazione uterina,
- malattia infiammatoria pelvica (MIP) nota,
- controindicazioni mediche o intolleranza all'anestesia.

Il dispositivo è controindicato per l'utilizzo cistoscopico nei seguenti casi:

- malattia infiammatoria pelvica (MIP) nota,
- infezioni delle vie urinarie acute/note,
- grave coagulopatia.

AVVERTENZE:

La mancata osservanza di tutte le istruzioni o di qualsiasi avvertenza o precauzione potrebbe causare gravi lesioni alla paziente.

- Il dispositivo LiNA OperàScope™ è fornito STERILIZZATO con ossido di etilene (LiNA OperàScope™) e sterilizzazione mediante radiazione (batteria). Prima dell'uso, ispezionare attentamente la confezione per individuare eventuali danni. NON tentare di utilizzare il dispositivo se la barriera sterile è danneggiata. NON utilizzare oltre la data di scadenza. NON utilizzare se il dispositivo è esposto a superfici non sterili prima della procedura.
- Una bassa intensità della luce all'impostazione minima disponibile potrebbe limitare la visualizzazione e non essere idonea per procedure chirurgiche. Gli operatori che utilizzano il dispositivo devono verificare che l'intervallo di intensità della luce sia idoneo alla procedura pianificata prima dell'uso.
- Non far avanzare il dispositivo LiNA OperàScope™ se si avverte resistenza nel corpo della paziente.
- Non tentare di alterare la forma della cannula distale.
- Esclusivamente monouso. NON riutilizzare, rigenerare o risterilizzare il dispositivo LiNA OperàScope™. Qualsiasi trattamento può impedire il funzionamento di questo dispositivo. Inoltre, il riutilizzo di dispositivi monouso potrebbe aumentare il rischio di contaminazione crociata. I tentativi di pulire il dispositivo comportano il rischio di malfunzionamento dello stesso e/o prelievo di campioni patologici errati a causa del tessuto residuo nel dispositivo LiNA OperàScope™.
- Non rimuovere la batteria durante la procedura di trattamento.
- Tenere sempre a disposizione un dispositivo di riserva immediatamente utilizzabile.
- Esclusivamente per uso con le batterie fornite con ciascun dispositivo LiNA OperàScope™. Le batterie sono identificate come batterie alcaline AA in un pacco batteria dedicato per il dispositivo LiNA OperàScope™.
- Il dispositivo LiNA OperàScope™ è realizzato per funzionare con un'autonomia della batteria di 60 minuti.
- In caso di malfunzionamento durante l'uso o di esaurimento della batteria, interrompere immediatamente la procedura ed estrarre lentamente il dispositivo LiNA OperàScope™ per sostituirlo con uno nuovo.
- Non è possibile utilizzare apparecchiature di comunicazione RF portatili (tra cui periferiche quali cavi dell'antenna e antenne esterne) nel raggio di 30 cm (12 pollici) del dispositivo LiNA OperàScope™, in quanto si rischia di compromettere le prestazioni del dispositivo LiNA OperàScope™.



LiNA OperàScope™

REF OP-201-6-I, OP-RM-1-UK, OP-RM-1-EU, OP-RM-1-AUS

- L'utilizzo di accessori, trasduttori e cavi diversi da quelli specificati potrebbe comportare una variazione delle proprietà elettromagnetiche e, di conseguenza, un funzionamento improprio.
- Evitare l'utilizzo del dispositivo LiNA OperàScope™ in prossimità di altre apparecchiature per impedire un funzionamento improprio. Se tale uso è necessario, questo dispositivo e l'altra apparecchiatura devono essere monitorati per verificare che funzionino correttamente.
- Evitare l'immersione in liquidi dell'impugnatura, della batteria, della porta HDMI e/o dello schermo LCD del dispositivo LiNA OperàScope™. Qualora il dispositivo OperàScope™ venga immerso in liquidi, assicurarsi che si asciughi e rimanga operativo prima dell'uso clinico. Se il dispositivo LiNA OperàScope™ non è operativo, sostituirlo con un nuovo dispositivo.
- Per ridurre il rischio di perforazione, far avanzare/manipolare il dispositivo LiNA OperàScope™ solo mentre si visualizza un'immagine della videocamera dal vivo e con l'illuminazione attiva.
- Le procedure di isteroscopia mediante l'uso del dispositivo LiNA OperàScope™ devono essere eseguite esclusivamente da personale medico con adeguata formazione in campo isteroscopico.
- Le procedure di cistoscopia mediante l'uso del dispositivo LiNA OperàScope™ devono essere eseguite esclusivamente da personale medico con adeguata formazione in campo cistoscopico.
- È necessario utilizzare un mezzo di distensione liquido e monitorare in maniera costante e rigorosa l'ingresso e l'uscita di liquidi. L'instillazione intrauterina superiore a 1 litro deve essere eseguita con la massima attenzione per ridurre il rischio di sovraccarico di liquidi.

PRECAUZIONI:

Potenziali complicanze generali con l'utilizzo del dispositivo LiNA OperàScope™

Prima di ogni utilizzo o dopo una modifica delle impostazioni del dispositivo LiNA OperàScope™, assicurarsi che la vista di LiNA OperàScope™ fornisca un'immagine in tempo reale (anziché archiviata) e che abbia l'orientamento dell'immagine corretto.

Se non si mantiene una costante irrigazione durante il funzionamento del dispositivo LiNA OperàScope™, la temperatura operativa della punta distale potrebbe superare i 41 °C (105,8 °F).

Mentre LiNA OperàScope™ Recording Module è collegato al dispositivo LiNA OperàScope™, assicurarsi che l'unità di alimentazione elettrica sia facilmente accessibile qualora debba essere scollegata.

Assicurarsi che LiNA OperàScope™ Recording Module e il monitor siano fuori dalla portata della paziente.

Potenziali complicanze di un'isteroscopia o cistoscopia con flusso continuo:

- iponatremia,
- ipotermia,
- perforazione uterina/passaggio errato con conseguenti lesioni all'intestino, alla vescica, ai principali vasi sanguigni e all'uretra,
- perforazione vescicale/passaggio errato con conseguenti lesioni all'intestino, all'utero, ai principali vasi sanguigni e all'uretra,
- edema polmonare,
- edema cerebrale,
- infezione,
- emorragia,
- dolore,
- episodi vasovagali,
- trauma uretrale (specifico della cistoscopia).

Si consiglia l'utilizzo di normale soluzione fisiologica come mezzo di distensione e la limitazione del volume infuso a meno di 1.000 ml per ridurre il rischio delle suddette complicanze. Generalmente, la distensione intrauterina può essere eseguita con pressioni nell'intervallo di 35-75 mmHg. Tranne nel caso in cui la pressione arteriosa sistemica sia eccessiva, raramente è necessario utilizzare pressioni superiori a 75-80 mmHg.

ISTRUZIONI PER L'USO:

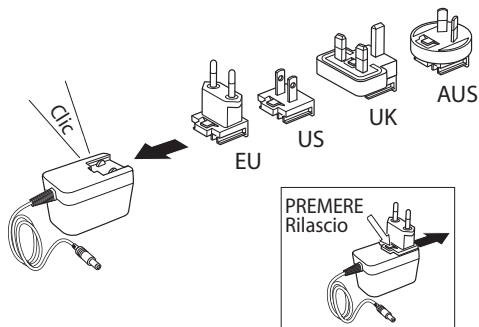
Leggere le istruzioni per l'uso prima di utilizzare questo dispositivo.

1. Ispezionare attentamente la confezione per individuare eventuali danni prima dell'uso. NON tentare di utilizzare il dispositivo se la barriera sterile è danneggiata. NON utilizzare oltre la data di scadenza.
2. Utilizzando una tecnica sterile, rimuovere il dispositivo LiNA OperàScope™ dal blister sterilizzato (**Figura 2**).
3. Collegare il tubo per liquidi di afflusso alla porta di afflusso e il tubo di deflusso alla porta di deflusso (**Figura 3**).



4. Il dispositivo LiNA OperàScope™ può essere collegato tramite cavo HDMI a un monitor esterno o a Recording Module.

Nota: prima di utilizzare LiNA OperàScope™ Recording Module, assicurarsi di fissare la spina adatta per le prese a parete locali in modo che l'unità sia collegata e la spia di alimentazione verde si illumina.



5. Rimuovere la batteria dal blister sterilizzato e inserirla nell'impugnatura del dispositivo LiNA OperàScope™ (**Figura 6**).
6. La sorgente luminosa sulla punta distale della cannula si illumina e l'immagine della videocamera dovrebbe essere visibile sullo schermo LCD integrato. Se la luce o l'immagine della videocamera non è operativa, interrompere l'impostazione e aprire un nuovo dispositivo LiNA OperàScope™ (**Figura 7**).
7. Immettere il liquido attraverso la cannula finché tutte le bolle d'aria non fuoriescono dal tubo (**Figura 8**).
8. Il dispositivo LiNA OperàScope™ è ora pronto per l'uso.
9. Con il liquido all'interno, la cannula viene inserita attraverso il canale cervicale o l'uretra mentre si visualizza l'immagine, come da procedura standard per l'introduzione del dispositivo LiNA OperàScope™ (**Figura 9**).
10. Se si desidera salvare un'immagine o registrare un video, inserire una memoria USB nel dispositivo LiNA OperàScope™ Recording Module e assicurarsi che il cavo HDMI sia collegato a LiNA OperàScope™. L'impugnatura del dispositivo LiNA OperàScope™ e Recording Module dispone di pulsanti di acquisizione immagini e video. Premere e rilasciare il pulsante delle immagini per acquisire un'immagine fissa. Premere e rilasciare il pulsante del video per avviare la registrazione e premerlo e rilasciarlo nuovamente per interromperla (**Figura 5**).
Nota: quando il dispositivo LiNA OperàScope™ Recording Module è occupato, il LED lampeggia in blu.
11. Il dispositivo LiNA OperàScope™ è munito di un lume centrale situato all'interno della manopola rotante dell'impugnatura (**Figura 9**) e fornisce un condotto per introdurre strumenti/accessori diagnostici e terapeutici nella cavità uterina o vescicale. Gli strumenti/accessori che rientrano nelle seguenti dimensioni sono compatibili con il lume centrale LiNA OperàScope™:
- Diametro esterno massimo: 1,86 mm (5,5 Fr)
 - Lunghezza utilizzabile minima: 310 mm
12. Al completamento della procedura, rimuovere il dispositivo LiNA OperàScope™ (**Figura 10**).
13. Rimuovere il pacco batterie e smaltire la batteria. Ora il dispositivo può essere smaltito in conformità alle normative locali vigenti (**Figura 11**).
14. Rimuovere l'unità USB dal dispositivo LiNA OperàScope™ Recording Module e trasferire le registrazioni su un computer utilizzando una porta USB (**Figura 12**).

Specifiche tecniche del dispositivo LiNA OperàScope™

| | |
|---------------------------------------|---|
| Tensione nominale di ingresso: | 3 V CC ± 10% |
| Corrente nominale: | 330 mA ± 20% |
| Tipo di batteria: | 2 batterie alcaline AA 1,5 V (non ricaricabili) |
| Tempo operativo: | ≤ 60 minuti |
| Risoluzione della videocamera: | 400 x 400 pixel |
| Dimensioni diagonali del display LCD: | 4,3 pollici |
| Lunghezza utilizzabile minima: | 240 mm |
| Angolo della punta prefissata: | 20° ± 5° |

Durata utile

La durata utile del dispositivo LiNA OperàScope™ è 36 mesi. Le unità di prova sono state quindi sottoposte a condizioni di spedizione simulate in base allo standard ASTM D4169, Ciclo 13, livello di assicurazione 1. Tutte le unità sono state ispezionate e sottoposte a verifica della struttura e sono stati soddisfatti tutti i criteri di accettazione.

LiNA OPERÀSCOPE™ RECORDING MODULE:

L'unità di alimentazione del dispositivo LiNA OperàScope™ Recording Module è preparata in conformità al precedente punto 4 delle Istruzioni per l'uso. I numeri di rif. diversi si riferiscono alla presa pertinente.

- OP-RM-1-EU (per l'uso nella maggior parte dei Paesi UE, presa di tipo C)
- OP-RM-1-UK (per l'uso nel Regno Unito e in altri Paesi che utilizzano prese di tipo G)
- OP-RM-1-AUS (per l'uso in Australia e in altri Paesi che utilizzano prese di tipo I)

Download di file video/immagini post-procedura

I video e le immagini possono essere scaricati dal dispositivo LiNA OperàScope™ tramite USB LiNA OperàScope™ Recording Module e importati nella cartella clinica della paziente. Poiché non vi sono informazioni che identificano la paziente sul file video/immagine, il file scaricato deve essere caricato e salvato nella cartella clinica della paziente subito dopo la procedura, assicurandosi di collegare correttamente il file alla paziente.

Riproduzione di video/immagini salvate sul computer

Fase 1

Inserire l'unità USB nella porta USB del computer.

Fase 2

Scaricare e installare alcuni software codec supplementari per Windows Media Player quali Media Player Codec Pack.

Fase 3

Fare clic su "Start" in Windows e selezionare la cartella in cui si trova il file MPEG 4, come Video o Download.

Fase 4

Fare clic con il pulsante destro del mouse sul video e selezionare "Apri con". Scegliere "Windows Media Player" dalle opzioni disponibili per iniziare a riprodurre i video/le immagini.

Nota: il dispositivo LiNA OperàScope™ Recording Module deve essere smaltito in conformità alle normative locali in quanto rifiuto elettronico.

Pulizia post-procedura

Il dispositivo LiNA OperàScope™ Recording Module è destinato all'utilizzo all'esterno del campo sterile e lontano dalla paziente. Sebbene il dispositivo LiNA OperàScope™ Recording Module non sia destinato a entrare in contatto diretto con la paziente, può essere esposto a liquidi corporei e/o sangue, in quanto viene utilizzato in sala operatoria durante il trattamento della paziente.

Dopo l'utilizzo su ogni paziente, attenersi alle seguenti istruzioni di pulizia/disinfezione per assicurare un'adeguata pulizia dei componenti esterni.



NON IMMERGERE IN LIQUIDI IL DISPOSITIVO LiNA OPERÀSCOPE™ RECORDING MODULE.

DURANTE LA PULIZIA/DISINFEZIONE, ORIENTARE LA POSIZIONE DEL DISPOSITIVO LiNA OPERÀSCOPE™ RECORDING MODULE PER RIDURRE AL MINIMO IL CONTATTO DEI LIQUIDI CON L'ALIMENTATORE, L'UNITÀ USB, L'ENDOSCOPIO E I CONNETTORI DEL MONITOR.

L'ALLOGGIAMENTO DEL DISPOSITIVO LiNA OPERÀSCOPE™ RECORDING MODULE NON DEVE ESSERE APERTO PER LA PULIZIA/DISINFEZIONE.

AVVERTENZA: NON SONO CONSENTITE MODIFICHE DI ALCUN TIPO ALL'APPARECCHIATURA.

1. Spegnerne e scollegare l'alimentazione al dispositivo LiNA OperàScope™ Recording Module.
2. Posizionare il dispositivo LiNA OperàScope™ Recording Module e il cavo di alimentazione su una superficie asciutta e pulita.
3. Utilizzando un panno per pulizia/disinfezione, pulire completamente la parte superiore, quella inferiore e tutti i 4 lati del dispositivo LiNA OperàScope™ Recording Module.
4. Dopo la pulizia con il panno, ispezionare visivamente l'esterno per individuare eventuali residui di liquidi corporei o sporcizia e ripetere l'operazione.
5. Non utilizzare il dispositivo LiNA OperàScope™ Recording Module per almeno 3 minuti.
6. Utilizzando un tampone imbevuto di alcol isopropilico al 70%, strofinare accuratamente le giunzioni del modulo assicurandosi che sia privo di liquidi corporei.
7. Quando il modulo è visibilmente pulito, posizionare il dispositivo in un'area di stoccaggio per utilizzo futuro.

Durata della batteria del dispositivo LiNA OperàScope™ Recording Module pari a 7 anni:

La batteria del dispositivo LiNA OperàScope™ Recording Module ha una durata operativa di 7 anni dalla data di produzione e viene sostituita prima della data di scadenza prevista.

Tensione nominale di ingresso: 100-240 V CA ± 10%

Frequenza nominale di ingresso: 50-60 Hz



LiNA OperåScope™

REF OP-201-6-I, OP-RM-1-UK, OP-RM-1-EU, OP-RM-1-AUS

Corrente nominale di ingresso: 0,16-0,08 Arms a carico massimo
Tensione nominale di uscita: Uout: 9 V CC +5%/-5%
Corrente nominale di uscita Iout: 800 mA
Adattatore CA fornito: Friwo Fox 9 V DC/800 mA

Informazioni generali:

Condizioni ambientali durante il trasporto e la conservazione:

Temperatura da 0 °C a + 55 °C
Umidità dell'aria da 10% a 90%
Pressione atmosferica da 70 kPa a 106 kPa

Condizioni ambientali durante l'uso:

Temperatura da +10 °C a +40 °C
Umidità dell'aria da 35% a 75%
Pressione atmosferica da 70 kPa a 106 kPa

Il dispositivo LiNA OperåScope™ è conforme agli standard sulla compatibilità elettromagnetica: Apparecchiature elettromedicali, PARTE 1-2: Requisiti generali per la sicurezza di base e per le prestazioni essenziali.

- Nota: le caratteristiche di emissione dell'apparecchiatura la rendono idonea all'uso in aree industriali e in ospedali/cliniche (CISPR 11 Classe A). L'apparecchiatura non è adatta all'uso al di fuori di ospedali o ambienti clinici.
- Immunità conforme all'ambiente della struttura sanitaria professionale.

Software open source utilizzato nel dispositivo LiNA OperåScope™ Recording Module:

Il prodotto contiene, tra l'altro, un software open source, concesso con una licenza software open source e sviluppato da terze parti. Questi file del software open source sono protetti da copyright. I diritti dell'utente sull'utilizzo del software open source oltre alla mera esecuzione del programma LiNA Medicals, sono regolati dalle condizioni di licenza del software open source pertinenti.

La conformità dell'utente a tali condizioni di licenza gli concede l'utilizzo del software open source come previsto dalla relativa licenza. In caso di conflitto tra le condizioni della licenza di LiNA Medical e quelle della licenza del software open source, queste ultime prevalgono rispetto alle parti del software open source. Il software open source è concesso in licenza privo di royalty (ossia, non vi sono costi per l'utilizzo dei diritti di licenza, mentre potrebbero essere addebitate delle spese per il rimborso dei costi sostenuti da LiNA Medical).

Un elenco dei programmi open source contenuti in questo prodotto e delle licenze del software open source è disponibile nel presente documento.

Se i programmi contenuti in questo prodotto sono concessi in licenza in base a GNU General Public License (GPL), GNU Lesser General Public License (LGPL) o qualsiasi altra licenza di software open source, che richiede la disponibilità del codice sorgente e che il software non sia già fornito in forma di codice sorgente insieme al dispositivo, è possibile richiedere il codice sorgente corrispondente a LiNA Medical corrispondendo la quota di 5 euro per l'azione fisica di trasferimento della copia. Inviare la propria richiesta specifica entro tre anni dall'acquisto del prodotto, insieme a nome e/o ID del prodotto a:

LiNA Medical
Formervangen 5
DK-2600 Glostrup
Danimarca
www.lina-medical.com

Garanzia relativa a un ulteriore utilizzo del software open source:

LiNA Medical non fornisce alcuna garanzia per i programmi open source contenuti nel presente dispositivo, se tali programmi sono utilizzati in qualsiasi altra maniera diversa dall'esecuzione del programma prevista da LiNA Medical. Le licenze elencate di seguito definiscono la garanzia, se disponibile, degli autori o concessionari di licenza del software open source. LiNA Medical declina specificamente qualsiasi garanzia per difetti causati dall'alterazione di qualsiasi programma open source o dalla configurazione del prodotto. Sono escluse pretese di garanzia nei confronti di LiNA Medical qualora il software open source violi i diritti di proprietà intellettuale di terze parti. L'assistenza tecnica, se disponibile, sarà fornita esclusivamente per software non sottoposti a modifiche.

Segnalazioni:

Qualsiasi incidente grave verificatosi in relazione al dispositivo deve essere segnalato a LiNA Medical ApS e alle autorità competenti del Paese in cui l'utente e/o il paziente risiede. Marchio WWCE 2020.



LiNA OperåScope™

REF OP-201-6-I, OP-RM-1-UK, OP-RM-1-EU, OP-RM-1-AUS

es

USO PREVISTO:

LiNA OperåScope™ para histeroscopia:

LiNA OperåScope™ está diseñado para visualizar el canal cervical y la cavidad uterina durante procedimientos ginecológicos diagnósticos y terapéuticos.

LiNA OperåScope™ para cistoscopia:

LiNA OperåScope™ está diseñado para visualizar la uretra femenina y la cavidad de la vejiga durante procedimientos cistoscópicos diagnósticos y terapéuticos.

POBLACIÓN DE PACIENTES:

Pacientes adolescentes o mayores con procedimientos ginecológicos diagnósticos y terapéuticos que exigen visualizar el canal cervical y la cavidad uterina.

Pacientes adolescentes o mujeres mayores con procedimientos cistoscópicos diagnósticos y terapéuticos que exigen visualizar la uretra y la cavidad de la vejiga.

Los tipos de procedimientos en los que LiNA OperåScope™ podría facilitar la visualización incluyen los siguientes:

- Histeroscopia:
 - Evaluación de sangrado anormal, dolor pélvico, amenorrea y hallazgos anormales de histerosalpingografía;
 - Evaluación de la infertilidad y pérdidas de embarazos;
 - Confirmación de la presencia de un cuerpo extraño intrauterino;
 - Ayudar a localizar fibromas y pólipos submucosos que se van a extirpar;
 - Proporcionar orientación visual durante la biopsia dirigida, la polipectomía, la miomectomía submucosa, la transección de adherencias intrauterinas y los septos.
- Cistoscopia:
 - LiNA OperåScope™ permite la visualización de la vejiga urinaria femenina a través de un enfoque mínimamente invasivo utilizando orificios naturales para acceder al lugar de diagnóstico.
 - Además, proporciona orientación visual durante los siguientes procedimientos diagnósticos y terapéuticos: evaluación de infecciones del tracto urinario (ITU) recurrentes, dolor pélvico, dificultades para orinar, incontinencia urinaria, biopsia dirigida, extirpación de pólipos y cálculos vesicales, inyecciones de toxina botulínica (p. ej. Botox), inserción o extracción de stents urinarios, inspección de la vejiga y la uretra para detectar lesiones y evaluación de la permeabilidad ureteral.

DESCRIPCIÓN DEL PRODUCTO:

LiNA OperåScope™ es un visor de un solo uso que funciona con pilas, con una cánula y una pantalla LCD con un cable HDMI de 3 m conectado al mango. LiNA OperåScope™ se suministra estéril mediante óxido de etileno y el paquete de pilas se suministra estéril mediante radiación.

La cánula de 4,2 mm de diámetro (nominal) contiene una cámara en miniatura y una iluminación LED en la punta distal, así como una sección de punta precurvada de la cánula que se gira mediante un botón giratorio (**Figura 7**) en el mango. El centro de este botón giratorio es el canal de inserción para introducir instrumentos/accesorios de hasta 1,86 mm (5,5 Fr) de diámetro nominal y una longitud de trabajo mínima de 310 mm. La distensión y el lavado de la cavidad uterina/vaginal se ven facilitadas con el medio de distensión con llaves de paso separadas de entrada y salida Luer Lock en la parte inferior del mango. El cable HDMI situado en la parte inferior del mango puede conectarse a un monitor externo con entrada HDMI o, alternativamente, al LiNA OperåScope™ Recording Module para grabar vídeo o imágenes en una unidad USB estándar (tenga en cuenta que dispone de capacidad de almacenamiento libre en la unidad USB).

Durante el funcionamiento, puede optimizar la visualización ajustando el brillo (iluminación). El brillo se controla mediante el botón de brillo (**Figura 5**) situado en el mango. La configuración predeterminada está en luminosidad al máximo.

Además de LiNA OperåScope™, también tiene disponible LiNA OperåScope™ Recording Module (**Figura 4**) para capturar imágenes fijas y de vídeo y poder visualizarlas posteriormente. LiNA OperåScope™ Recording Module no es estéril y está diseñado para conectarse al cable HDMI de LiNA OperåScope™. LiNA OperåScope™ Recording Module no está diseñado para entrar en contacto con el campo estéril ni con el paciente.

LiNA OperåScope™ y el módulo de grabación deben utilizarse en condiciones ambientales y almacenarse a temperatura ambiente y en condiciones secas.



LiNA OperåScope™

REF OP-201-6-I, OP-RM-1-UK, OP-RM-1-EU, OP-RM-1-AUS

Condiciones ambientales durante el transporte y el almacenamiento:

| | |
|---------------------|---------------------|
| Temperatura | De 0 °C a + 55 °C |
| Humedad del aire | Del 10 % al 90 % |
| Presión atmosférica | De 70 kPa a 106 kPa |

Condiciones ambientales durante el uso:

| | |
|---------------------|---------------------|
| Temperatura | De +10 °C a +40 °C |
| Humedad del aire | Del 35 % al 75 % |
| Presión atmosférica | De 70 kPa a 106 kPa |

ACCESORIOS:

Con LiNA OperåScope™ se pueden utilizar los siguientes accesorios:

- LiNA OperåScope™ Recording Module
- Tubos para el manejo de fluidos disponibles en el mercado con un Luer Lock macho
- Instrumentos/accesorios disponibles en el mercado para uso diagnóstico/terapéutico

CONTRAINDICACIONES:

El aparato está contraindicado para el uso de histeroscopia en los siguientes casos:

- Incapacidad para distender el útero,
- Estenosis cervical,
- Infección cervical/vaginal,
- Sangrado uterino o menstruación,
- Embarazo conocido,
- Carcinoma conocido del cuello uterino o del útero,
- Perforación uterina reciente,
- Enfermedad inflamatoria pélvica (EIP) conocida,
- Contraindicación médica o intolerancia a la anestesia.

El aparato está contraindicado para el uso de cistoscopia en los siguientes casos:

- Enfermedad inflamatoria pélvica (EIP) conocida,
- Infecciones agudas/conocidas del tracto urinario,
- Coagulopatía severa.

ADVERTENCIAS:

Si no se siguen todas las instrucciones, advertencias o precauciones, el paciente puede sufrir lesiones graves.

- LiNA OperåScope™ se suministra ESTÉRIL mediante óxido de etileno (LiNA OperåScope™) y esterilización por radiación (pilas). Inspeccione detenidamente el embalaje para detectar cualquier daño antes de su uso. NO intente utilizar el dispositivo si la barrera estéril está dañada. NO lo use una vez pasada la fecha de caducidad. NO lo utilice si el dispositivo está expuesto a superficies no estériles antes del procedimiento.
- La baja intensidad de la luz en el ajuste más bajo disponible puede limitar la visualización y resultar inadecuada para los procedimientos quirúrgicos. Los operadores del dispositivo deben verificar que el rango de intensidad de la luz sea adecuado para el procedimiento planeado antes de su uso.
- No siga introduciendo LiNA OperåScope™ en caso de experimentar resistencia mientras se encuentre dentro del paciente.
- No intente alterar la forma de la cánula distal.
- Para un solo uso. NO reutilice, reprocese ni esterilice de nuevo LiNA OperåScope™. Cualquier procesamiento adicional puede impedir el funcionamiento de este dispositivo. La reutilización de dispositivos de un solo uso también puede aumentar el riesgo de contaminación cruzada. Si se intenta limpiar el dispositivo se corre el riesgo de que el dispositivo funcione mal o de que se recoja una muestra de patología errónea debido a la presencia de tejido residual en LiNA OperåScope™.
- No retire la batería durante el proceso de tratamiento.
- Siempre tenga un dispositivo de respaldo disponible para su uso inmediato.
- Debe utilizarse únicamente con las pilas suministradas con cada dispositivo LiNA OperåScope™; las pilas se identifican como pilas alcalinas AA Energizer en un paquete de pilas específico para LiNA OperåScope™.
- LiNA OperåScope™ está diseñado para que la vida útil de las pilas dure 60 minutos.
- Si se produjera algún fallo durante el uso o se agotan las pilas, detenga el procedimiento inmediatamente, retire lentamente LiNA OperåScope™ y reemplácelo por uno nuevo.
- Los equipos de comunicación RF portátiles (incluidos los periféricos como los cables de antena y las antenas externas) no deben utilizarse a menos de 30 cm (12 pulgadas) de LiNA OperåScope™, ya que podría producirse una degradación del rendimiento de LiNA OperåScope™.



LiNA OperåScope™

REF OP-201-6-I, OP-RM-1-UK, OP-RM-1-EU, OP-RM-1-AUS

- El uso de accesorios, transductores y cables distintos de los especificados podría provocar un cambio en las propiedades electromagnéticas y provocar un funcionamiento incorrecto.
- Debe evitarse el uso del equipo LiNA OperåScope™ adyacente a otros equipos, ya que podría interrumpir su buen funcionamiento. Si es necesario, deberá observar este y los demás equipos para verificar que funcionan con normalidad.
- Evite sumergir el mango, las pilas, el puerto HDMI o la pantalla LCD de LiNA OperåScope™ en fluidos. En caso de que se sumerja LiNA OperåScope™, asegúrese de que LiNA OperåScope™ esté seco y siga funcionando antes de su uso clínico. Si LiNA OperåScope™ no funciona, reemplácelo por uno nuevo.
- Para mitigar el riesgo de perforación, haga avanzar/manipule únicamente el LiNA OperåScope™ mientras visualiza una imagen de la cámara en vivo bien iluminada.
- Los procedimientos de histeroscopia utilizando LiNA OperåScope™ deben llevarlos a cabo únicamente profesionales médicos que tengan la formación adecuada en histeroscopia.
- Los procedimientos de cistoscopia utilizando LiNA OperåScope™ deben llevarlos a cabo únicamente profesionales médicos que tengan la formación adecuada en cistoscopia.
- Se debe utilizar un medio de distensión líquido y mantener una estricta vigilancia de la entrada y salida de líquidos. La instilación intrauterina que exceda 1 litro debe vigilarse con mucho cuidado para reducir la posibilidad de sobrecarga de líquido.

PRECAUCIONES:

Posibles complicaciones generales con el uso de LiNA OperåScope™

Antes de cada uso o después de un cambio en la configuración de LiNA OperåScope™, compruebe que la vista de LiNA OperåScope™ proporciona una imagen en vivo (en lugar de una almacenada) y tiene la orientación correcta de la imagen.

Si no se mantiene una irrigación continuada durante el funcionamiento de LiNA OperåScope™, la temperatura de funcionamiento de la punta distal puede superar los 41 °C (105,8 °F).

Mientras LiNA OperåScope™ Recording Module esté conectado a LiNA OperåScope™, asegúrese de que se pueda acceder fácilmente a la fuente de alimentación en caso de que sea necesario desconectar la alimentación.

Asegúrese de que LiNA OperåScope™ Recording Module y el monitor están fuera del alcance del paciente.

Posibles complicaciones de la histeroscopia/cistoscopia de flujo continuo:

- Hiponatremia,
- Hipotermia,
- Perforación uterina/falsa vía que resulta en una posible lesión al intestino, vejiga, vasos sanguíneos mayores y uréter,
- Perforación de la vejiga/falsa vía que resulta en una posible lesión al intestino, útero, vasos sanguíneos mayores y uréter,
- Edema pulmonar,
- Edema cerebral,
- Infección,
- Sangrado,
- Dolor,
- Episodios vasovagales,
- Traumatismo uretral (específico para cistoscopia).

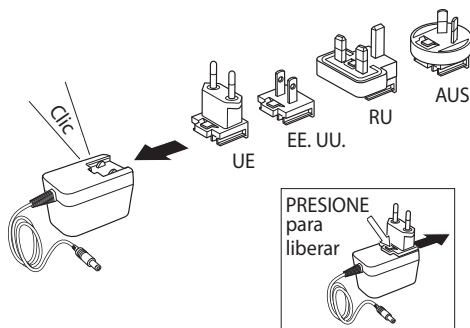
Se recomienda el uso de una solución salina normal como medio de distensión y limitar el volumen de infusión a menos de 1000 ml para disminuir el riesgo de las complicaciones mencionadas anteriormente. La distensión intrauterina generalmente se puede lograr con presiones en el rango de 35 a 75 mmHg. A menos que la presión arterial sistémica sea excesiva, son raras las veces en las que es necesario utilizar presiones superiores a 75-80 mmHg.

INSTRUCCIONES DE USO:

Lea las instrucciones de uso antes de utilizar este dispositivo.

1. Inspeccione cuidadosamente el embalaje para detectar cualquier daño antes de su uso. NO intente utilizar el dispositivo si la barrera estéril está dañada. NO lo use una vez pasada la fecha de caducidad.
2. Utilizando la técnica estéril, retire LiNA OperåScope™ del envase esterilizado (**Figura 2**).
3. Conecte el tubo de fluido de entrada al puerto de entrada y el tubo de salida al puerto de salida (**Figura 3**).
4. LiNA OperåScope™ se puede conectar mediante un cable HDMI a un monitor externo o al módulo de grabación. Nota: Antes de utilizar LiNA OperåScope™ Recording Module, asegúrese de enchufarlo a la toma de corriente y de que la unidad esté enchufada con la luz verde de alimentación encendida.





- Retire las pilas del envase esterilizado e introdúzcalas en el mango de LiNA OperâScope™ (**Figura 6**).
- La fuente de luz en la punta distal de la cánula se iluminará y la imagen de la cámara deberá verse en la pantalla LCD incorporada. Si la iluminación o la imagen de la cámara no funcionan, interrumpa la configuración y abra un nuevo dispositivo LiNA OperâScope™ (**Figura 7**).
- Deje fluir el líquido a través de la cánula hasta que todas las burbujas de aire se hayan eliminado del tubo (**Figura 8**).
- LiNA OperâScope™ ya está listo para su uso.
- Con el líquido fluyendo, la cánula se inserta a través del canal cervical o la uretra mientras se visualiza la imagen, siguiendo el procedimiento estándar para la introducción de LiNA OperâScope™ (**Figura 9**).
- Si desea grabar imágenes o vídeos, inserte una memoria USB en LiNA OperâScope™ Recording Module y asegúrese de que el cable HDMI esté conectado desde LiNA OperâScope™. Tanto el mango de LiNA OperâScope™ como el módulo de grabación tienen botones de captura de imágenes y vídeo. Pulse y suelte el botón de la imagen para capturar una imagen fija. Pulse y suelte el botón de vídeo para iniciar la grabación; pulse y suelte de nuevo el botón de vídeo para detener la grabación (**Figura 5**).
Nota: Cuando LiNA OperâScope™ Recording Module está ocupado, el LED parpadea en azul.
- LiNA OperâScope™ tiene un lumen central ubicado dentro del botón giratorio del mango (**Figura 9**) y proporciona un conducto para el acceso de instrumentos/accesorios de diagnóstico y terapéuticos a la cavidad uterina o vesical. Los instrumentos/accesorios de las siguientes dimensiones son compatibles con el lumen central LiNA OperâScope™:
 - Diámetro exterior máximo: 1,86 mm (5,5 Fr)
 - Longitud mínima útil: 310 mm
- Una vez finalizado el procedimiento, retire LiNA OperâScope™ (**Figura 10**).
- Retire el paquete de pilas y deséchelo. El dispositivo ahora puede ser desechado de manera segura de acuerdo con la normativa local (**Figura 11**).
- Retire la memoria USB de LiNA OperâScope™ Recording Module y transfiera las grabaciones a un ordenador utilizando un puerto USB (**Figura 12**).

Especificaciones técnicas de LiNA OperâScope™

| | |
|-------------------------------------|---|
| Tensión nominal de entrada: | 3 V CC ±10 % |
| Corriente nominal: | 330 mA ±20 % |
| Tipo de pilas: | 2 pilas AA 1,5 V Energizer alcalinas (no recargables) |
| Tiempo de funcionamiento: | ≤60 minutos |
| Resolución de la cámara: | 400x400 píxeles |
| Tamaño diagonal de la pantalla LCD: | 4,3 pulgadas |
| Longitud útil mínima: | 240 mm |
| Ángulo de punta preestablecido: | 20° ±5° |

Condiciones de la vida útil

La vida útil de LiNA OperâScope™ es de 36 meses. Las unidades de prueba se han sometido a condiciones de envío simuladas conforme al procedimiento D4169 de ASTM, ciclo 13, nivel de garantía 1. Se han inspeccionado todas las unidades y se han sometido a pruebas de verificación del diseño. Las unidades han cumplido todos los criterios de aceptación.

LiNA OPERÂSCOPE™ RECORDING MODULE:

La fuente de alimentación de LiNA OperâScope™ Recording Module se prepara conforme al punto 4 incluido anteriormente en estas instrucciones de uso. Los distintos números de ref. conciernen a la toma correspondiente.

- OP-RM-1-EU (para su uso en la mayoría de los países de la UE, toma de tipo C)
- OP-RM-1-UK (para su uso en RU y en otros países en que se emplee la toma de tipo G)
- OP-RM-1-AUS (para su uso en Australia y otros países en que se emplee la toma de tipo I)

Descarga de vídeo/archivos de imágenes estáticas postprocedimiento

Los vídeos y las imágenes estáticas se pueden descargar del LiNA OperâScope™ mediante la toma USB de LiNA OperâScope™ Recording Module e importar en el historial médico del paciente. Como no hay datos identificativos del paciente en el vídeo o los archivos de imágenes estáticas, el archivo descargado se tendrá que cargar y guardar en el historial médico del paciente inmediatamente después del procedimiento, con cuidado de establecer el vínculo correspondiente entre el archivo y el paciente.

Reproducción del vídeo grabado o las imágenes estáticas en el ordenador

- Paso 1
Introduzca el lápiz USB en el puerto USB del ordenador.
- Paso 2
Descargue e instale software de códecs suplementario para Windows Media Player, como Media Player Codec Pack.
- Paso 3
Haga clic en «Inicio» en Windows y seleccione la carpeta en la que se encuentra el archivo MPEG 4, como Mis vídeos o Mis descargas.
- Paso 4
Haga clic con el botón derecho del ratón sobre el vídeo y seleccione «Abrir con». Elija «Windows Media Player» entre las opciones disponibles para comenzar a reproducir su vídeo/imágenes.

Nota: LiNA OperâScope™ Recording Module debe eliminarse como residuo electrónico de acuerdo con la normativa local.

Limpieza posterior al procedimiento

LiNA OperâScope™ Recording Module está destinado a ser utilizado fuera del campo estéril y lejos del paciente. Aunque LiNA OperâScope™ Recording Module no está diseñado para entrar en contacto directo con el paciente, el dispositivo puede estar expuesto a fluidos corporales o sangre, ya que se utiliza en el quirófano durante el tratamiento del paciente.

Después de cada uso en pacientes, deben seguirse las siguientes instrucciones de limpieza/desinfección para asegurar una limpieza adecuada de los componentes externos.


NO SUMERJA LiNA OPERÂSCOPE™ RECORDING MODULE.

DURANTE LA LIMPIEZA/DESINFECCIÓN, ORIENTE LA POSICIÓN DE LiNA OPERÂSCOPE™ RECORDING MODULE PARA MINIMIZAR EL LÍQUIDO QUE ENTRA EN CONTACTO CON LOS CONECTORES DE ALIMENTACIÓN, USB, VISOR Y MONITOR.

LA CARCASA DE LiNA OPERÂSCOPE™ RECORDING MODULE NO DEBE ABRIRSE PARA LIMPIAR/DESINFECTAR.

ADVERTENCIA: NO SE PERMITE NINGUNA MODIFICACIÓN DE ESTE EQUIPO.

- Apague y desenchufe LiNA OperâScope™ Recording Module.
- Coloque LiNA OperâScope™ Recording Module y el cable de alimentación sobre una superficie limpia y seca.
- Con un paño de limpieza/desinfección, limpie completamente la parte superior, inferior y los 4 lados de LiNA OperâScope™ Recording Module.
- Después de limpiar, inspeccione visualmente el exterior en busca de fluidos corporales residuales o suciedad y repita el proceso.
- Deje reposar LiNA OperâScope™ Recording Module durante al menos 3 minutos.
- Usando un hisopo isopropílico al 70 %, limpie a fondo las juntas del módulo asegurándose de que esté libre de fluidos corporales.
- Una vez que el módulo esté limpio visualmente, coloque el dispositivo en un área de almacenamiento para su uso futuro.

Las pilas de LiNA OperâScope™ Recording Module tienen 7 años de vida útil:

Las pilas de LiNA OperâScope™ Recording Module tienen una vida útil de 7 años a partir de la fecha de fabricación y se sustituirán antes de la caducidad prevista.

| | |
|---------------------------------------|--------------------|
| Tensión nominal de entrada: | 100-240 V CA ±10 % |
| Frecuencia nominal de entrada: | 50-60 Hz |



LiNA OperâScope™

REF OP-201-6-I, OP-RM-1-UK, OP-RM-1-EU, OP-RM-1-AUS

Corriente nominal de entrada: 0,16-0,08 Arms con carga máxima
Tensión nominal de salida: Uout: 9 V CC +5 %/-5 %
Corriente nominal de salida Iout: 800 mA
Adaptador de CA incluido: Friwo Fox 9 V CC/800 mA

Información general:

Condiciones ambientales durante el transporte y el almacenamiento:

Temperatura De 0 °C a + 55 °C
Humedad del aire Del 10 % al 90 %
Presión atmosférica De 70 kPa a 106 kPa

Condiciones ambientales durante el uso:

Temperatura De +10 °C a +40 °C
Humedad del aire Del 35 % al 75 %
Presión atmosférica De 70 kPa a 106 kPa

LiNA OperâScope™ cumple con los estándares de EMC: Equipo médico eléctrico, PARTE 1-2: Requisitos generales para la seguridad básica y las prestaciones esenciales.

- Nota: las características de emisión de este equipo lo hacen adecuado para su uso en áreas industriales y hospitales/clínicas (CISPR 11 Clase A). El equipo no está indicado para su uso fuera de un hospital o clínica.
- Inmunidad de acuerdo con el entorno del centro de salud profesional.

Software de código abierto utilizado en LiNA OperâScope™ Recording Module:

El producto contiene, entre otros, software de código abierto, bajo una licencia de software de código abierto y desarrollado por terceros. Estos archivos de software de código abierto están protegidos por derechos de autor. Sus derechos para utilizar el software de código abierto más allá de la mera ejecución del programa de LiNA Medicals se rigen por las condiciones de licencia de software de código abierto pertinentes.

El cumplimiento de estas condiciones de licencia le dará derecho a utilizar el software de código abierto según lo previsto en la licencia correspondiente. En caso de conflicto entre las condiciones de la licencia de LiNA Medical y las condiciones de la licencia del software de código abierto, prevalecerán las condiciones del software de código abierto con respecto a las partes del software de código abierto. El software de código abierto está libre de derechos (es decir, no se cobra ninguna tarifa por el ejercicio de los derechos de licencia, mientras que pueden cobrarse tarifas por el reembolso de los costes incurridos por LiNA Medical).

Una lista de los programas de software de código abierto contenidos en este producto y las licencias de software de código abierto están disponibles en este documento.

Si los programas contenidos en este producto tienen Licencia Pública General (GPL) de GNU, Licencia Pública General Reducida (LGPL) de GNU o cualquier otra licencia de software de código abierto que requieren que el código fuente esté disponible y que este software no se entregue ya en forma de código fuente junto con el dispositivo, puede solicitar el código fuente correspondiente a LiNA Medical pagando una cuota de 5 euros por el acto físico de transferir la copia. Envíe su solicitud específica, dentro de los tres años siguientes a la fecha de compra de este producto, junto con el nombre o número de identificación del producto a:

LiNA Medical
Formervangen 5
DK-2600 Glostrup
Dinamarca
www.lina-medical.com

Garantía sobre el uso adicional del software de código abierto:

LiNA Medical no ofrece ninguna garantía para los programas de software de código abierto contenidos en este dispositivo si dichos programas se utilizan de cualquier otra manera que no sea la ejecución del programa previsto por LiNA Medical. Las licencias que se enumeran a continuación definen la garantía, si la hubiera, de los autores o licenciantes del software de código abierto. LiNA Medical renuncia específicamente a cualquier garantía por defectos causados por la alteración de cualquier programa de software de código abierto o la configuración del producto. Usted no tiene ningún derecho de garantía contra LiNA Medical en el caso de que el software de código abierto infrinja los derechos de propiedad intelectual de un tercero. El soporte técnico, si existe, solo se proporcionará para software no modificado.

Notificación:

Cualquier incidente grave que se haya producido en relación con el dispositivo deberá ser comunicado a LiNA Medical ApS y a la autoridad reguladora competente del país en el que esté establecido el usuario o el paciente. Marcado WWCE 2020.



LiNA OperâScope™

REF OP-201-6-I, OP-RM-1-UK, OP-RM-1-EU, OP-RM-1-AUS

pt

USO PRETENDIDO:

LiNA OperâScope™ para histeroscopia:

O LiNA OperâScope™ destina-se a ser utilizado na visualização do canal cervical e da cavidade uterina durante procedimentos de diagnóstico e terapêutica no âmbito da ginecologia.

LiNA OperâScope™ para cistoscopia:

O LiNA OperâScope™ destina-se a ser utilizado na visualização da uretra feminina e da cavidade da bexiga durante procedimentos de diagnóstico e terapêutica no âmbito da cistoscopia.

POPULAÇÃO DE PACIENTES:

Adolescentes ou pacientes mais velhas com procedimentos de diagnóstico e terapêutica no âmbito da ginecologia que requerem visualização do canal cervical e da cavidade uterina.

Adolescentes ou pacientes do sexo feminino mais velhas com procedimentos de diagnóstico e terapêutica no âmbito da cistoscopia que requerem visualização da uretra e da cavidade da bexiga.

Os tipos de procedimentos onde o LiNA OperâScope™ poderá garantir visualização incluem:

- Histeroscopia:
 - Diagnóstico de hemorragia anormal, dor pélvica, amenorreia e anomalias detetadas por meio de histerossalpingografia;
 - Diagnóstico de infertilidade e aborto espontâneo;
 - Confirmação de presença de corpos estranhos intrauterinos;
 - Assistência na localização de pólipos e miomas submucosos que serão alvo de remoção;
 - Fornecimento de orientação visual durante biopsias dirigidas, polipectomia, miomectomia (no caso de miomas submucosos), transecção de aderências intrauterinas e septos.
- Cistoscopia:
 - O LiNA OperâScope™ permite visualizar a bexiga urinária feminina através de uma abordagem minimamente invasiva, recorrendo a orifícios naturais para aceder à área de diagnóstico.
 - Adicionalmente, fornece orientação visual durante os seguintes procedimentos diagnósticos e terapêuticos: diagnóstico de infeções do trato urinário (ITU) recorrentes, dor pélvica, dificuldades em urinar, incontinência urinária, biopsia dirigida, remoção de pólipos e pedras na bexiga, injeções de toxina botulínica (por ex., botox), inserção e/ou remoção de stents urinários, exame à bexiga e à uretra para deteção de lesões e diagnóstico de permeabilidade ureteral.

DESCRIÇÃO DO PRODUTO:

O LiNA OperâScope™ é um endoscópio de utilização única, alimentado a pilhas, com uma cânula e um ecrã LCD com um cabo HDMI de 3 m ligado ao punho. O LiNA OperâScope™ é fornecido esterilizado por óxido de etileno e o conjunto de pilhas é fornecido esterilizado por radiação.

A cânula de diâmetro (nominal) de 4,2 mm contém uma câmara em miniatura e iluminação LED na extremidade distal, e uma secção pré-curvada da extremidade da cânula é rodada por um botão giratório (**Figura 7**) no punho. O centro deste botão giratório é o canal de inserção para introdução de instrumentos/acessórios de até 1,86 mm (5,5 Fr) de diâmetro nominal e 310 mm de comprimento de trabalho mínimo. Torneiras Luer Lock de influxo e refluxo na base do punho facilitam a distensão e a lavagem da cavidade uterina/bexiga com meio de distensão. O cabo HDMI na base do punho pode ser ligado a um monitor externo com entrada HDMI ou, em alternativa, ao Módulo de gravação do LiNA OperâScope™ para gravação de vídeo ou imagens numa pen USB padrão (verifique se a pen USB tem capacidade de armazenamento suficiente).

Durante o funcionamento, a visualização pode ser otimizada ajustando o brilho (iluminação). O brilho é controlado através do botão de brilho (**Figura 5**) localizado no punho. A definição por defeito está no brilho máximo.

Para além do LiNA OperâScope™, existe ainda um Módulo de gravação do LiNA OperâScope™ (**Figura 4**) para capturar imagens fixas e de vídeo para visualização posterior. O Módulo de gravação do LiNA OperâScope™ é fornecido não esterilizado e concebido para ser ligado ao cabo HDMI do LiNA OperâScope™. Não é suposto que o Módulo de gravação do LiNA OperâScope™ entre em contacto com o campo estéril ou a paciente.

O LiNA OperâScope™ e o Módulo de gravação devem ser utilizados em condições ambientes e armazenados a temperatura ambiente em local seco.





LiNA OperâScope™

REF OP-201-6-I, OP-RM-1-UK, OP-RM-1-EU, OP-RM-1-AUS

Condições ambientais de armazenamento e durante o transporte:

| | |
|---------------------|-----------------|
| Temperatura | 0 °C a +55 °C |
| Humidade do ar | 10% a 90% |
| Pressão atmosférica | 70 kPa a 106kPa |

Condições ambientais durante a utilização:

| | |
|---------------------|------------------|
| Temperatura | +10 °C a +40 °C |
| Humidade do ar | 35% a 75% |
| Pressão atmosférica | 70 kPa a 106 kPa |

ACESSÓRIOS:

Os seguintes acessórios podem ser utilizados com o LiNA OperâScope™:

- Módulo de gravação do LiNA OperâScope™,
- Tubo de gestão de fluidos com um Luer Lock macho disponível no mercado,
- Instrumentos/acessórios para uso diagnóstico/terapêutico disponíveis no mercado.

CONTRAINDICAÇÕES:

A utilização do dispositivo é contraindicada em histeroscopias em caso de:

- Incapacidade de distender o útero;
- Estenose cervical;
- Infecção cervical/vaginal;
- Hemorragia uterina ou menstruação;
- Gravidez confirmada;
- Carcinoma confirmado no colo do útero e/ou no útero;
- Perfuração uterina recente;
- Doença inflamatória pélvica (DIP) confirmada;
- Contraindicação médica ou intolerância à anestesia.

A utilização do dispositivo é contraindicada em cistoscopias em caso de:

- Doença inflamatória pélvica (DIP) confirmada;
- Infecções agudas/confirmadas do trato urinário;
- Coagulopatia grave.

AVISOS:

O não cumprimento de todas as instruções e dos avisos ou precauções poderá resultar em lesões graves na paciente.

- O LiNA OperâScope™ é fornecido ESTERILIZADO por óxido de etileno (LiNA OperâScope™) e por radiação (pilhas). Verifique cuidadosamente se a embalagem apresenta danos antes de utilizar. NÃO tente utilizar o dispositivo se a barreira de esterilização estiver danificada. NÃO utilize o dispositivo depois de expirado o prazo de validade. NÃO utilizar se o dispositivo tiver sido exposto a superfícies não esterilizadas antes do procedimento.
- Uma baixa luminosidade na configuração mínima pode limitar a visualização e ser inadequada para procedimentos cirúrgicos. Antes da utilização, os operadores do dispositivo devem verificar se a luminosidade é adequada para o procedimento planeado.
- Se sentir resistência com o dispositivo dentro da paciente, não faça avançar o LiNA OperâScope™.
- Não tente alterar o formato da cânula distal.
- Produto descartável. NÃO reutilize, reprocesse ou reesterilize o LiNA OperâScope™. Qualquer reprocessamento pode impedir o bom funcionamento deste dispositivo. A reutilização de dispositivos descartáveis pode também aumentar o risco de contaminação cruzada. Tentativas de limpeza do dispositivo resultam em risco de avaria do dispositivo e/ou na colheita incorreta de amostras para patologia devido à presença de tecido residual no LiNA OperâScope™.
- Não remova a bateria durante o processo de tratamento.
- Disponha sempre de um dispositivo de recurso preparado para utilização imediata.
- Utilize o dispositivo LiNA OperâScope™ apenas com as pilhas fornecidas — as pilhas estão identificadas como pilhas alcalinas AA Energizer num conjunto de pilhas dedicado para o LiNA OperâScope™.
- A autonomia das pilhas do LiNA OperâScope™ é de 60 minutos.
- Em caso de avaria durante a utilização ou expiração da autonomia das pilhas, pare imediatamente o procedimento, remova lentamente o LiNA OperâScope™ e substitua-o por um novo LiNA OperâScope™.
- Não utilize equipamento de comunicação por RF portátil (incluindo periféricos como cabos de antena e antenas externas) a uma distância de 30 cm (12 polegadas) do LiNA OperâScope™, sob risco de degradação do desempenho do LiNA OperâScope™.
- A utilização de acessórios, transdutores e cabos diferentes dos especificados pode resultar numa alteração das propriedades eletromagnéticas e num funcionamento potencialmente impróprio.



LiNA OperâScope™

REF OP-201-6-I, OP-RM-1-UK, OP-RM-1-EU, OP-RM-1-AUS

- Evite a utilização do equipamento LiNA OperâScope™ nas proximidades de outro equipamento, uma vez que pode resultar em funcionamento impróprio. Se tal utilização for necessária, examine os dois equipamentos para verificar se estão a funcionar normalmente.
- Evite submergir o punho, as pilhas, a porta HDMI e/ou o ecrã LCD do LiNA OperâScope™ num banho de fluidos. Em caso de submersão do LiNA OperâScope™, certifique-se de que o LiNA OperâScope™ está seco e continua operacional antes da utilização clínica. Se o LiNA OperâScope™ não estiver operacional, substitua-o por um novo dispositivo.
- Para minimizar o risco de perfuração, faça avançar/manuseie o LiNA OperâScope™ apenas durante a visualização de imagens ao vivo e em condições adequadas de iluminação.
- A utilização do LiNA OperâScope™ em procedimentos de histeroscopia está circunscrita a profissionais médicos com formação adequada em histeroscopia.
- A utilização do LiNA OperâScope™ em procedimentos de cistoscopia está circunscrita a profissionais médicos com formação adequada em cistoscopia.
- Utilize um meio de distensão líquido e vigie rigorosamente a entrada e saída de fluidos. Acompanhe com muito cuidado qualquer instilação intrauterina que exceda 1 litro, para reduzir a possibilidade de sobrecarga de fluidos.

PRECAUÇÕES:

Potenciais complicações gerais na utilização do LiNA OperâScope™

Antes de cada utilização ou depois de alterar as configurações do LiNA OperâScope™, certifique-se de que o visualizador do LiNA OperâScope™ apresenta uma imagem ao vivo (e não uma imagem guardada) e possui a orientação de visualização correta.

Se não manter um escoamento/irrigação contínua(o) durante a utilização do LiNA OperâScope™, a temperatura de funcionamento da extremidade distal pode exceder os 41 °C (105,8 °F).

Enquanto o Módulo de gravação do LiNA OperâScope™ estiver ligado ao LiNA OperâScope™, certifique-se de que a fonte de alimentação é facilmente acessível, na eventual necessidade de desligar a energia.

Certifique-se de que o Módulo de gravação e o monitor do LiNA OperâScope™ estão fora do alcance da paciente.

Potenciais complicações na histeroscopia/cistoscopia de fluxo contínuo:

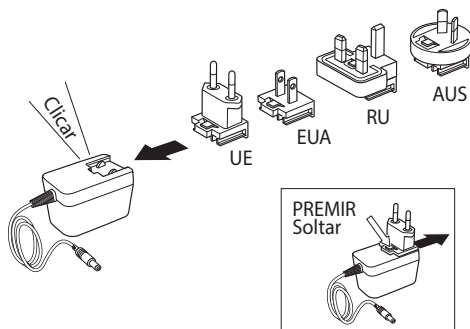
- Hiponatremia;
- Hipotermia;
- Perfuração uterina/falso trajeto, resultando em possíveis lesões no intestino, na bexiga, nos principais vasos sanguíneos e no úterio;
- Perfuração na bexiga/falso trajeto, resultando em possíveis lesões no intestino, no útero, nos principais vasos sanguíneos e no úterio;
- Edema pulmonar;
- Edema cerebral;
- Infecção;
- Hemorragia;
- Dor;
- Episódios de síncope vasovagal;
- Traumatismo da uretra (específico da cistoscopia).

Recomenda-se o uso de soro fisiológico normal como meio de distensão e a limitação do volume infundido a quantidades inferiores a 1000 ml para diminuir o risco das complicações supramencionadas. Normalmente, é possível realizar a distensão intrauterina com pressões na ordem dos 35–75 mmHg. É raramente necessário usar pressões superiores a 75–80 mmHg, a não ser em casos de pressão arterial sistémica excessiva.

INSTRUÇÕES DE UTILIZAÇÃO:

Leia as instruções de utilização antes de utilizar o dispositivo!

1. Antes da utilização, examine cuidadosamente a embalagem quanto a quaisquer danos. NÃO tente utilizar o dispositivo se a barreira de esterilização estiver danificada. NÃO utilize o dispositivo depois de expirado o prazo de validade.
2. Remova o LiNA OperâScope™ do blister esterilizado (**Figura 2**) utilizando uma técnica asséptica.
3. Ligue o tubo de influxo de fluido à porta de influxo e o tubo de refluxo de fluido à porta de refluxo (**Figura 3**).
4. O LiNA OperâScope™ pode ser ligado a um monitor externo ou ao Módulo de gravação através de um cabo HDMI. Nota: Antes de utilizar o Módulo de gravação do LiNA OperâScope™, certifique-se de que instala a ficha adequada para as tomadas de parede locais, de que a unidade está conectada e a luz verde da alimentação está acesa.



- Retire as pilhas do blister esterilizado e insira-as no punho do LiNA OperâScope™ (**Figura 6**).
- A fonte de luz na extremidade distal da cânula acende e a imagem da câmara deverá ser visível no respetivo LCD. Se a iluminação ou a imagem da câmara não estiverem funcionais, descontinue a configuração e abra um novo LiNA OperâScope™ (**Figura 7**).
- Injete o fluido pela cânula até que todas as bolhas de ar sejam eliminadas do tubo (**Figura 8**).
- O LiNA OperâScope™ está agora pronto a ser utilizado.
- Com o fluido em circulação, insira a cânula pelo canal cervical ou pela uretra enquanto visualiza a imagem, de acordo com o procedimento padrão para introdução do LiNA OperâScope™ (**Figura 9**).
- Caso deseje capturar imagens ou vídeos, insira um dispositivo de armazenamento USB no Módulo de gravação do LiNA OperâScope™ e certifique-se de que o cabo HDMI está ligado a partir do LiNA OperâScope™. O punho e o Módulo de gravação do LiNA OperâScope™ dispõem de botões de captura de imagem e vídeo. Prima e solte o botão de imagem para capturar uma imagem fixa. Prima e solte o botão de vídeo para iniciar a gravação; prima e solte novamente o botão de vídeo para parar a gravação (**Figura 5**).
Nota: Quando o Módulo de gravação do LiNA OperâScope™ estiver em funcionamento, o LED irá piscar a azul.
- O LiNA OperâScope™ possui um lúmen central localizado dentro do botão giratório do punho (**Figura 9**) e fornece uma conduta para fazer chegar instrumentos/acessórios diagnósticos e terapêuticos à cavidade uterina ou da bexiga. Instrumentos/acessórios com as seguintes dimensões são compatíveis com o lúmen central do LiNA OperâScope™:
 - Diâmetro externo máximo: 1,86 mm (5,5 Fr)
 - Comprimento útil mínimo: 310 mm
- Após a conclusão do procedimento, remova o LiNA OperâScope™ (**Figura 10**).
- Remova o conjunto de pilhas e elimine-as. O dispositivo pode agora ser eliminado em segurança, de acordo com as diretrizes locais em vigor (**Figura 11**).
- Remova o dispositivo de armazenamento USB do Módulo de gravação do LiNA OperâScope™ e transfira as gravações para um computador utilizando uma porta USB (**Figura 12**).

Especificações técnicas do LiNA OperâScope™

| | |
|---------------------------------------|--|
| Tensão nominal de entrada: | 3 VCC ±10% |
| Corrente nominal: | 330 mA ±20% |
| Tipo de pilhas: | 2 pilhas alcalinas AA Energizer de 1,5 V (não recarregáveis) |
| Tempo de funcionamento: | ≤60 minutos |
| Resolução da câmara: | 400 x 400 pixels |
| Tamanho diagonal do ecrã LCD: | 4,3 polegadas |
| Comprimento útil mínimo: | 240 mm |
| Ângulo de extremidade predeterminado: | 20° ±5° |

Condições de vida útil

A vida útil do LiNA OperâScope™ é de 36 meses. Posteriormente, as unidades de teste foram sujeitas a condições de envio simuladas de acordo com a norma ASTM D4169, Ciclo 13, nível de garantia 1. Todas as unidades foram examinadas e sujeitas a testes de verificação de projeto, tendo cumprido todos os critérios de aceitação.

MÓDULO DE GRAVAÇÃO DO LiNA OPERÂSCOPE™:

A fonte de alimentação do Módulo de gravação do LiNA OperâScope™ é preparada de acordo com o ponto 4 das instruções de utilização acima. Os diferentes números de referência referem-se à tomada relevante.

- OP-RM-1-EU (para utilização na maioria dos países da UE — tomada tipo C)
- OP-RM-1-UK (para utilização no Reino Unido e noutros países que utilizem tomada tipo G)
- OP-RM-1-AUS (para utilização na Austrália e noutros países que utilizem tomada tipo I)

Descarregar ficheiros de vídeo/imagens fixas pós-procedimento

É possível transferir vídeos e imagens fixas do LiNA OperâScope™ através do USB do Módulo de gravação do LiNA OperâScope™ e importá-los para o registo médico da paciente. Uma vez que o ficheiro de vídeo/imagem fixa não contém qualquer informação que identifique a paciente, o ficheiro transferido deve ser carregado e guardado no registo médico da paciente imediatamente após o procedimento, assegurando a associação adequada entre o ficheiro e a paciente.

Reprodução no computador de vídeos/imagens fixas gravadas

Passo 1

Insira o dispositivo de armazenamento USB na porta USB do computador.

Passo 2

Transfira e instale algum software de codec suplementar para Windows Media Player, como o Media Player Codec Pack.

Passo 3

Clique em «Iniciar» no Windows e selecione a pasta onde o ficheiro MPEG 4 está localizado, como «Vídeos» ou «Transferências».

Passo 4

Clique com o botão direito do rato no vídeo e selecione «Abrir com». Escolha «Windows Media Player» entre as opções disponíveis para iniciar a reprodução do vídeo/imagens.

Nota: O Módulo de gravação do LiNA OperâScope™ deve ser considerado resíduo eletrónico e eliminado de acordo com os regulamentos locais.

Limpeza pós-procedimento

O Módulo de gravação do LiNA OperâScope™ destina-se a ser utilizado fora do campo estéril e longe da paciente. Apesar de o Módulo de gravação do LiNA OperâScope™ não se destinar a entrar em contacto direto com a paciente, o dispositivo pode ser exposto a fluidos corporais e/ou sangue, uma vez que é utilizado no bloco operatório durante o tratamento de pacientes.

Após a utilização em cada paciente, cumpra as seguintes instruções de limpeza/desinfecção para garantir a limpeza adequada dos componentes externos.



NÃO SUBMIRJA O MÓDULO DE GRAVAÇÃO DO LiNA OPERÂSCOPE™.

DURANTE A LIMPEZA/DESINFECÇÃO, AJUSTE A POSIÇÃO DO MÓDULO DE GRAVAÇÃO DO LiNA OPERÂSCOPE™ PARA MINIMIZAR O CONTACTO COM LÍQUIDO DOS CONECTORES DE ALIMENTAÇÃO, DE USB, DO ENDOSCÓPIO E DO MONITOR.

A CAIXA DO MÓDULO DE GRAVAÇÃO DO LiNA OPERÂSCOPE™ NÃO DEVE SER ABERTA PARA LIMPEZA/DESINFECÇÃO.

AVISO: QUALQUER MODIFICAÇÃO NESTE EQUIPAMENTO É PROIBIDA.

- Desligue e desconecte o Módulo de gravação do LiNA OperâScope™ da tomada.
- Coloque o Módulo de gravação do LiNA OperâScope™ e o cabo de alimentação numa superfície limpa e seca.
- Limpe completamente o topo, a base e os quatro lados do Módulo de gravação do LiNA OperâScope™ com um toalhete de limpeza/desinfecção.
- Após a limpeza, examine visualmente o exterior em busca de fluidos corporais residuais ou sujidade e repita a limpeza.
- Deixe o Módulo de gravação do LiNA OperâScope™ em repouso durante, pelo menos, três minutos.
- Limpe minuciosamente as juntas do módulo com uma cotonete embebida em álcool isopropílico a 70%, assegurando que o módulo está livre de fluidos corporais.
- Assim que o módulo estiver visualmente limpo, coloque o dispositivo numa área de armazenamento para utilização futura.

Vida útil de 7 anos da bateria do Módulo de gravação do LiNA OperâScope™:

A bateria do Módulo de gravação do LiNA OperâScope™ tem uma vida útil de 7 anos a contar da data de fabrico e deverá ser substituída antes da expiração da vida útil prevista.



LiNA OperãScope™

REF OP-201-6-I, OP-RM-1-UK, OP-RM-1-EU, OP-RM-1-AUS

| | |
|--|-------------------------------|
| Tensão nominal de entrada: | 100–240 VCA ±10% |
| Frequência nominal de entrada: | 50–60 Hz |
| Corrente nominal de entrada: | 0,16–0,08 Arms @ carga máxima |
| Tensão nominal de saída: | Uout: 9 VCC +5%/–5% |
| Corrente nominal de saída iout: | 800 mA |
| Adaptador de CA fornecido: | Friwo Fox 9 VCC/800 mA |

Informações gerais:

Condições ambientais de armazenamento e durante o transporte:

| | |
|---------------------|-----------------|
| Temperatura | 0 °C a +55 °C |
| Humidade do ar | 10% a 90% |
| Pressão atmosférica | 70 kPa a 106kPa |

Condições ambientais durante a utilização:

| | |
|---------------------|------------------|
| Temperatura | +10 °C a +40 °C |
| Humidade do ar | 35% a 75% |
| Pressão atmosférica | 70 kPa a 106 kPa |

O LiNA OperãScope™ cumpre as normas relativas a CEM: Equipamento de eletromedicina — PARTE 1–2: Requisitos gerais de segurança básica e de desempenho essencial.

- Nota: As características de emissão deste equipamento tornam-no adequado para utilização em áreas industriais e hospitais/clínicas (CISPR 11 Classe A). O equipamento não é indicado para ser utilizado fora de um ambiente hospitalar ou clínico.
- Imunidade de acordo com o ambiente das instalações de cuidados de saúde profissionais.

Software livre utilizado no Módulo de gravação do LiNA OperãScope™:

O produto contém, entre outras coisas, software livre licenciado ao abrigo de uma Licença de software livre e desenvolvido por terceiros. Estes ficheiros de software livre estão protegidos por direitos de autor. O seu direito de utilizar o software livre além da simples execução do programa LiNA Medicals é regulado pelas condições de licenciamento de software livre relevantes.

A observância dessas condições de licenciamento irá conceder-lhe o direito de utilizar o software livre como previsto na licença relevante. Em caso de conflito entre as condições de licenciamento da LiNA Medical e as condições de licenciamento do software livre, as condições do software livre irão prevalecer no que respeita às partes do software que contém software livre. O software livre é licenciado a título gratuito (isto é, não são cobradas taxas pelo exercício dos direitos licenciados, mas podem ser cobradas taxas pelo reembolso dos custos incorridos pela LiNA Medical).

Neste documento é disponibilizada uma lista dos programas de software livre incluídos neste produto e das licenças de software livre.

Se os programas incluídos neste produto estiverem licenciados ao abrigo da Licença Pública Geral GNU (GPL), da Licença Pública Geral Menor GNU (LGPL) ou de qualquer outra licença de software livre, o que exige a disponibilização do código fonte, e este software não for entregue em formato de código fonte juntamente com o dispositivo, poderá solicitar o respetivo código fonte à LiNA Medical através do pagamento de uma taxa de 5 euros que cobre o ato físico de transferir a cópia. Envie o seu pedido específico no espaço de três anos a contar da data de aquisição deste produto, juntamente com o nome e/ou o número de identificação do produto, para:

LiNA Medical
Formervangen 5
DK-2600 Glostrup
Dinamarca
www.lina-medical.com

Garantia sobre a utilização adicional do software livre:

A LiNA Medical não oferece qualquer garantia sobre os programas de software livre incluídos neste dispositivo, se estes programas forem usados de maneira diferente à execução prevista pela LiNA Medical. As licenças listadas abaixo definem a garantia, se existente, concedida pelos autores ou licenciadores do software livre. A LiNA Medical rejeita especificamente qualquer garantia sobre defeitos causados pela alteração de qualquer programa de software livre ou da configuração do produto. A LiNA Medical não irá responder a reclamações de garantia no caso de o software livre infringir os direitos de propriedade intelectual de um terceiro. Se existente, só será fornecido apoio técnico a software não modificado.



LiNA OperãScope™

REF OP-201-6-I, OP-RM-1-UK, OP-RM-1-EU, OP-RM-1-AUS

Comunicação:

Qualquer incidente grave que ocorra com o dispositivo deverá ser comunicado à LiNA Medical ApS e à autoridade reguladora competente do país de residência do utilizador e/ou do paciente. WW Marcação CE 2020.





URČENÉ POUŽITÍ:

LiNA OperåScope™ pro hysteroskopii:

Prostředek LiNA OperåScope™ je určen k vizualizaci cervikálního kanálu a děložní dutiny při diagnostických a terapeutických gynekologických zákrocích.

LiNA OperåScope™ pro cystoskopii:

Prostředek LiNA OperåScope™ je určen k vizualizaci močové trubice a dutiny močového měchýře u žen při diagnostických a terapeutických cystoskopických výkonech.

POPULACE PACIENTŮ:

Dospívající nebo starší pacientky s diagnostickými a terapeutickými gynekologickými výkony, které vyžadují vizualizaci cervikálního kanálu a děložní dutiny.

Dospívající nebo starší pacientky s diagnostickými a terapeutickými cystoskopickými výkony, které vyžadují vizualizaci močové trubice a dutiny močového měchýře.

Mezi typy zákroků, u kterých může prostředek LiNA OperåScope™ umožnit vizualizaci, patří:

- Hysteroskopie:
 - Posouzení abnormálního krvácení, pánevní bolesti, amenorey a abnormálních nálezů z hysterosalpingogramu;
 - Hodnocení neplodnosti a těhotenských ztrát;
 - Potvrzení přítomnosti nitroděložního cizího tělesa;
 - Pomoc při lokalizaci podslizničních myomů a polypů určených k odstranění;
 - Zajištění vizuálního vedení při cílené biopsii, polypektomii, submukózní myomektomii, resekci intrauterinních adhezí a sept.
- Cystoskopie:
 - Prostředek LiNA OperåScope™ umožňuje zobrazení močového měchýře u žen minimálně invazivním přístupem s využitím přirozených otvorů pro přístup k diagnostikovanému místu.
 - Dále poskytuje vizuální orientaci při následujících diagnostických a terapeutických výkonech: hodnocení recidivujících infekcí močových cest (UTI), pánevní bolesti, obtíží při močení, močové inkontinence, řízené biopsie, odstraňování polypů a močových kamenů, injekce botulotoxinu (např. botoxu), zavádění a/nebo odstraňování močových stentů, kontrola močového měchýře a močové trubice z hlediska poranění a hodnocení průchodnosti močovodu.

POPIS VÝROBKU:

Prostředek LiNA OperåScope™ je jednorázový bateriový endoskop s kanylou a LCD displejem s 3m kabelem HDMI připojeným k rukojeti. Prostředek LiNA OperåScope™ je sterilní působením ethylenoxidu a sada baterií je sterilní působením radioaktivního záření.

Kanyla o nominálním průměru 4,2 mm obsahuje miniaturní kameru a LED osvětlení na distálním konci a předem zakřivená část hrotu kanyly se otáčí otočným knoflíkem (**obrázek 7**) na rukojeti. Ve středu tohoto otočného knoflíku se nachází zaváděcí kanál pro zavedení nástrojů/příslušenství o jmenovitém průměru až 1,86 mm (5,5 Fr) a minimální pracovní délce 310 mm. Distanzi a proplachování dutiny dělohy / močového měchýře distančním médiem usnadňují oddělené vstupní a výstupní uzavírací kohouty s koncovkou typu Luer ve spodní části rukojeti. Kabel HDMI na spodní straně rukojeti lze připojit k externímu monitoru se vstupem HDMI nebo alternativně k modulu LiNA OperåScope™ Recording Module pro záznam videa nebo snímků na standardní jednotku USB (zajistěte, aby byla na jednotce USB volná úložná kapacita).

Vizualizaci lze během provozu optimalizovat nastavením jasu (osvětlení). Jas se ovládá tlačítkem jasu (**obrázek 5**) umístěným na rukojeti. Výchozí nastavení je maximální jas.

Kromě prostředku LiNA OperåScope™ je k dispozici modul LiNA OperåScope™ Recording Module (**obrázek 4**), který umožňuje pořizovat statické snímky i videozáznamy pro pozdější prohlížení. Modul LiNA OperåScope™ Recording Module se dodává nesterilní a je určen k připojení ke kabelu HDMI prostředku LiNA OperåScope™. Modul LiNA OperåScope™ Recording Module není určen pro kontakt se sterilním polem nebo pacientkou.

Prostředek LiNA OperåScope™ a záznamový modul je třeba používat v podmínkách okolního prostředí a skladovat při pokojové teplotě a v suchu.



Podmínky prostředí při přepravě a skladování

| | |
|-------------------|-------------------|
| Teplota | 0 °C až +55 °C |
| Vlhkost vzduchu | 10 % až 90 % |
| Atmosférický tlak | 70 kPa až 106 kPa |

Podmínky prostředí během používání:

| | |
|-------------------|-------------------|
| Teplota | +10 °C až +40 °C |
| Vlhkost vzduchu | 35 % až 75 % |
| Atmosférický tlak | 70 kPa až 106 kPa |

PŘÍSLUŠENSTVÍ:

S prostředkem LiNA OperåScope™ lze použít následující příslušenství:

- LiNA OperåScope™ Recording Module,
- komerčně dostupné hadičky pro vedení tekutin s uzávěrem typu male Luer Lock,
- komerčně dostupné přístroje/příslušenství pro diagnostické/terapeutické použití.

KONTRAIKACE:

Použití prostředku pro hysteroskopii je kontraindikováno v následujících případech:

- pokud není možné roztáhnout dělohu,
- stenóza cervikálního kanálu,
- infekce cervikálního kanálu / vaginální infekce,
- děložní krvácení nebo menses,
- známé těhotenství,
- známý karcinom cervikálního kanálu a/nebo dělohy,
- nedávná perforace dělohy,
- známé pánevní zánětlivé onemocnění (PID),
- zdravotní kontraindikace nebo nesnášenlivost anestezie.

Použití prostředku pro cystoskopii je kontraindikováno v následujících případech:

- známé pánevní zánětlivé onemocnění (PID),
- akutní/známé infekce močových cest,
- závažná koagulopatie.

VAROVÁNÍ:

Nedodržení všech pokynů nebo jakýchkoli varování či bezpečnostních opatření může mít za následek vážné zranění pacientky.

- Prostředek LiNA OperåScope™ se dodává STERILNÍ na základě sterilizace provedené ethylenoxidem (prostředek LiNA OperåScope™) a sterilizace provedené zářením (baterie). Před použitím si pečlivě prohlédněte obal a zkontrolujte, zda není poškozený. NEPOUŽÍVEJTE prostředek, pokud je sterilní bariéra poškozena. NEPOUŽÍVEJTE prostředek po uplynutí data expirace. NEPOUŽÍVEJTE prostředek, pokud před použitím došlo k jeho kontaktu s nesterilními povrchy.
- Nízká intenzita světla při nejnižším dostupném nastavení může omezit vizualizaci a může být nevhodná pro chirurgické zákroky. Obsluha zařízení by měla před použitím zkontrolovat, zda je rozsah intenzity světla vhodný pro plánovaný postup.
- Pokud se při zavádění prostředku v pacientce objeví odpor, prostředek LiNA OperåScope™ již dále nezavádějte.
- Nepokoušejte se měnit tvar distální kanyly.
- Pouze pro jedno použití. Prostředek LiNA OperåScope™ NESMÍ BÝT používán opakovaně, zpracováván opakovaně ani opakovaně sterilizován. Jakékoliv opakované zpracování může mít nepříznivý vliv na funkci tohoto nástroje. Opakované použití prostředků určených pro jedno použití může vést ke zvýšení rizika křížové kontaminace. Snahy o vyčištění prostředku mají za následek riziko jeho selhání a/nebo chybného odběru patologického vzorku způsobeného zbytkem tkáně v prostředku LiNA OperåScope™.
- Během postupu ošetření nevyjímejte baterii.
- Vždy mějte k dispozici záložní prostředek pro okamžité použití.
- Pouze pro použití s bateriemi distální kanyly s každým prostředkem LiNA OperåScope™ – baterie jsou označeny jako alkalické baterie AA Energizer ve speciálním balení baterií pro prostředek LiNA OperåScope™.
- Prostředek LiNA OperåScope™ je navržen tak, aby výdrž baterie byla 60 minut.
- Pokud se během používání vyskytne jakákoliv porucha nebo skončí životnost baterie, okamžitě přerušete postup, pomalu prostředek LiNA OperåScope™ vyjměte a vyměňte jej za nový prostředek LiNA OperåScope™.

- Přenosná RF komunikační zařízení (včetně periferních zařízení, jako jsou anténní kabely a externí antény) by se neměla používat ve vzdálenosti menší než 30 cm (12 palců) od prostředku LiNA OperåScope™, protože by mohlo dojít ke zhoršení výkonu prostředku LiNA OperåScope™.
- Použití jiného než uvedeného příslušenství, snímačů a kabelů by mohlo vést ke změně elektromagnetických vlastností, což by mohlo mít za následek nesprávnou funkci.
- Prostředek LiNA OperåScope™ by se neměl používat v blízkosti jiných zařízení, protože by mohlo dojít k nesprávné funkci. Pokud je takové použití nezbytné, je nutné tento prostředek a ostatní zařízení sledovat a ověřit, zda fungují normálně.
- Vyvarujte se ponoření rukojeti prostředku LiNA OperåScope™, baterie, portu HDMI a/nebo obrazovky LCD do lázně s tekutinou. Pokud byl prostředek LiNA OperåScope™ do tekutiny ponořen, ujistěte se, že je prostředek LiNA OperåScope™ před klinickým použitím vysušený a že zůstal funkční. Pokud prostředek LiNA OperåScope™ není funkční, vyměňte jej za nový prostředek.
- Abyste snížili riziko perforace, posouvejte/manipulujte s prostředkem LiNA OperåScope™ pouze při sledování živého obrazu z kamery a při zapnutém osvětlení.
- Hysteroskopické zákroky s použitím prostředku LiNA OperåScope™ by měl provádět pouze lékař, který je dostatečně vyškolen v hysteroskopii.
- Cystoskopické zákroky s použitím prostředku LiNA OperåScope™ by měl provádět pouze lékař, který je dostatečně vyškolen v cystoskopii.
- Používá se tekuté distenzní médium a je třeba přísně sledovat přítok a odtok tekutin. Aby se snížila možnost přeplnění tekutinami, nitroděložní instalace přesahující 1 litr by měla být prováděna s velkou opatrností.

BEZPEČNOSTNÍ OPATŘENÍ:

Možné obecné komplikace při použití prostředku LiNA OperåScope™

Před každým použitím nebo po změně nastavení prostředku LiNA OperåScope™ zkontrolujte, zda zobrazení prostředkem LiNA OperåScope™ poskytuje živý obraz (nikoli uložený obraz) a zda je obraz správně orientován.

Pokud se během provozu prostředku LiNA OperåScope™ neprovádí nepřetržitý výplach/proplach, může provozní teplota distálního konce překročit 41 °C (105,8 °F).

Pokud je k prostředku LiNA OperåScope™ připojen modul LiNA OperåScope™ Recording Module, zajistěte, aby v případě potřeby odpojení napájení byla napájecí jednotka snadno přístupná.

Zajistěte, aby se modul LiNA OperåScope™ Recording Module a monitor nacházely mimo dosah pacientky.

Možné komplikace kontinuální průtokové hysteroskopie/cystoskopie:

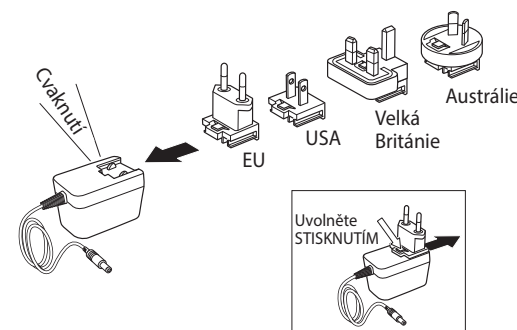
- Hyponatrémie,
- podchlazení,
- perforace dělohy / falešná pasáž s možným poraněním střeva, močového měchýře, hlavních cév a močovodu,
- perforace močového měchýře / falešná pasáž s možným poraněním střeva, dělohy, hlavních cév a močovodu,
- plicní edém,
- mozkový edém,
- infekce,
- krvácení,
- bolesti,
- vazovagální synkopy,
- poranění močové trubice (specifické pro cystoskopii).

Pro snížení rizika výše uvedených komplikací se doporučuje použít jako distenční médium fyziologický roztok a omezit infundovaný objem na méně než 1 000 ml. Nitroděložní distenze lze obvykle dosáhnout při tlaku v rozmezí 35–75 mm Hg. Pokud není systémový krevní tlak zvýšený, je zřídka nutně použít tlak vyšší než 75–80 mm Hg.

NÁVOD K POUŽITÍ:

Před použitím tohoto prostředku si přečtěte návod k použití!

1. Před použitím si pečlivě prohlédněte obal a zkontrolujte, zda není poškozený. NEPOUŽÍVEJTE prostředek, pokud je poškozena sterilní bariéra. NEPOUŽÍVEJTE prostředek po uplynutí data expirace.
2. Sterilní technikou vyjměte prostředek LiNA OperåScope™ ze sterilizovaného blistru (**obrázek 2**).
3. Připojte hadičku pro přívod kapaliny k přívodnímu portu a hadičku pro odvod kapaliny k odtokovému portu (**obrázek 3**).
4. Prostředek LiNA OperåScope™ lze připojit pomocí kabelu HDMI k externímu monitoru nebo k záznamovému modulu.
Poznámka: Před použitím modulu LiNA OperåScope™ Recording Module se ujistěte, že je připojena zástrčka odpovídající místním zásuvkám a že je jednotka zapojena a svítí zelená kontrolka napájení.



5. Vyjměte baterii ze sterilizovaného blistru a vložte ji do rukojeti prostředku LiNA OperåScope™ (**obrázek 6**).
6. Zdroj světla na distálním konci kanyly se rozsvítí a na vestavěném displeji LCD by měl být vidět obraz z kamery. Pokud osvětlení nebo obraz z kamery není funkční, přestaňte s nastavováním a rozbalte nový prostředek LiNA OperåScope™ (**obrázek 7**).
7. Proplachujte prostředek tekutinou skrz kanylu, dokud se z hadičky neodstraní všechny vzduchové bubliny (**obrázek 8**).
8. Prostředek LiNA OperåScope™ je nyní připraven k použití.
9. Při proudící tekutině se kanyla zavádí přes cervikální kanál nebo močovou trubici a zároveň se sleduje obraz, což je standardní postup při zavádění prostředku LiNA OperåScope™ (**obrázek 9**).
10. Pokud je požadováno nahrávání obrazu nebo videa, vložte do modulu LiNA OperåScope™ Recording Module paměťovou kartu USB a ujistěte se, že je z prostředku LiNA OperåScope™ připojen kabel HDMI. Rukojetí prostředku LiNA OperåScope™ i záznamový modul mají tlačítka pro snímání obrazu a videa. Stisknutím a uvolněním tlačítka snímku pořídíte statický snímek. Stisknutím a uvolněním tlačítka videa spustíte nahrávání; opětovným stisknutím a uvolněním tlačítka videa nahrávání zastavíte (**obrázek 5**).
Poznámka: Pokud je modul LiNA OperåScope™ Recording Module používán, bliká LED dioda modře.
11. Prostředek LiNA OperåScope™ má centrální lumen umístěný v otočném knoflíku rukojeti (**obrázek 9**) a poskytuje průchod pro diagnostické a terapeutické nástroje/příslušenství do dutiny děložní nebo do močového měchýře. S centrálním lumenem prostředku LiNA OperåScope™ jsou kompatibilní nástroje/příslušenství následujících rozměrů:
 - Maximální vnější průměr: 1,86 mm (5,5 Fr)
 - Minimální použitelná délka: 310 mm
12. Po dokončení postupu prostředek LiNA OperåScope™ vyjměte (**obrázek 10**).
13. Vyjměte sadu baterií a zlikvidujte ji. Prostředek lze nyní bezpečně zlikvidovat v souladu s místními předpisy (**obrázek 11**).
14. Vyjměte paměť USB z modulu LiNA OperåScope™ Recording Module a přeneste záznamy do počítače pomocí portu USB (**obrázek 12**).

Technické specifikace prostředku LiNA OperåScope™

| | |
|-----------------------------------|--|
| Jmenovité vstupní napětí: | 3 V DC ± 10 % |
| Jmenovitý proud: | 330 mA ± 20 % |
| Typ baterie: | 2 ks AA 1,5 V alkalické baterie Energizer (nenabíjecí) |
| Doba provozu: | ≤ 60 minut |
| Rozlišení kamery: | 400 x 400 pixelů |
| Velikost úhlopříčky displeje LCD: | 4,3 palce |
| Minimální použitelná délka: | 240 mm |
| Předem nastavený úhel hrotu: | 20° ± 5° |

Podmínky použitelnosti

Doba použitelnosti prostředku LiNA OperåScope™ je 36 měsíců. Zkušební jednotky byly poté vystaveny simulovaným podmínkám přepravy podle normy ASTM D4169, cyklus 13, úroveň zabezpečení 1. Všechny jednotky byly zkontrolovány a podrobeny testům ověření konstrukce a splnily všechna kritéria přijatelnosti.



LiNA OPERÅSCOPE™ RECORDING MODULE:

Napájení modulu LiNA OperåScope™ Recording Module se nastavuje podle výše uvedeného bodu 4 v návodu k použití. Různá referenční čísla odkazují na příslušnou zásuvku.

- OP-RM-1-EU (pro použití ve většině zemí EU – zásuvka typu C)
- OP-RM-1-UK (pro použití ve Velké Británii a dalších zemích používajících zásuvku typu G)
- OP-RM-1-AUS (pro použití v Austrálii a dalších zemích používajících zásuvku typu I)

Stažení souborů s videozáznamy a fotografiemi po provedeném zákroku

Videozáznamy a snímky lze z prostředku LiNA OperåScope™ stáhnout prostřednictvím záznamového modulu USB prostředku LiNA OperåScope™ Recording Module a importovat je do zdravotnické dokumentace pacientky. Vzhledem k tomu, že v souboru s videozáznamem/snímek nejsou žádné identifikační údaje pacienta, měl by být stažený soubor ihned po zákroku nahrán a uložen do zdravotnické dokumentace pacienta, čímž se zajistí správné provázání mezi souborem a pacientem.

Přehrávání nahraných videí a statických snímků na počítači

1. krok
Vložte paměť USB do USB portu počítače.
2. krok
Stáhněte si a nainstalujte doplňkový software kodeků pro přehrávač Windows Media Player, například Media Player Codec Pack.
3. krok
V systému Windows klikněte na tlačítko „Start“ a vyberte složku, ve které se nachází váš soubor MPEG 4, například Moje videa nebo Moje stažené soubory.
4. krok
Klikněte na video pravým tlačítkem myši a vyberte možnost „Otevřít pomocí“ Z dostupných možností vyberte „Windows Media Player“ a začněte přehrávat video/obrázky.

Poznámka: Modul LiNA OperåScope™ Recording Module by měl být zlikvidován v souladu s místními předpisy jako elektronický odpad.

Čištění po dokončení zákroku

Modul LiNA OperåScope™ Recording Module je určen k použití mimo sterilní pole a mimo dosah pacientky. Přestože modul LiNA OperåScope™ Recording Module není určen k přímému kontaktu s pacientkou, prostředek může být při použití na operačním sále během ošetření pacientky vystaven působení tělesných tekutin a/nebo krve.

Po každém použití u pacientky dodržujte následující pokyny pro čištění/dezinfekci, abyste zajistili řádné vyčištění vnějších součástí.



MODUL LiNA OPERÅSCOPE™ RECORDING MODULE NEPONOŘUJTE DO TEKUTIN.

PŘI ČIŠTĚNÍ/DEZINFEKCI ORIENTUJTE POLOHU MODULU LiNA OPERÅSCOPE™ RECORDING MODULE TAK, ABYSTE MINIMALIZOVALI KONTAKT TEKUTINY S NAPÁJENÍM, USB, OBJEKTIVEM A KONEKTORY MONITORU.

KRYT MODULU LiNA OPERÅSCOPE™ RECORDING MODULE NELZE OTEVÍRAT ZA ÚČELEM ČIŠTĚNÍ/DEZINFEKCE.

VAROVÁNÍ: ŽÁDNÉ ÚPRAVY TOHOTO ZAŘÍZENÍ NEJSOU POVOLENY.

1. Vypněte a odpojte modul LiNA OperåScope™ Recording Module.
2. Modul LiNA OperåScope™ Recording Module a napájecí kabel položte na čistý a suchý povrch.
3. Pomocí čisticí/dezinfekční utěrky zcela otřete horní a spodní část a všechny 4 strany modulu LiNA OperåScope™ Recording Module.
4. Po očištění vizuálně zkontrolujte, zda na vnější straně nejsou zbytky tělesných tekutin nebo nečistot, a prostředek znovu otřete.
5. Modul LiNA OperåScope™ Recording Module ponechte alespoň 3 minuty v klidu.
6. Pomocí tamponu se 70% izopropylem důkladně otřete švy modulu, abyste se ujistili, že modul neobsahuje tělesné tekutiny.
7. Jakmile je modul vizuálně čistý, uložte jej do úložného prostoru pro budoucí použití.

Baterie modulu LiNA OperåScope™ Recording Module s životností 7 let:

Baterie modulu LiNA OperåScope™ Recording Module má provozní životnost 7 let od data výroby a bude vyměněna před uplynutím předpokládané doby použitelnosti.



| | |
|--|--|
| Jmenovité vstupní napětí: | 100–240 V AC ± 10 % |
| Jmenovitá vstupní frekvence: | 50–60 Hz |
| Jmenovitý vstupní proud: | 0,16–0,08 Arms při maximálním zatížení |
| Jmenovité výstupní napětí: | Výst.: 9 V DC + 5 % / -5 % |
| Jmenovitý výstupní proud výst.: | 800 mA |
| Dodávaný síťový adaptér: | Friwo Fox 9 V DC / 800 mA |

Obecné informace:

Podmínky prostředí při přepravě a skladování

| | |
|-------------------|-------------------|
| Teplota | 0 °C až +55 °C |
| Vlhkost vzduchu | 10 % až 90 % |
| Atmosférický tlak | 70 kPa až 106 kPa |

Podmínky prostředí během používání:

| | |
|-------------------|-------------------|
| Teplota | +10 °C až +40 °C |
| Vlhkost vzduchu | 35 % až 75 % |
| Atmosférický tlak | 70 kPa až 106 kPa |

Prostředek LiNA OperåScope™ splňuje normy pro EMC: Zdravotnické elektrické přístroje – ČÁST 1-2: Obecné požadavky pro základní bezpečnost a základní účinnost.

- Poznámka: toto zařízení je díky svým emisním vlastnostem vhodné pro použití v průmyslových oblastech a nemocnicích/klinikách (CISPR 11 třída A). Zařízení není určeno pro použití mimo nemocnici nebo kliniku.
- Imunita dle prostředí odborného zdravotnického zařízení.

Software s otevřeným zdrojovým kódem používaný v modulu LiNA OperåScope™ Recording Module:

Produkt obsahuje mimo jiné software s otevřeným zdrojovým kódem, licencovaný pod licencí softwaru s otevřeným zdrojovým kódem a vyvinutý třetími stranami. Tyto soubory softwaru s otevřeným zdrojovým kódem jsou chráněny autorskými právy. Vaše práva používat software s otevřeným zdrojovým kódem nad rámec pouhého spuštění programu společnosti LiNA Medicals se řídí příslušnými licenčními podmínkami softwaru s otevřeným zdrojovým kódem.

Dodržování těchto licenčních podmínek vás opravňuje k používání softwaru s otevřeným zdrojovým kódem, jak je uvedeno v příslušné licenci. V případě rozporu mezi licenčními podmínkami společnosti LiNA Medical a licenčními podmínkami softwaru s otevřeným zdrojovým kódem mají přednost podmínky softwaru s otevřeným zdrojovým kódem, pokud jde o části softwaru s otevřeným zdrojovým kódem. Software s otevřeným zdrojovým kódem je licencován bez licenčních poplatků (tj. za výkon licencovaných práv nejsou účtovány žádné poplatky, zatímco poplatky mohou být účtovány za náhradu nákladů vynaložených společností LiNA Medical).

Seznam softwarů s otevřeným zdrojovým kódem obsažených v tomto produktu a licence softwaru s otevřeným zdrojovým kódem jsou k dispozici v tomto dokumentu.

Pokud jsou programy obsažené v tomto produktu licencovány pod licencí GNU General Public License (GPL), GNU Lesser General Public License (LGPL) nebo jinou licencí softwaru s otevřeným zdrojovým kódem, která vyžaduje zpřístupnění zdrojových kódů, a tento software ještě není dodáván ve formě zdrojových kódů spolu s prostředkem, můžete si od společnosti LiNA Medical vyžádat příslušné zdrojové kódy po zaplacení poplatku ve výši 5 euro za fyzický úkon předání kopie. Svou konkrétní žádost zašlete do tří let od data zakoupení tohoto výrobku spolu s názvem a/nebo identifikačním číslem výrobku na adresu:

LiNA Medical
Formervangen 5
DK-2600 Glostrup
Dánsko
www.lina-medical.com



Záruka týkající se dalšího používání softwaru s otevřeným zdrojovým kódem:

Společnost LiNA Medical neposkytuje žádnou záruku na programy softwaru s otevřeným zdrojovým kódem obsažené v tomto prostředku, pokud jsou tyto programy použity jiným způsobem, než jak je zamýšleno společností LiNA Medical. Níže uvedené licence definují případné záruky autorů nebo poskytovatelů licencí softwaru s otevřeným zdrojovým kódem. Společnost LiNA Medical se výslovně zříká jakýchkoli záruk za vady způsobené změnou jakéhokoli programu softwaru s otevřeným zdrojovým kódem nebo konfigurace produktu. V případě, že software s otevřeným zdrojovým kódem porušuje práva duševního vlastnictví třetí strany, nemáte vůči společnosti LiNA Medical žádné záruční nároky. Případná technická podpora bude poskytována pouze pro nemoifikovaný software.

Hlášení:

Jakýkoliv nežádoucí incident, ke kterému došlo v souvislosti s prostředkem, je třeba nahlásit společnosti LiNA Medical ApS a kompetentnímu regulačnímu úřadu země, ve které je uživatel a/nebo pacient zaregistrován. Označení WWCE 2020.

URČENÉ POUŽITIE:**Pomôčka LiNA OperåScope™ na hysteroskopiu:**

Pomôčka LiNA OperåScope™ je určená na vizualizáciu kanála krčka maternice a dutiny maternice počas diagnostických a terapeutických gynekologických zákrokov.

Pomôčka LiNA OperåScope™ na cystoskopiu:

Pomôčka LiNA OperåScope™ je určená na vizualizáciu ženskej močovej trubice a dutiny močového mechúra počas diagnostických a terapeutických cystoskopických zákrokov.

POPULÁCIA PACIENTOV:

Dospievajúce alebo staršie pacientky s diagnostickými a terapeutickými gynekologickými zákrokmi, ktoré vyžadujú vizualizáciu kanála krčka maternice a dutiny maternice.

Dospievajúce alebo staršie pacientky s diagnostickými a terapeutickými cystoskopickými zákrokmi, ktoré si vyžadujú vizualizáciu močovej trubice a dutiny močového mechúra.

Medzi typy zákrokov, pri ktorých môže pomôčka LiNA OperåScope™ ponúknuť vizualizáciu, patria:

- Hysteroskopia:
 - Posúdenie abnormálneho krvácania, panvovej bolesti, amenorey a abnormálnych nálezov z hysterosalpingogramu;
 - Hodnotenie neplodnosti a straty tehotenstva;
 - Potvrdenie prítomnosti vnútro maternicového cudzieho telesa;
 - Pomáha pri lokalizácii submukózných myómov a polypov určených na odstránenie;
 - Poskytuje vizuálne vedenie pri riadenej biopsii, polypektómii, submukózne myomektómii, pretínaní vnútro maternicových adhézií a septa.
- Cystoskopia:
 - Pomôčka LiNA OperåScope™ umožňuje zobrazenie ženského močového mechúra minimálne invazívnym prístupom, pretože využíva prirodzené otvory na prístup k diagnostickému miestu.
 - Okrem toho poskytuje vizuálnu navigáciu pri nasledujúcich diagnostických a terapeutických postupoch: hodnotenie opakovaných infekcií močových ciest (IMC), panvovej bolesti, ťažkostí pri močení, inkontinencie moču, cieľná biopsia, odstraňovanie polypov a kameňov v močovom mechúre, injekcie botulotoxínu (napr. botox), zavádzanie a/alebo odstraňovanie močových stentov, kontrola poranenia močového mechúra a močovej trubice a hodnotenie priechodnosti močovodov.

OPIS VÝROBKU:

Pomôčka LiNA OperåScope™ je jednorazový batériový prístroj s kanylou a LCD displejom s 3 m káblom HDMI pripojeným k rukoväti. Pomôčka LiNA OperåScope™ je sterilizovaná použitím etylénoxidu a batéria je sterilizovaná žiarením.

Kanyla s priemerom 4,2 mm (menovitý priemer) obsahuje miniatúrnu kameru a LED osvetlenie na distálnom hrote a vopred zakrivená časť hrotu kanyly sa otáča pomocou otočného gombíka (**obrázok 7**) na rukoväti. V strede tohto otočného gombíka je zasúvací kanál na zavedenie nástrojov/príslušenstva s menovitým priemerom do 1,86 mm (5,5 Fr) a minimálnou pracovnou dĺžkou 310 mm. Distenziu a preplachovanie dutiny maternice/močového mechúra dilatčným médiom uľahčujú samostatné vstupné a výstupné uzávery s uzáverom luer lock v spodnej časti rukoväte. Kábel HDMI v spodnej časti rukoväte je možné pripojiť k externému monitoru so vstupom HDMI alebo alternatívne pripojiť k záznamovému modulu LiNA OperåScope™ Recording Module na nahrávanie videa alebo obrázkov na štandardný disk USB (dbajte na to, aby bola na disku USB voľná kapacita).

Počas prevádzky je možné optimalizovať vizualizáciu úpravou jas (osvetlenia). Jas sa ovláda tlačidlom jas (**obrázok 5**) umiestneným na rukoväti. Predvolené nastavenie je maximálny jas.

Okrem pomôcky LiNA OperåScope™ je k dispozícii aj záznamový modul LiNA OperåScope™ Recording Module (**obrázok 4**), ktorý umožňuje zachytávať statické snímky aj videozáznamy na neskoršie prezeranie. Záznamový modul LiNA OperåScope™ Recording Module sa dodáva nesterilný a je určený na pripojenie ku káblu HDMI pomôcky LiNA OperåScope™. Záznamový modul LiNA OperåScope™ Recording Module nie je určený na kontakt so sterilným poľom alebo pacientkou.

Pomôcku LiNA OperåScope™ a záznamový modul používajte pri okolitých podmienkach a skladujte pri izbovej teplote a v suchu.



LiNA OperåScope™

REF OP-201-6-I, OP-RM-1-UK, OP-RM-1-EU, OP-RM-1-AUS

Podmienky prostredia počas prepravy a skladovania:

| | |
|-------------------|-------------------|
| Teplota | 0 °C až +55 °C |
| Vlhkosť vzduchu | 10 % až 90 % |
| Atmosférický tlak | 70 kPa až 106 kPa |

Podmienky prostredia počas používania:

| | |
|-------------------|-------------------|
| Teplota | +10 °C až +40 °C |
| Vlhkosť vzduchu | 35 % až 75 % |
| Atmosférický tlak | 70 kPa až 106 kPa |

PRÍSLUŠENSTVO:

S pomôckou LiNA OperåScope™ je možné používať nasledujúce príslušenstvo:

- záznamový modul LiNA OperåScope™ Recording Module,
- komerčne dostupné hadičky na vedenie kvapalín so zasúvacím konektorom typu luer,
- komerčne dostupné nástroje/príslušenstvo na diagnostické/terapeutické použitie.

KONTRAINDIKÁCIE:

Pomôcka je kontraindikovaná na použitie pri hysteroskopii pri:

- neschopnosti rozťahnuť maternicu,
- stenóze krčka maternice,
- infekcii krčka maternice/vaginálnej infekcii,
- krvácaní z maternice alebo menštruácii,
- známom tehotenstve,
- známom karcinóme krčka maternice a/alebo maternice,
- nedávnej perforácii maternice,
- známom panvovom zápalovom ochorení (PID),
- zdravotnej kontraindikácii alebo pri neznášanlivosti anestézie.

Pomôcka je kontraindikovaná na použitie pri cystoskopii pri:

- známom panvovom zápalovom ochorení (PID),
- akútnej/známej infekcii močových ciest,
- závažnej koagulopatii.

VÝSTRAHY:

Nedodržanie všetkých pokynov alebo akýchkoľvek výstrah či bezpečnostných opatrení môže mať za následok vážne poranenie pacientky.

- Pomôcka LiNA OperåScope™ sa dodáva STERILIZOVANÁ prostredníctvom etylénoxidu (LiNA OperåScope™) a sterilizovaná žiarením (batéria). Pred použitím pomôcky starostlivo skontrolujte, či obal nie je poškodený. Pomôcku NEPOUŽÍVAJTE, ak je poškodená sterilná bariéra. Pomôcku NEPOUŽÍVAJTE po dátume expirácie. Pomôcku NEPOUŽÍVAJTE, ak je pred zákrokom vystavená nesterilným povrchom.
- Nízka intenzita svetla pri najnižšom dostupnom nastavení môže obmedziť vizualizáciu a byť nevhodná na chirurgické zákroky. Obsluha pomôcky musí pred použitím skontrolovať, či je rozsah intenzity svetla vhodný pre plánovaný zákrok.
- Ak počas posúvania v pacientke narazíte na odpor, pomôcku LiNA OperåScope™ neposúvajte dopredu.
- Nepokúšajte sa meniť tvar distálnej kanyly.
- Len na jednorazové použitie. Pomôcku LiNA OperåScope™ opakovane NEPOUŽÍVAJTE, NESPRACOVÁVAJTE ani NESTERILIZUJTE. Akékoľvek opakované spracovanie môže ohroziť fungovanie tejto pomôcky. Opakované používanie pomôcok na jednorazové použitie môže tiež zvýšiť riziko krížovej kontaminácie. Pokusy o čistenie pomôcky majú za následok riziko nesprávneho fungovania pomôcky a/alebo chybného odberu vzoriek na patológiu v dôsledku zvyškového tkaniva v pomôcke LiNA OperåScope™.
- Počas procesu ošetrovania nevyberajte batériu.
- Vždy majte k dispozícii záložnú pomôcku na okamžité použitie.
- Na použitie len s batériami dodanými s každou pomôckou LiNA OperåScope™ – batérie sú označené ako alkalické batérie AA Energizer vo vyhradenom balení batérií pre pomôcku LiNA OperåScope™.
- Pomôcka LiNA OperåScope™ je navrhnutá s výdržou batérie 60 minút.
- Ak sa počas používania vyskytne akákoľvek porucha alebo uplynie životnosť batérie, okamžite zastavte zákrok, pomaly vyberte pomôcku LiNA OperåScope™ a vymeňte ju za novú pomôcku LiNA OperåScope™.



LiNA OperåScope™

REF OP-201-6-I, OP-RM-1-UK, OP-RM-1-EU, OP-RM-1-AUS

- Prenosné RF komunikačné zariadenia (vrátane periférnych zariadení, ako sú antény káble a externé antény) sa nesmú používať vo vzdialenosti menšej ako 30 cm (12 palcov) od pomôcky LiNA OperåScope™, pretože by mohlo dôjsť k zhoršeniu výkonu pomôcky LiNA OperåScope™.
- Použitie iného ako špecifikovaného príslušenstva, snímačov a káblov môže mať za následok zmenu elektromagnetických vlastností, čo môže viesť k nesprávnej prevádzke.
- Vyhňte sa používaniu pomôcky LiNA OperåScope™ v blízkosti iných zariadení, pretože by to mohlo viesť k nesprávnej prevádzke. Ak je takéto použitie nevyhnutné, toto zariadenie a ostatné zariadenia je potrebné pozorovať, aby sa overilo, či fungujú normálne.
- Vyhňte sa ponoreniu rukoväte pomôcky LiNA OperåScope™, batérie, portu HDMI a/alebo obrazovky LCD do kúpeľa s kvapalinou. Ak sa pomôcka LiNA OperåScope™ ponorí, pred klinickým použitím sa uistite, že pomôcka LiNA OperåScope™ je vysušená a zostáva funkčná. Ak je pomôcka LiNA OperåScope™ nefunkčná, vymeňte ju za novú.
- Aby ste znížili riziko perforácie, posúvajte/manipulujte s pomôckou LiNA OperåScope™ len pri sledovaní živého obrazu kamery a s osvetlením.
- Hysteroskopické zákroky s použitím pomôcky LiNA OperåScope™ môže vykonávať len zdravotnícky pracovník, ktorý má primerané vzdelanie v oblasti hysteroskopie.
- Cystoskopické zákroky s použitím pomôcky LiNA OperåScope™ môže vykonávať len zdravotnícky pracovník, ktorý má primerané vzdelanie v oblasti cystoskopie.
- Používajte kvapalnú dilatáciu médium a dodržiavajte prísny dohľad nad príjmom a výdajom kvapaliny. Pri vnútro maternicovej instilácii presahujúcej 1 liter treba postupovať veľmi opatrne, aby sa znížila možnosť preťaženia kvapalinou.

BEZPEČNOSTNÉ OPATRENIA:

Možné všeobecné komplikácie pri používaní pomôcky LiNA OperåScope™

Pred každým použitím alebo po zmene nastavení pomôcky LiNA OperåScope™ skontrolujte, či zobrazenie pomôcky LiNA OperåScope™ poskytuje živý obraz (a nie uložený obraz) a či má správnu orientáciu obrazu.

Ak sa počas prevádzky pomôcky LiNA OperåScope™ nedodržiava nepretržité preplachovanie/irigácia, môže prevádzková teplota distálneho hrotu prekročiť 41 °C (105,8 °F).

Kým je záznamový modul LiNA OperåScope™ Recording Module pripojený k pomôcke LiNA OperåScope™, zabezpečte, aby bola napájacia jednotka ľahko prístupná, ak by bolo potrebné odpojiť napájanie.

Uistite sa, že záznamový modul LiNA OperåScope™ Recording Module a monitor sú mimo dosahu pacientky.

Možné komplikácie kontinuálnej prietokovej hysteroskopie/cystoskopie:

- hyponatriémia,
- hypotermia,
- perforácia maternice/falošná pasáž s možným poranením čreva, močového mechúra, hlavných ciiev a močovodu,
- perforácia močového mechúra/falošná pasáž s možným poranením čreva, maternice, hlavných ciiev a močovodu,
- pľúcny edém,
- cerebrálny edém,
- infekcia,
- krvácanie,
- bolesť,
- vazovagálne epizódy,
- trauma močovej trubice (špecifická pre cystoskopiu).

Na zníženie rizika uvedených komplikácií sa odporúča použiť fyziologický roztok ako dilatčné médium a obmedziť infúzný objem na menej ako 1 000 ml. Vnútro maternicovú distenziu možno zvyčajne dosiahnuť pri tlaku v rozmedzí 35 – 75 mmHg. Ak nie je systémový krvný tlak nadmerný, je zriedkavo potrebné použiť tlak vyšší ako 75 – 80 mmHg.

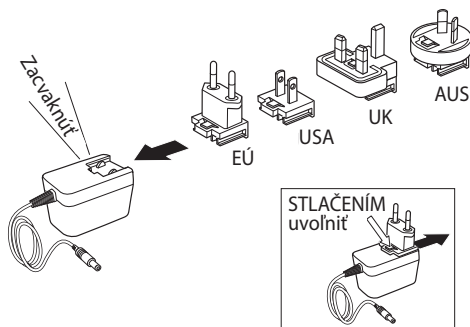
NÁVOD NA POUŽITIE:

Pred použitím tejto pomôcky si prečítajte návod na použitie!

1. Pred použitím pomôcky starostlivo skontrolujte, či obal nie je poškodený. Pomôcku NEPOUŽÍVAJTE, ak je poškodená sterilná bariéra. Pomôcku NEPOUŽÍVAJTE po dátume expirácie.
2. Sterilnou technikou vyberte pomôcku LiNA OperåScope™ zo sterilizovaného blistra (**obrázok 2**).
3. Pripojte hadičku na prívod kvapaliny k prírodnému portu a hadičku na odvod kvapaliny k odtokovému portu (**obrázok 3**).

4. Pomôcku LiNA OperåScope™ je možné pripojiť pomocou kábla HDMI k externému monitoru alebo k záznamovému modulu.

Poznámka: Pred použitím záznamového modulu LiNA OperåScope™ Recording Module sa uistite, že je pripojená zástrčka zodpovedajúca miestnej zásuvke, že je jednotka zapojená a svieti zelená kontrolka napájania.



5. Vyberte batériu zo sterilizovaného blistra a vložte ju do rukoväte pomôcky LiNA OperåScope™ (**obrázok 6**).
6. Svetelný zdroj na distálnom hrote kanyly sa rozsvieti a obraz z kamery by mal byť viditeľný na zabudovanom LCD displeji. Ak osvetlenie alebo obraz z kamery nie sú funkčné, prerušte nastavovanie a otvorte novú pomôcku LiNA OperåScope™ (**obrázok 7**).
7. Preplachujte kvapalinou cez kanylu, kým sa z hadičky nevypustia všetky vzduchové bubliny (**obrázok 8**).
8. Pomôcka LiNA OperåScope™ je teraz pripravená na použitie.
9. Kanylu s prúdiacou kvapalinou zavedte cez kanál krčka maternice alebo močovú trubicu a zároveň sledujte obraz, čo je štandardný postup pri zavádzaní pomôcky LiNA OperåScope™ (**obrázok 9**).
10. Ak je požadovaný záznam obrazu alebo videa, vložte do záznamového modulu LiNA OperåScope™ Recording Module pamäťovú kartu USB a uistite sa, že je kábel HDMI pripojený z pomôcky LiNA OperåScope™. Rukoväť pomôcky LiNA OperåScope™ aj záznamový modul majú tlačidlá na snímání obrazu a videa. Stlačením a uvoľnením tlačidla obrazu nasnímate statický obrázok. Stlačením a uvoľnením tlačidla videa spustíte nahrávanie; opätovným stlačením a uvoľnením tlačidla videa nahrávanie zastavíte (**obrázok 5**).
- Poznámka: Keď je záznamový modul LiNA OperåScope™ Recording Module zaneprázdnený, LED dióda bliká na modro.
11. Pomôcka LiNA OperåScope™ má centrálny lúmen umiestnený v otočnom gombíku rukoväte (**obrázok 9**) a poskytuje kanál na dodávanie diagnostických a terapeutických nástrojov/príslušenstva do dutiny maternice alebo močového mechúra. Nástroje/príslušenstvo s nasledujúcimi rozmermi sú kompatibilné s centrálnym lúmenom pomôcky LiNA OperåScope™:
- Maximálny vonkajší priemer: 1,86 mm (5,5 Fr)
 - Minimálna použiteľná dĺžka: 310 mm
12. Po skončení zákroku vyberte pomôcku LiNA OperåScope™ (**obrázok 10**).
13. Vyberte batérie a zlikvidujte ich. Pomôcka sa teraz môže bezpečne zlikvidovať v súlade s miestnymi predpismi (**obrázok 11**).
14. Vyberte USB kľúč zo záznamového modulu LiNA OperåScope™ Recording Module a preneste záznamy do počítača pomocou USB portu (**obrázok 12**).

Technická špecifikácia pomôcky LiNA OperåScope™

| | |
|-----------------------------------|---|
| Menovité vstupné napätie: | 3 V DC $\pm 10\%$ |
| Menovitý prúd: | 330 mA $\pm 20\%$ |
| Typ batérie: | 2 ks AA 1,5 V Energizer alkalické (nenabíjateľné) |
| Prevádzková doba: | ≤ 60 minút |
| Rozlíšenie kamery: | 400 x 400 pixelov |
| Veľkosť uhlopriečky LCD displeja: | 4,3 palca |
| Minimálna použiteľná dĺžka: | 240 mm |
| Predbežne stanovený uhol hrotu: | $20^\circ \pm 5^\circ$ |

Podmienky skladovateľnosti

Skladovateľnosť pomôcky LiNA OperåScope™ je 36 mesiacov. Testovacie jednotky boli potom podrobené simulovaným podmienkam prepravy podľa normy ASTM D4169, cyklus 13, úroveň zabezpečenia 1. Všetky jednotky boli skontrolované a podrobené overovacím testom konštrukcie a splnili všetky akceptačné kritériá.

LiNA OPERÅSCOPE™ RECORDING MODULE:

Napájanie záznamového modulu LiNA OperåScope™ Recording Module sa pripravuje podľa vyššie uvedenej odrážky 4 v návode na použitie. Rôzne referenčné čísla sa vzťahujú na príslušnú zásuvku.

- OP-RM-1-EU (na použitie vo väčšine krajín EÚ – zásuvka typu C)
- OP-RM-1-UK (na použitie v Spojenom kráľovstve a ďalších krajinách používajúcich zásuvku typu G)
- OP-RM-1-AUS (na použitie v Austrálii a iných krajinách používajúcich zásuvku typu I)

Stiahnutie súborov s videozáznamom/snímami po zákroku

Videozáznamy a snímky je možné stiahnuť z pomôcky LiNA OperåScope™ prostredníctvom USB portu záznamového modulu LiNA OperåScope™ Recording Module a importovať ich do zdravotnej dokumentácie pacientky. Keďže v súbore s videozáznamom/snímami nie sú žiadne identifikačné údaje pacientky, stiahnutý súbor je potrebné okamžite po zákroku nahráť a uložiť do zdravotnej dokumentácie pacientky, čím sa zabezpečí správne prepojenie medzi súborom a pacientkou.

Prehrávanie nahraných videozáznamov/snímkov na počítači

Krok 1

Vložte kľúč USB do portu USB počítača.

Krok 2

Stiahnite si a nainštalujte doplnkový softvér pre prehrávač Windows Media Player, napríklad Media Player Codec Pack.

Krok 3

V systéme Windows kliknite na tlačidlo „Štart“ a vyberte priečinok, v ktorom sa nachádza váš súbor MPEG 4, napríklad Moje videá alebo Moje prevzaté súbory.

Krok 4

Kliknite pravým tlačidlom myši na video a vyberte možnosť „Otvoriť pomocou“. Z dostupných možností vyberte „Windows Media Player“ a začnite prehrávať video/obrázky.

Poznámka: Záznamový modul LiNA OperåScope™ Recording Module sa musí likvidovať v súlade s miestnymi predpismi ako elektronický odpad.

Čistenie po zákroku

Záznamový modul LiNA OperåScope™ Recording Module je určený na použitie mimo sterilného poľa a mimo pacientky. Hoci záznamový modul LiNA OperåScope™ Recording Module nie je určený na priamy kontakt s pacientkou, zariadenie môže byť vystavené pôsobeniu telesných tekutín a/alebo krvi, pretože sa používa na operačnej sále počas ošetrovania pacientky.

Po každom použití u pacientky dodržiavajte nasledujúce pokyny na čistenie/dezinfekciu, aby ste zabezpečili správne čistenie vonkajších komponentov.



ZÁZNAMOVÝ MODUL LiNA OPERÅSCOPE™ RECORDING MODULE NEPONÁRAJTE.

PRI ČISTENÍ/DEZINFEKCIÍ ORIENTUJTE POLOHU ZÁZNAMOVÉHO MODULU LiNA OPERÅSCOPE™ RECORDING MODULE TAK, ABY SA MINIMALIZOVAL KONTAKT KVAPALINY S NAPÁJACÍMI KONEKTORMI, KONEKTORMI USB, SKOPU A MONITORA.

KRYT ZÁZNAMOVÉHO MODULU LiNA OPERÅSCOPE™ RECORDING MODULE NESMIE BYŤ PRI ČISTENÍ/DEZINFEKCIÍ OTVORENÝ.

VÝSTRAHA: ÚPRAVY TEJTO POMÔCKY NIE SÚ POVOLENÉ.

1. Vypnite a odpojte záznamový modul LiNA OperåScope™ Recording Module.
2. Záznamový modul LiNA OperåScope™ Recording Module a napájací kábel položte na čistý a suchý povrch.
3. Pomocou čistiacej/dezinfekčnej utierky úplne utrite hornú a dolnú časť a všetky 4 strany záznamového modulu LiNA OperåScope™ Recording Module.
4. Po utretí vizuálne skontrolujte, či na vonkajšej strane nie sú zvyšky telesných tekutín alebo nečistôt, a utretie zopakujte.
5. Záznamový modul LiNA OperåScope™ Recording Module nechajte stáť aspoň 3 minúty.



LiNA OperåScope™

REF OP-201-6-I, OP-RM-1-UK, OP-RM-1-EU, OP-RM-1-AUS

- Pomocou tampónu navlhčeného v 70 % izopropyle dôkladne utrite spoje modulu, aby ste sa uistili, že na module nie sú telesné tekutiny.
- Keď je modul vizuálne čistý, umiestnite ho do úložného priestoru na ďalšie použitie.

Batéria záznamového modulu LiNA OperåScope™ Recording Module so 7-ročnou životnosťou:

Batéria záznamového modulu LiNA OperåScope™ Recording Module má prevádzkovú životnosť 7 rokov od dátumu výroby a bude vymenená pred predpokladaným uplynutím doby skladovania.

| | |
|---|--|
| Menovité vstupné napätie: | 100 – 240 V AC ±10 % |
| Menovitá vstupná frekvencia: | 50 – 60 Hz |
| Menovitý vstupný prúd: | 0,16 – 0,08 Arms pri maximálnom zaťažení |
| Menovité výstupné napätie: | Uvýst: 9 V DC +5 %/-5 % |
| Menovitý výstupný prúd I_{výst}: | 800 mA |
| Dodávaný sieťový adaptér: | Friwo Fox 9 V DC/800 mA |

Všeobecné informácie:

Podmienky prostredia počas prepravy a skladovania:

| | |
|-------------------|-------------------|
| Teplota | 0 °C až +55 °C |
| Vlhkosť vzduchu | 10 % až 90 % |
| Atmosférický tlak | 70 kPa až 106 kPa |

Podmienky prostredia počas používania:

| | |
|-------------------|-------------------|
| Teplota | +10 °C až +40 °C |
| Vlhkosť vzduchu | 35 % až 75 % |
| Atmosférický tlak | 70 kPa až 106 kPa |

Pomôcka LiNA OperåScope™ spĺňa normy pre EMC: Zdravotnícka elektrická pomôcka – ČASŤ 1-2: Všeobecné požiadavky pre základnú bezpečnosť a základný výkon.

- Poznámka: toto zariadenie je vďaka svojim emisným vlastnostiam vhodné na použitie v priemyselných oblastiach a nemocniciach/klinických pracoviskách (CISPR 11 trieda A). Zariadenie nie je určené na použitie mimo nemocnice alebo klinického pracoviska.
- Odolnosť podľa prostredia odborného zdravotníckeho zariadenia.

Softvér s otvoreným zdrojovým kódom používaný v záznamovom module

LiNA OperåScope™ Recording Module:

Výrobok obsahuje okrem iného softvér s otvoreným zdrojovým kódom, licencovaný pod licenciou na softvér s otvoreným zdrojovým kódom a vyvinutý tretími stranami. Tieto súbory softvéru s otvoreným zdrojovým kódom sú chránené autorskými právami. Vaše práva na používanie softvéru s otvoreným zdrojovým kódom nad rámec samotného vykonávania programu spoločnosti LiNA Medicals sa riadia príslušnými licenčnými podmienkami softvéru s otvoreným zdrojovým kódom.

Dodržiavanie týchto licenčných podmienok vás oprávňuje používať softvér s otvoreným zdrojovým kódom tak, ako to predpokladá príslušná licencia. V prípade rozporu medzi licenčnými podmienkami spoločnosti LiNA Medical a licenčnými podmienkami softvéru s otvoreným zdrojovým kódom majú v súvislosti s časťami softvéru s otvoreným zdrojovým kódom prednosť podmienky softvéru s otvoreným zdrojovým kódom. Softvér s otvoreným zdrojovým kódom je licencovaný bez licenčných poplatkov (t. j. za výkon licencovaných práv sa neúčtujú žiadne poplatky, zatiaľ čo poplatky sa môžu účtovať za náhradu nákladov, ktoré vznikli spoločnosti LiNA Medical).

Zoznam programov s otvoreným zdrojovým kódom obsiahnutých v tomto výrobku a licencie softvéru s otvoreným zdrojovým kódom sú k dispozícii v tomto dokumente.

Ak sú programy obsiahnuté v tomto výrobku licencované pod GNU General Public License (GPL), GNU Lesser General Public License (LGPL) alebo inou licenciou softvéru s otvoreným zdrojovým kódom, ktorá vyžaduje sprístupnenie zdrojového kódu, a tento softvér ešte nie je dodaný vo forme zdrojového kódu spolu s pomôckou, môžete si od spoločnosti LiNA Medical vyžiadať príslušný zdrojový kód zaplatením poplatku 5,- EUR za fyzický úkon prenosu kópie. Svoju konkrétnu žiadosť zašlite do troch rokov od dátumu zakúpenia tohto výrobku spolu s názvom a/alebo identifikačným číslom výrobku na adresu:

LiNA Medical
Formervangen 5
DK-2600 Glostrup
Dánsko
www.lina-medical.com



LiNA OperåScope™

REF OP-201-6-I, OP-RM-1-UK, OP-RM-1-EU, OP-RM-1-AUS

Záruka týkajúca sa ďalšieho používania softvéru s otvoreným zdrojovým kódom:

Spoločnosť LiNA Medical neposkytuje žiadnu záruku na programy s otvoreným zdrojovým kódom obsiahnuté v tejto pomôcke, ak sa tieto programy používajú iným spôsobom, ako je vykonávanie programu určené spoločnosťou LiNA Medical. Nižšie uvedené licencie definujú prípadnú záruku autorov alebo poskytovateľov licencie na softvér s otvoreným zdrojovým kódom. Spoločnosť LiNA Medical výslovne odmieta akékoľvek záruky za chyby spôsobené zmenou akéhokoľvek softvéru s otvoreným zdrojovým kódom alebo konfigurácie výrobku. V prípade, že softvér s otvoreným zdrojovým kódom porušuje práva duševného vlastníctva tretej strany, nemáte voči spoločnosti LiNA Medical žiadne záručné nároky. Prípadná technická podpora sa poskytuje len pre nemodifikovaný softvér.

Hlásenie:

Akýkoľvek závažný incident, ktorý sa vyskytol v súvislosti s pomôckou, je potrebné nahlásiť spoločnosti LiNA Medical ApS a príslušnému regulačnému orgánu krajiny, v ktorej sa nachádza používateľ a/alebo pacient. Označenie WWCE 2020.



LiNA OperåScope™

REF OP-201-6-I, OP-RM-1-UK, OP-RM-1-EU, OP-RM-1-AUS

tr

KULLANIM AMACI:

Histeroskopi için LiNA OperåScope™:

LiNA OperåScope™, tanısal ve terapötik jinekolojik prosedürler sırasında servikal kanalın ve uterus boşluğunun görüntülenmesinde kullanılmak üzere tasarlanmıştır.

Sistoskopi için LiNA OperåScope™:

LiNA OperåScope™, tanısal ve terapötik sistoskopik prosedürler sırasında kadın üretrası ve mesane boşluğunun görüntülenmesinde kullanılmak üzere tasarlanmıştır.

HASTA POPÜLASYONU:

Servikal kanalın ve uterus boşluğunun görüntülenmesini gerektiren tanısal ve terapötik jinekolojik prosedürleri olan ergen veya daha yaşlı hastalar.

Üretra ve mesane boşluğunun görüntülenmesini gerektiren tanısal ve terapötik sistoskopi prosedürleri olan ergen veya daha yaşlı kadın hastalar.

LiNA OperåScope™'ün görselleştirme sağlayabileceği prosedür türleri şunlardır:

- Histeroskopi:
 - Anormal kanama, pelvik ağrı, amenore ve histerosalpingogramdan anormal bulguların değerlendirilmesi;
 - İnfertilite ve gebelik kaybının değerlendirilmesi;
 - Rahim içi yabancı cisim varlığının doğrulanması;
 - Çıkarılması hedeflenen submukozal fibroidlerin ve poliplerin yerinin belirlenmesine yardımcı olur;
 - Yönlendirilmiş biyopsi, polipektomi, submukozal miyomektomi, rahim içi adezyonların ve septaların transeksiyonu esnasında görsel rehberlik sağlar.
- Sistoskopi:
 - LiNA OperåScope™, tanı bölgesine erişmek için doğal delikleri kullanarak, kadın idrar kesesinin minimal invazif bir yaklaşımla görüntülenmesine olanak tanır.
 - Ayrıca, şu tanısal ve terapötik prosedürler esnasında görsel rehberlik sağlar: tekrarlayan İdrar Yolu Enfeksiyonlarının (IYE) değerlendirilmesi, pelvik ağrı, idrar yapmada zorluk, idrar kaçırma, yönlendirilmiş biyopsi, poliplerin ve mesane taşlarının çıkarılması, Botulinum toksin enjeksiyonları (ör. Botoks), üriner stentlerin yerleştirilmesi ve/veya çıkarılması, Mesane ve üretranın yaralanma açısından incelenmesi ve üreteral açıklığın değerlendirilmesi.

ÜRÜN AÇIKLAMASI:

LiNA OperåScope™, bir kanülü ve sapa takılmış 3 m HDMI kablolu LCD ekranı olan, tek kullanımlık, pille çalışan bir skoptur. LiNA OperåScope™, etilen oksit aracılığıyla steril biçimde temin edilir ve pil takımı, radyasyon aracılığıyla steril biçimde temin edilir.

4,2 mm (nominal) çaplı kanül, distal ucunda minyatür bir kamera ve LED aydınlatma içerir ve kanülün önceden kavisli bir uç kısmı, sap üzerindeki döndürme düğmesi (**Şekil 7**) ile döndürülür. Bu döndürme düğmesinin merkezi, nominal çapı en fazla 1,86 mm (5,5 Fr) ve minimum çalışma uzunluğu 310 mm olan aletlerin/aksesuarların yerleştirilmesine yönelik yerleştirme kanalıdır. Rahim/mesane boşluğunun distansiyon ortamı ile distansiyonu ve yıkanması, sapın altındaki ayrı giriş ve çıkış luer kilitleme vanaları ile kolaylaştırılmıştır. Sapın altındaki HDMI kablosu, HDMI girişi ile harici bir monitöre bağlanabilir veya alternatif olarak, video veya resimlerin standart bir USB belleğe kaydedilmesi için LiNA OperåScope™ Recording Module'a bağlanabilir (Lütfen USB bellekte boş depolama kapasitesi olmasına dikkat edin).

Çalışma esnasında, parlaklık (aydınlatma) ayarlanarak, görselleştirme optimize edilebilir. Parlaklık, sap üzerinde bulunan parlaklık düğmesi (**Şekil 5**) ile kontrol edilir. Varsayılan ayar, maksimum parlaklıktır.

LiNA OperåScope™'a ek olarak, LiNA OperåScope™ Recording Module (**Şekil 4**), daha sonra görüntülenmek üzere hem hareketsiz hem de video görüntüleri yakalamak için kullanılabilir. LiNA OperåScope™ Recording Module, steril olmayan biçimde temin edilir ve LiNA OperåScope™ HDMI kablosuna bağlanmak üzere tasarlanmıştır. LiNA OperåScope™ Recording Module, steril alan veya hasta ile temas edecek şekilde tasarlanmamıştır.

LiNA OperåScope™ ve Recording Module, ortam koşullarında kullanılmalı ve oda sıcaklığında ve kurukoşullarda saklanmalıdır.



LiNA OperåScope™

REF OP-201-6-I, OP-RM-1-UK, OP-RM-1-EU, OP-RM-1-AUS

Nakliye ve depolama sırasında çevresel koşullar

| | |
|-------------------|--------------------|
| Sıcaklık | 0°C ila +55°C |
| Hava nemi | %10 ila %90 |
| Atmosferik basınç | 70 kPa ila 106 kPa |

Kullanım sırasında çevresel koşullar:

| | |
|-------------------|--------------------|
| Sıcaklık | +10°C ila +40°C |
| Hava nemi | %35 ila %75 |
| Atmosferik basınç | 70 kPa ila 106 kPa |

AKSESUARLAR:

Aşağıdaki aksesuarlar LiNA OperåScope™ ile kullanılabilir:

- LiNA OperåScope™ Recording Module,
- Piyasada bulunan, erkek luer kilitleme sıvı yönetimi hortumu,
- Piyasada bulunan, tanısal/terapötik kullanıma yönelik aletler/aksesuarlar.

KONTRENDİKASYONLAR:

Cihaz aşağıdaki durumlarda Histeroskopi kullanımı için kontrendikedir:

- Rahmin genişlememesi,
- Servikal Stenoz,
- Servikal/Vajinal enfeksiyon,
- Rahim kanaması veya regl,
- Bilinen Gebelik,
- Servikte ve/veya uterusu bilinen karsinom,
- Yakın zamanda rahim perforasyonu,
- Bilinen Pelvik İnflamatuvar Hastalık (PID),
- Anesteziye karşı tıbbi kontrendikasyon veya intolerans.

Cihaz, aşağıdaki durumlarda Sistoskopi kullanımı için kontrendikedir:

- Bilinen Pelvik İnflamatuvar Hastalık (PID),
- Akut/bilinen İdrar Yolu Enfeksiyonları,
- Şiddetli Koagülopati.

UYARILAR:

Tüm talimatlara uyulmaması veya herhangi bir uyarı ya da önlemin dikkate alınmaması halinde, hasta ciddi şekilde yaralanabilir.

- LiNA OperåScope™, etilen oksit (LiNA OperåScope™) ve radyasyon sterilizasyonu (Pil) aracılığıyla STERİL biçimde temin edilir. Kullanmadan önce ambalajda herhangi bir hasar olup olmadığını dikkatlice inceleyin. Steril bariyer hasarlıysa cihazı kullanmaya ÇALIŞMAYIN. Son kullanma tarihi geçmişse KULLANMAYIN. Prosedürden önce steril olmayan yüzeylere maruz kalırsa cihazı KULLANMAYIN.
- Mevcut en düşük ayardaki düşük ışık yoğunluğu, görselleştirmeyi sınırlayabilir ve cerrahi prosedürler için uygun olmayabilir. Cihaz operatörleri, kullanım öncesinde ışık yoğunluğu aralığının, planlanan prosedür için uygun olup olmadığını kontrol etmelidir.
- Hastanın içindeyken dirençle karşılaşılması halinde LiNA OperåScope™'u iletmemeyin.
- Distal kanülün şeklini değiştirmeye çalışmayın.
- Sadece tek kullanımlıktır. LiNA OperåScope™ ürününü yeniden KULLANMAYIN, yeniden İŞLEMİYİN veya yeniden sterilize ETMEYİN. Herhangi bir yeniden işleme bu cihazın işlevlerine engel olabilir. Tek kullanımlık cihazların tekrar kullanılması çapraz kontaminasyon riskini de artırabilir. Cihazı temizleme girişimleri, LiNA OperåScope™ içindeki kalıntı doku nedeniyle cihazın arızalanması ve/veya hatalı patoloji numunesi alınması riskine yol açar.
- Tedavi süreci sırasında pili çıkarmayın.
- Acil kullanım için daima bir yedek cihazı hazırda bulundurun.
- Yalnızca her bir LiNA OperåScope™ ile birlikte verilen pillerle kullanım içindir; piller, LiNA OperåScope™ için özel bir pil paketinde AA Energizer alkalın piller olarak tanımlanır.
- LiNA OperåScope™, 60 dakikalık pil ömrü ile tasarlanmıştır.
- Kullanım esnasında bir arıza meydana gelirse veya pil ömrü sona ererse, prosedürü derhal durdurun ve LiNA OperåScope™'u yavaşça geri çekin ve yeni bir LiNA OperåScope™ ile değiştirin.
- Taşınabilir RF iletişim ekipmanları (anten kabloları ve harici antenler gibi çevre birimleri dahil), LiNA OperåScope™ ürününün 30 cm (12 inç) yakınında kullanılmamalıdır, çünkü LiNA OperåScope™ performansı düşebilir.



- Belirtilenler dışında aksesuarların, dönüştürücülerin ve kabloların kullanılması halinde, elektromanyetik özelliklerde, potansiyel olarak hatalı çalışmaya neden olabilecek değişikliğe yol açabilir.
- LiNA OperâScope™ ekipmanının diğer ekipmanların yanında kullanılmasından kaçınılmalıdır, çünkü bu, hatalı çalışmaya neden olabilir. Böyle bir kullanım gerekiyorsa, bu ekipman ve diğer ekipmanlar, normal çalıştıklarını doğrulamak için gözlemlenmelidir.
- LiNA OperâScope™ sapını, pili, HDMI portunu ve/veya LCD ekranı sıvı banyosuna sokmaktan kaçının. LiNA OperâScope™ sıvıya batırılırsa, klinik kullanım öncesinde LiNA OperâScope™'un kurduğundan ve çalışır durumda olduğundan emin olun. LiNA OperâScope™ çalışmıyorsa, yeni bir cihazla değiştirin.
- Perforasyon riskini azaltmak için, LiNA OperâScope™'u yalnızca canlı bir kamera görüntüsünü ve aydınlatmayı izlerken ilerletin/manipüle edin.
- LiNA OperâScope™'un kullanıldığı histeroskopi prosedürleri yalnızca, histeroskopi konusunda yeterli eğitime sahip tıp uzmanları tarafından gerçekleştirilmelidir.
- LiNA OperâScope™'un kullanıldığı sistoskopi prosedürleri yalnızca, sistoskopi konusunda yeterli eğitime sahip tıp uzmanları tarafından gerçekleştirilmelidir.
- Sıvı distansiyon ortamı kullanılır ve sıvı alımı ile çıkışına dair sıkı gözetim sürdürülmelidir. Aşırı sıvı yüklenmesi olasılığını azaltmak için, 1 litreyi aşan intrauterin instilasyon çok dikkatli bir şekilde takip edilmelidir.

ÖNLEMLER:

LiNA OperâScope™ kullanımı ile ilgili olası genel komplikasyonlar

Her kullanımdan önce veya LiNA OperâScope™ ayarlarının değiştirilmesinden sonra, LiNA OperâScope™ görünümünün canlı bir görüntü (kayıtlı bir görüntü yerine) sağladığından ve doğru görüntü yönüne sahip olduğundan emin olun.

LiNA OperâScope™'un çalışması esnasında sürekli yıkama/irigasyon yapılmazsa, distal uç çalışma sıcaklığı 41°C'yi (105,8°F) aşabilir.

LiNA OperâScope™ Recording Module, LiNA OperâScope™'a bağlanırken, gücün kesilmesi gereken durumlarda güç kaynağı ünitesine kolayca erişilebildiğinden emin olun.

LiNA OperâScope™ Recording Module ve monitörün, hastanın erişemeyeceği bir yerde olduğundan emin olun.

Sürekli Akış Histeroskopi/Sistoskopinin olası komplikasyonları:

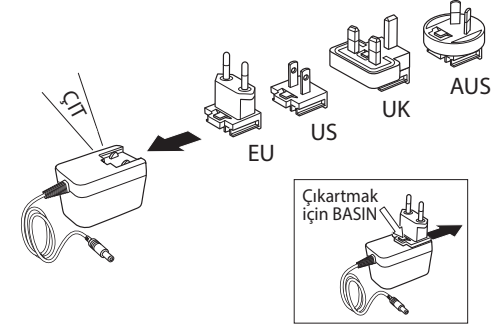
- Hiponatremi,
- Hipotermi,
- Bağırsak, mesane, büyük kan damarları ve üreterde olası yaralanma ile sonuçlanan rahim perforasyonu/yanlış geçit,
- Bağırsak, uterus, büyük kan damarları ve üreterde olası yaralanma ile sonuçlanan mesane perforasyonu/yanlış geçit,
- Akciğer ödemi,
- Serebral ödem,
- Enfeksiyon,
- Kanama,
- Ağrı,
- Vazovagal ataklar,
- Üretral travma (Sistoskopiye özgü).

Yukarıdaki komplikasyonlara ilişkin riski azaltmak için, distansiyon ortamı olarak normal salin kullanılması ve infüzyon hacminin 1000 ml'den az olacak şekilde sınırlandırılması önerilir. Rahim içi distansiyon genellikle 35-75 mmHg aralığındaki basınçlarla gerçekleştirilebilir. Sistemik kan basıncı aşırı olmadığı sürece, 75-80 mmHg'den daha yüksek basınçların kullanılması nadiren gereklidir.

KULLANMA TALİMATLARI:

Bu cihazı kullanmadan önce kullanma talimatlarını okuyun!

1. Kullanmadan önce ambalajda herhangi bir hasar olup olmadığını dikkatlice inceleyin. Steril bariyer hasarlıysa cihazı kullanmaya ÇALIŞMAYIN. Son kullanma tarihi geçmişse KULLANMAYIN.
2. Steril teknik kullanarak, LiNA OperâScope™'u sterilize edilmiş blisterden çıkarın (**Şekil 2**).
3. İçeri akış sıvı hortumunu, içeri akış portuna ve dışarı akış hortumunu dışarı akış portuna takın (**Şekil 3**).
4. LiNA OperâScope™, harici bir monitöre veya Recording Module'a HDMI kablosuyla bağlanabilir. Not: LiNA OperâScope™ Recording Module'u kullanmadan önce, yerel duvar prizlerine uygun duvar fişini taktığınızdan ve ünitenin fişe takılı olduğundan ve yeşil güç ışığının yandığından emin olun.



1. Pili, sterilize edilmiş blisterden çıkarın ve pili LiNA OperâScope™ sapına yerleştirin (**Şekil 6**).
2. Kanülün distal ucundaki ışık kaynağı yanacaktır ve kamera görüntüsü, yerleşik LCD'de görünür olacaktır. Aydınlatma veya kamera görüntüsü işlevsel değilse, kurulumu durdurun ve yeni bir LiNA OperâScope™ açın (**Şekil 7**).
3. Hortumdaki tüm hava kabarcıkları temizlenene kadar, sıvıyı kanülden geçirin (**Şekil 8**).
4. LiNA OperâScope™ artık kullanıma hazırdır.
5. Sıvı akarken, LiNA OperâScope™'un takılması için standart prosedürde olduğu gibi, görüntü izlenirken kanül, servikal kanaldan veya Üretradan yerleştirilir (**Şekil 9**).
6. Resim veya video kaydı isteniyorsa, LiNA OperâScope™ Recording Module'a bir USB bellek çubuğu takın ve HDMI kablosunun LiNA OperâScope™'tan bağlandığından emin olun. Hem LiNA OperâScope™ sapında hem de Recording Module'da resim ve video yakalama düğmeleri vardır. Hareketsiz bir görüntü yakalamak için, resim düğmesine basın ve bırakın. Kaydı başlatmak için video düğmesine basın ve bırakın; kaydı durdurmak için video düğmesine tekrar basın ve bırakın (**Şekil 5**).
Not: LiNA OperâScope™ Recording Module meşgul olduğunda LED ışık mavi renkli olarak yanıp sönecektir.
7. LiNA OperâScope™'ta, sapın döndürme düğmesinde merkezi lümen vardır (**Şekil 9**) ve tanı ve tedavi aletlerini/aksesuarlarını rahim veya mesane boşluğuna iletmek için bir kanal sağlanır. Aşağıdaki boyutlarda olan aletler/aksesuarlar, LiNA OperâScope™ merkezi lümen ile uyumludur:
 - Maksimum dış çap: 1,86 mm (5,5 Fr)
 - Minimum kullanılabilir uzunluk: 310 mm
8. Prosedür tamamlandıktan sonra, LiNA OperâScope™'u çıkarın (**Şekil 10**).
9. Pil takımını çıkarın ve pili atın. Cihaz artık, yerel yönetmeliklere uygun olarak güvenli bir şekilde atılabilir (**Şekil 11**).
10. USB çubuğunu LiNA OperâScope™ Recording Module'dan çıkarın ve bir USB portu kullanarak kayıtları bir bilgisayara aktarın (**Şekil 12**).

LiNA OperâScope™ için teknik özellikler

| | |
|---------------------------------|--|
| Nominal giriş gerilimi: | 3V DC±%10 |
| Nominal Akım: | 330 mA±%20 |
| Pil tipi: | 2 adet AA 1,5V Energizer Alkalın (Şarj edilemez) |
| Çalışma süresi: | ≤60 dakika |
| Kamera çözünürlüğü: | 400x400 piksel |
| LCD ekranın diyagonal boyutu: | 4,3 inç |
| Minimum kullanılabilir uzunluk: | 240 mm |
| Önceden sabitlenmiş uç açısı: | 20°±5° |

Raf Ömrü Koşulları

LiNA OperâScope™ için raf ömrü 36 aydır. Test üniteleri daha sonra ASTM D4169, Döngü 13, güvence seviyesi 1 uyarınca simüle edilmiş sevkıyat koşullarına tabi tutulmuştur. Tüm üniteler incelenmiş, tasarım doğrulama testine tabi tutulmuş ve tüm kabul kriterlerini karşılamıştır.



LiNA OperåScope™

REF OP-201-6-I, OP-RM-1-UK, OP-RM-1-EU, OP-RM-1-AUS

LiNA OPERÅSCOPE™ RECORDING MODULE:

LiNA OperåScope™ Recording Module güç kaynağı, Kullanma Talimatlarında yukarıdaki madde 4'e göre hazırlanır. Farklı ref. numaraları, ilgili soketi ifade eder.

- OP-RM-1-EU (çoğu AB ülkesinde kullanım için - soket tipi C)
- OP-RM-1-UK (Birleşik Krallık'ta ve G tipi soket kullanan diğer ülkelerde kullanım için)
- OP-RM-1-AUS (Avustralya'da ve soket tipi I kullanan diğer ülkelerde kullanım için)

Prosedür Sonrasında Video/Hareketsiz Görüntü Dosyalarının İndirilmesi

Video ve hareketsiz görüntüler, LiNA OperåScope™ Recording Module USB aracılığıyla LiNA OperåScope™'tan indirilebilir ve hastanın tıbbi kayıtlarına aktarılabilir. Video/hareketsiz görüntü dosyasında hastayı tanımlayan bilgiler olmadığından, indirilen dosya, prosedürden hemen sonra hastanın tıbbi kaydına yüklenmeli ve kaydedilmelidir, böylelikle dosya ile hasta arasında uygun bağlantı sağlanır.

Kaydedilen Video/Hareketsiz görüntülerin bilgisayarda oynatılması

Adım 1

USB çubuğunu bilgisayarın USB portuna takın.

Adım 2

Windows Media Player için Media Player Codec Pack gibi bazı ek kodek yazılımlarını indirin ve yükleyin.

Adım 3

Windows'ta "Start" (Başlat) öğesine tıklayın ve örneğin My Videos (Videolarım) veya My Downloads (İndirilenler)

gibi MPEG 4 dosyanızın bulunduğu klasörü seçin.

Adım 4

Videoya sağ tıklayın ve "Open With" (Birlikte Aç) öğesini seçin. Videonuzu/Görüntülerinizi oynatmaya başlamak için, mevcut seçenekler arasından "Windows Media Player" öğesini seçin.

Not: LiNA OperåScope™ Recording Module, elektronik atık olarak yerel yönetmeliklere göre elden çıkarılmalıdır.

Prosedür Sonrası Temizlik

LiNA OperåScope™ Recording Module, steril alan dışında ve hastadan uzakta kullanılmak üzere tasarlanmıştır. LiNA OperåScope™ Recording Module'un hastayla doğrudan temas etmesi amaçlanmamış olsa da, ameliyathanede hasta tedavisi esnasında kullanılırken cihaz vücut sıvılarına ve/veya kana maruz kalabilir.

Her hastada kullanımın ardından, harici bileşenlerin uygun şekilde temizlenmesini sağlamak için aşağıdaki temizleme/dezenfekte etme talimatlarını uygulayın.



LiNA OPERÅSCOPE™ RECORDING MODULE'U SIVIYA BATIRMAYIN.

TEMİZLEME/DEZENFEKTE ETME İŞLEMLERİ ESNASINDA, GÜÇ, USB, SKOP VE MONİTÖR KONEKTÖRLERİNİN SIVIYLA TEMASINI EN AZA İNDİRMEK İÇİN LiNA OPERÅSCOPE™ RECORDING MODULE'UN KONUMUNU DÜZENLEYİN.

LiNA OPERÅSCOPE™ RECORDING MODULE KASASI, TEMİZLEME/DEZENFEKTE ETME İŞLEMLERİ İÇİN AÇILMAMALIDIR.

UYARI: BU EKİPMANDA HiÇBİR DEĞİŞİKLİK YAPILMASINA İZİN VERİLMEZ.

- LiNA OperåScope™ Recording Module'u kapatın ve fişini çekin.
- LiNA OperåScope™ Recording Module'u ve güç kablosunu, temiz, kuru bir yüzeye yerleştirin.
- Bir temizlik mendili/dezenfektan mendil kullanarak LiNA OperåScope™ Recording Module'un üstünü, altını ve 4 tarafını tamamen silin.
- Silme işleminden sonra, dış yüzeyde vücut sıvıları veya kir kalıntısı olup olmadığına bakarak kontrol edin ve silme işlemi tekrarlayın.
- LiNA OperåScope™ Recording Module'u en az 3 dakika bekletin.
- %70'lik İzopropil sürüntü kullanarak, Modülün dışı yerlerini iyice silin ve Modülde vücut sıvısı kalmadığından emin olun.
- Modül temiz görüldüğünde, cihazı ileride kullanmak üzere bir depolama alanına yerleştirin.

LiNA OperåScope™ Recording Module Pili 7 Yıllık Raf Ömrü:

LiNA OperåScope™ Recording Module pili, üretim tarihinden itibaren 7 yıllık bir çalışma ömrüne sahiptir ve öngörülen raf ömrü sona ermeden önce değiştirilecektir.



LiNA OperåScope™

REF OP-201-6-I, OP-RM-1-UK, OP-RM-1-EU, OP-RM-1-AUS

| | |
|----------------------------------|-------------------------------|
| Nominal giriş gerilimi: | 100-240 V AC±%10 |
| Nominal giriş frekansı: | 50-60 Hz |
| Nominal giriş akımı: | Maksimum yükte 0,16-0,08 Arms |
| Nominal çıkış gerilimi: | Uout: 9 V DC +%5/-%5 |
| Nominal çıkış akımı lout: | 800 mA |
| Sağlanan AC adaptörü: | Friwo Fox 9 V DC/800 mA |

Genel bilgiler:

Nakliye ve depolama sırasında çevresel koşullar

| | |
|-------------------|--------------------|
| Sıcaklık | 0°C ila +55°C |
| Hava nemi | %10 ila %90 |
| Atmosferik basınç | 70 kPa ila 106 kPa |

Kullanım sırasında çevresel koşullar:

| | |
|-------------------|--------------------|
| Sıcaklık | +10°C ila +40°C |
| Hava nemi | %35 ila %75 |
| Atmosferik basınç | 70 kPa ila 106 kPa |

LiNA OperåScope™, EMC: Tıbbi Elektrikli Ekipman - BÖLÜM 1-2: Temel güvenlik ve temel performans için genel gereklilikler için olan standartlara uygundur.

- Not: Bu ekipmanın emisyon özellikleri, bu ekipmanı endüstriyel alanlarda ve hastanelerde/kliniklerde kullanım için uygun hale getirmektedir (CISPR 11 Sınıf A). Ekipman, hastane veya klinik ortamı dışında kullanım için endike değildir.
- Profesyonel sağlık tesisi ortamına göre bağışıklık.

LiNA OperåScope™ Recording Module'da kullanılan Açık Kaynak Yazılımı:

Ürün, diğer öğelerin yanı sıra bir Açık Kaynak Yazılım Lisansı altında lisanslanan ve üçüncü taraflarca geliştirilen Açık Kaynak Yazılımı içerir. Bu Açık Kaynak Yazılım dosyaları, telif hakkı ile korunmaktadır. Açık Kaynak Yazılımı sadece LiNA Medicals programının yürütülmesinin ötesinde kullanma haklarını, ilgili Açık Kaynak Yazılım lisans koşullarına tabidir.

Bu lisans koşullarına uymazın, ilgili lisansta öngörüldüğü şekilde Açık Kaynak Yazılımı kullanma hakkını size verecektir. LiNA Medical lisans koşulları ile Açık Kaynak Yazılımı lisans koşulları arasında uyumsuzluklar olması durumunda, yazılımın Açık Kaynak Yazılımı bölümleri ile ilgili olarak Açık Kaynak Yazılımı koşulları geçerli olacaktır. Açık Kaynak Yazılımı telifsiz olarak lisanslanmıştır (yani, lisanslı hakların kullanılması için herhangi bir ücret talep edilmez, ancak LiNA Medical tarafından yapılan masrafların geri ödenmesi için ücret talep edilebilir).

Bu üründe bulunan Açık Kaynak Yazılım programlarının bir listesi ve Açık Kaynak Yazılım lisansları bu belgede mevcuttur.

Bu üründe yer alan programlar, GNU Genel Kamu Lisansı (GPL), GNU Kısıtlı Genel Kamu Lisansı (LGPL) veya kaynak kodunun kullanıma sunulmasını gerektiren başka bir Açık Kaynak Yazılım lisansı altında lisanslanmış ve bu yazılım, halihazırda cihazla birlikte kaynak kodu biçiminde teslim edilmemişse, kopyanın fiziksel olarak aktarılması için 5 Euro ücret ödeyerek, ilgili kaynak kodunu LiNA Medical'dan talep edebilirsiniz. Lütfen, özel talebinizi, bu ürünün satın alındığı tarihten itibaren üç yıl içinde, ürünün Adı ve/veya Kimlik numarası ile birlikte aşağıdaki adrese gönderin:

LiNA Medical
Formervangen 5
DK-2600 Glostrup
Danimarka
www.lina-medical.com

Açık Kaynak Yazılımın daha fazla kullanımına ilişkin garanti:

LiNA Medical, bu cihazda yer alan Açık Kaynak Yazılım programlarının, LiNA Medical tarafından amaçlanan program yürütme dışında herhangi bir şekilde kullanılması durumunda, Açık Kaynak Yazılım programları için hiçbir garanti vermez. Aşağıda listelenen lisanslar, mevcut ise, Açık Kaynak Yazılımın yazarlarının veya lisans verenlerinin garantisini tanımlar. LiNA Medical, herhangi bir Açık Kaynak Yazılım programının veya ürünün yapılandırmasının değiştirilmesinden kaynaklanan kusurlar için herhangi bir garantiyi özellikle reddeder. Açık Kaynak Yazılımın, üçüncü bir tarafın fikri mülkiyet haklarını ihlal etmesi durumunda, LiNA Medical'a karşı hiçbir garanti talebiniz yoktur. Mevcut ise, teknik destek yalnızca, değiştirilmemiş yazılım için sağlanacaktır.

Olay bildirme:

Cihazla ilgili olarak meydana gelen herhangi bir ciddi olay LiNA Medical ApS'ye ve kullanıcının ve/veya hastanın bulunduğu ülkenin yetkili düzenleyici kurumuna bildirilmelidir. WWCE işareti 2020.